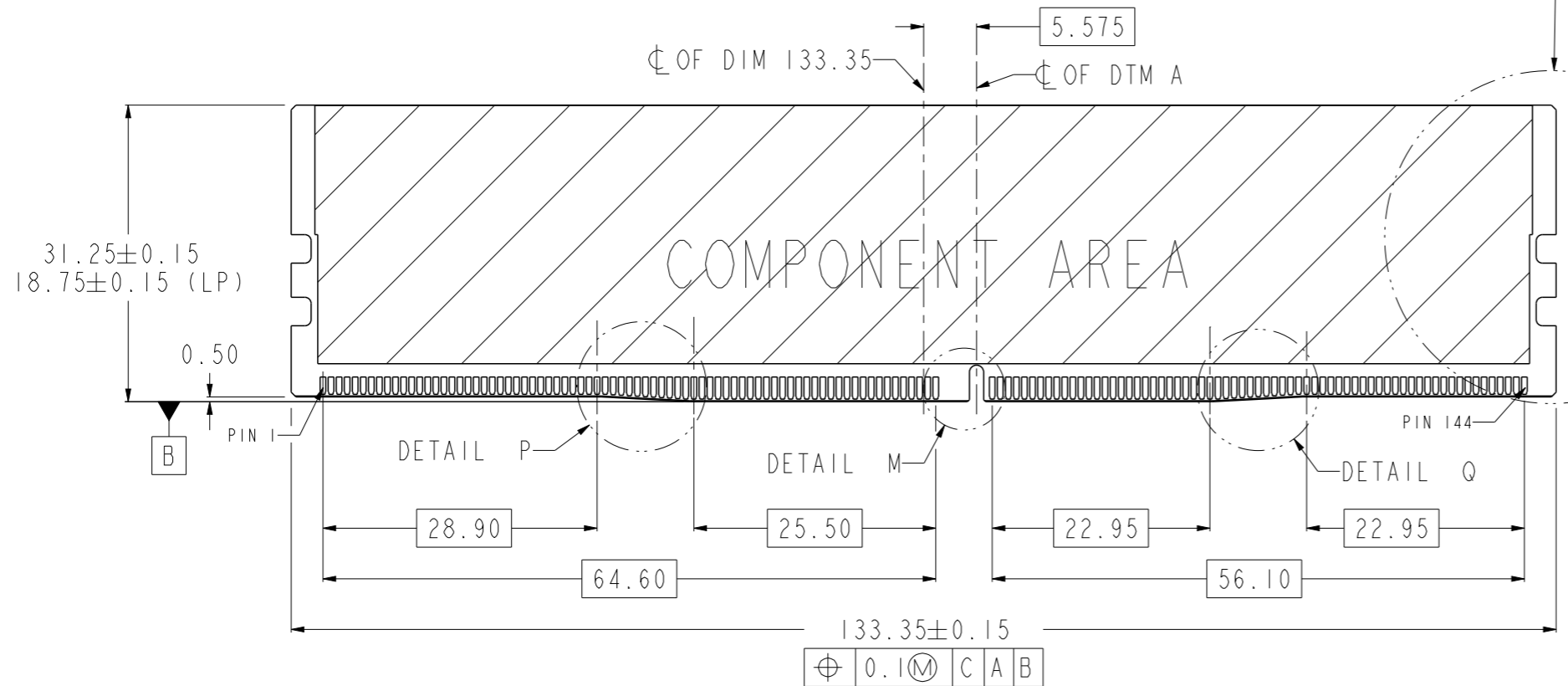
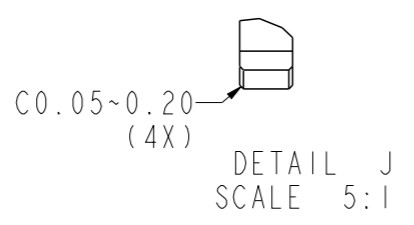
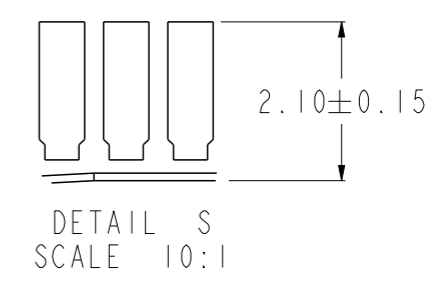
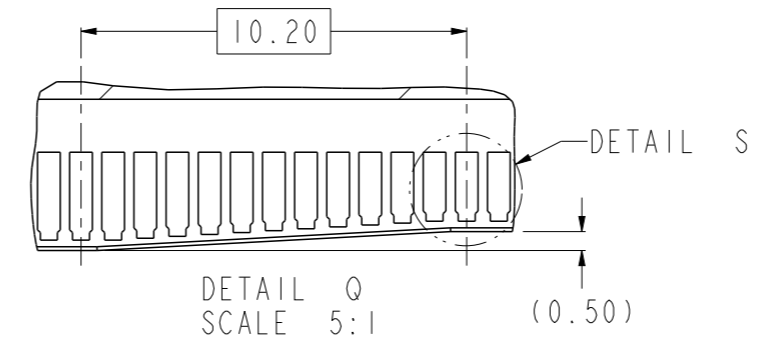
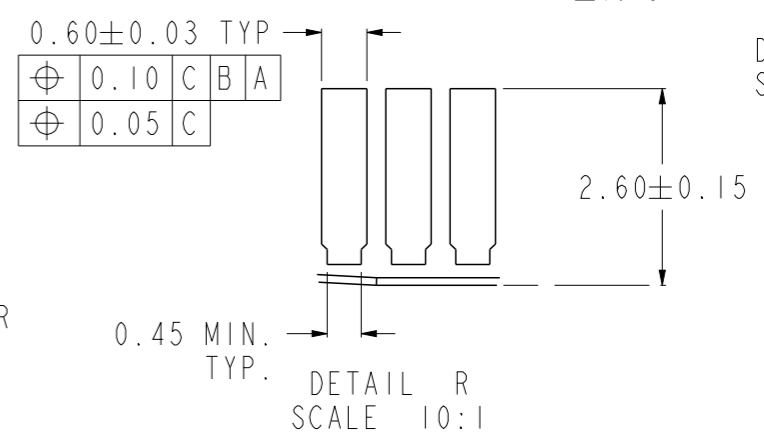
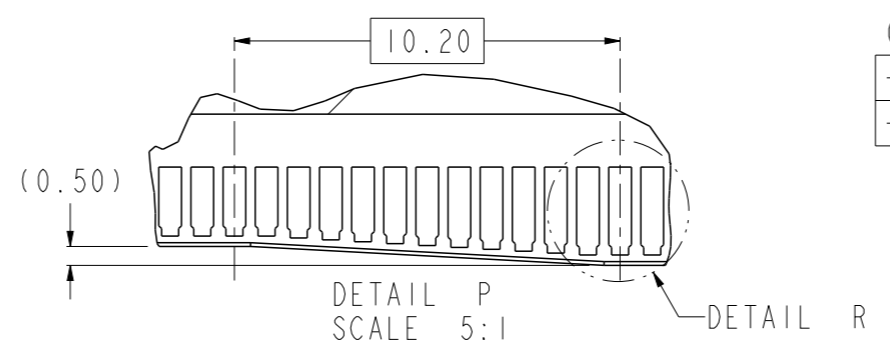
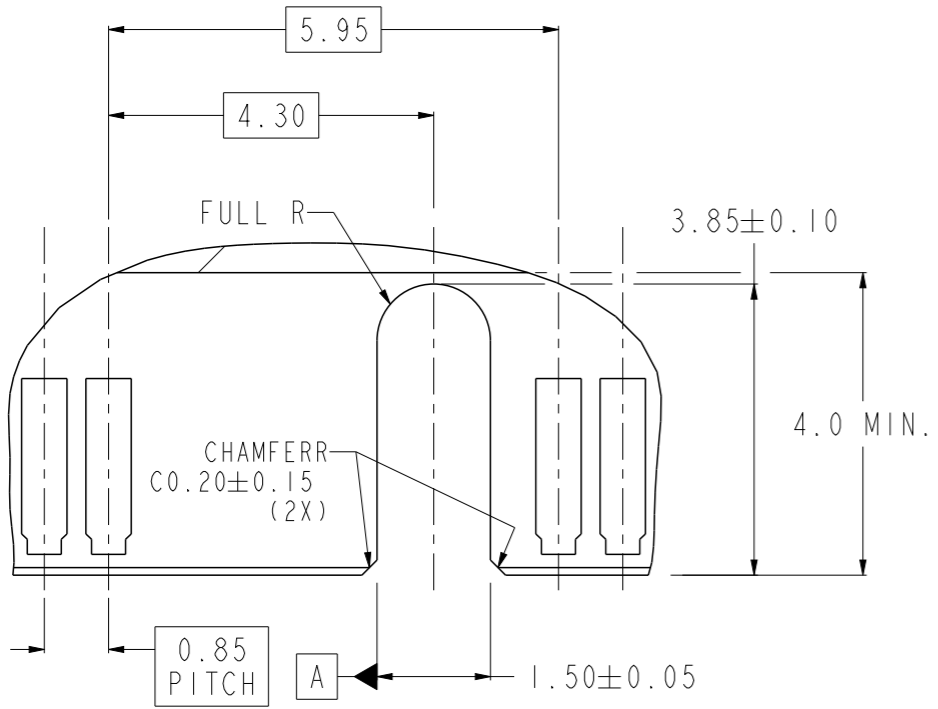
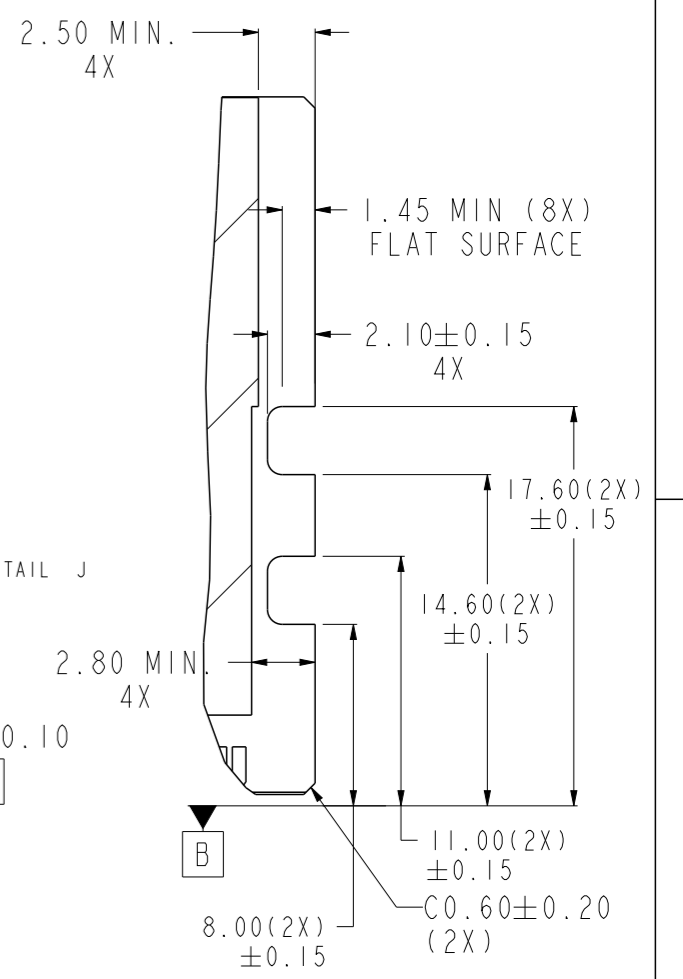
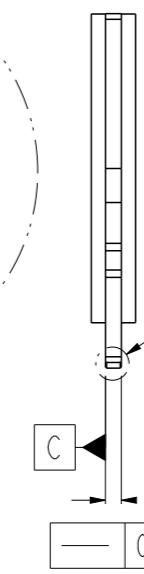


spec ref	-	dr	Nickor Zuo	2018/01/30	projection	mm	size	A3	scale	2:1
tolerance std	ISO 406 ISO 1101	eng	Viking Huang	2022/01/24			ecn no	ELX-DG-43646-1		
TOLERANCES UNLESS OTHERWISE SPECIFIED		chr	-	-			rel level	Released		
surface	ISO 1302	appr	Nickor Zuo	2022/01/25	product family	-	DDR4 288 PIN DIMM CONNECTOR		dwg no	10145891
	linear							SMT TERMINATION	rev	K
	angular								cat. no.	-
									Product - Customer Drw	sheet 1 of 5

DDR4 MODULE
MORE INFORMATION REFER TO JEDEC MO-309



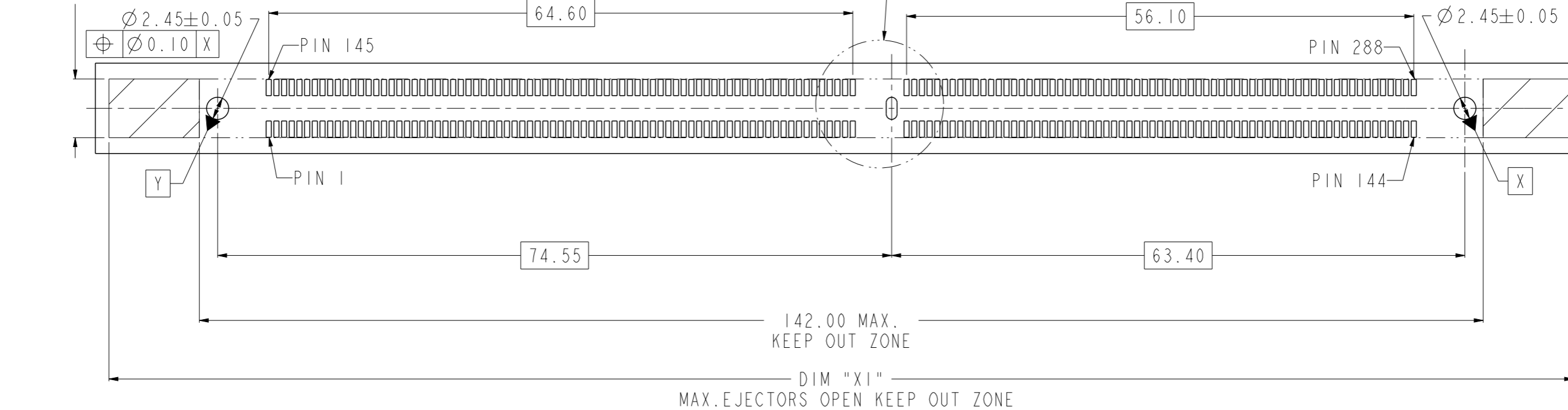
SEE DETAIL N



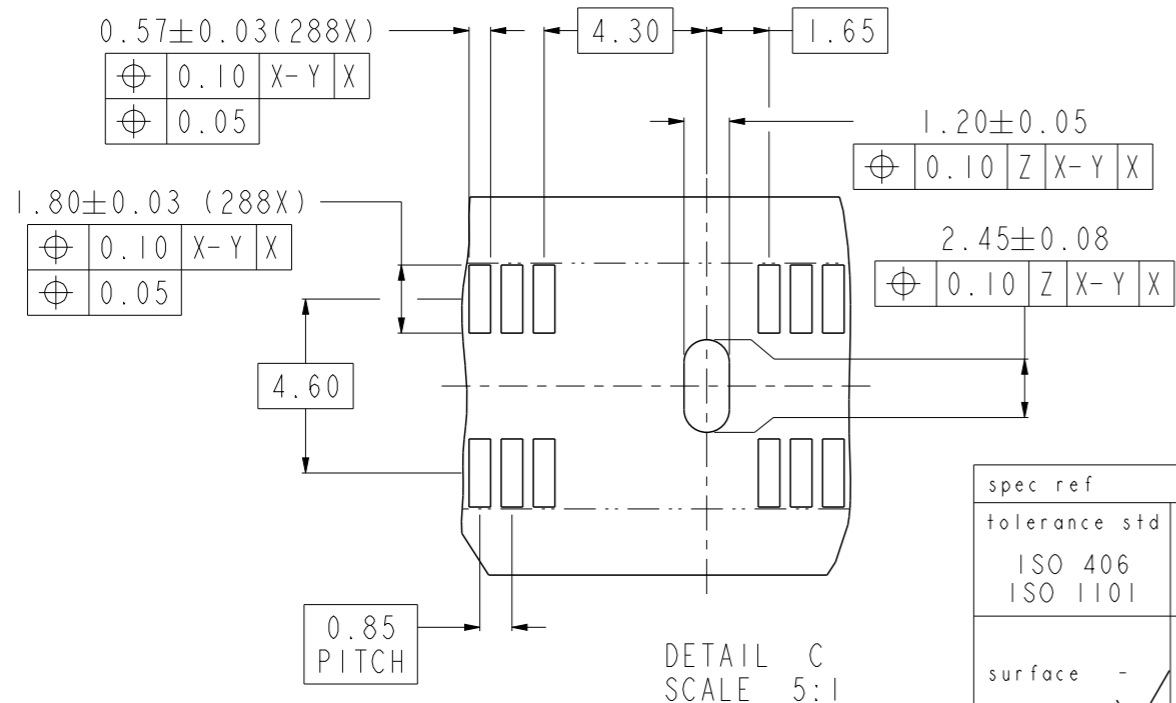
spec ref	-	dr	Nickor Zuo	2018/01/30	projection	mm	size	A3	scale	3:2
tolerance std	ISO 406 ISO 1101	eng	Viking Huang	2022/01/24			ecn no	ELX-DG-43646-1	rel level	Released
TOLERANCES UNLESS OTHERWISE SPECIFIED		chr	-	-			product family	-		
surface	linear	appr	Nickor Zuo	2022/01/25			DDR4 288 PIN DIMM CONNECTOR SMT TERMINATION		dwg no 10145891	rev K
ISO 1302	angular			cat. no.	-	Product - Customer Drw		sheet 2 of 5		

RECOMMENDED PCB LAYOUT
MORE INFORMATION REFER TO JEDEC SO-017

6.50 MAX.
KEEP OUT ZONE



THICKNESS
1.6~3.2mm



ADDITIONAL NOTES:

1. RECOMMENDED STENCIL THICKNESS IS NOT LESS THAN 0.15mm

spec ref	-	dr	Nickor Zuo	2018/01/30	projection	mm	size	A3	scale	2:1		
tolerance std	ISO 406 ISO 1101	eng	Viking Huang	2022/01/24			ecn no	ELX-DG-43646-1				
surface	ISO 1302	chr	-	apppr			Nickor Zuo	2022/01/25	product family	-	rel level	Released
		linear	0.X	±0.30			DDR4 288 PIN DIMM CONNECTOR		dwg no	10145891	rev	K
			0.XX	±0.20			SMT TERMINATION		Product - Customer Drw		sheet 3 of 5	
		angular	0°	±2°			cat. no.		-			

PRODUCT PART NUMBER

10145891 - [] [] [] [] [] [] [] [] [] []

ADDITIONAL REQUIREMENTS

0: RoHS COMPLIANT

HOLD DOWNS CONFIGURATIONS

- 0: 3 FORKLOCKS, LENGTH "L"=4.00±0.25
- 1: 3 FORKLOCKS, LENGTH "L"=2.50±0.25
- 3: 3 SOLDER TABS, LENGTH "L"=2.00±0.25
- 5: 2 SOLDER TABS AT BOTH END (LENGTH "L"=2.00±0.25)
+1 FORKLOCK AT MIDDLE (LENGTH "L"=2.50±0.25)
- 6: 3 SOLDER TABS, LENGTH "L"=1.50±0.25

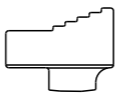
MYLAR, CAP

- 0. WITH 30MM LENGTH MYLAR
- 1. WITHOUT MYLAR AND CAP
- 2. WITH CAP

HOUSING COLOR

- 0: NATURAL
- 1: BLACK
- 2: BLUE

EJECTOR TYPE

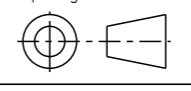
CODE	COLOR	DIM "X1"	DIM "X2"	FIGURE	PACKAGE
0	NATURAL	157	146		24 PCS/HARD TRAY
1	BLACK				
2	BLUE				
J	NATURAL				
K	BLACK				
B	BLUE				
C	NATURAL				
D	BLACK				
G	NATURAL				
H	BLACK				

CONTACT AREA PLATING

CODE	CONTACT AREA
11LF	15u" MIN. GOLD
13LF	30u" MIN. GOLD

NOTES:

1. MATERIALS:
HOUSING: HIGH PERFORMANCE RESINS, GLASS FIBER FILLED, UL94 V-0 RATED.
EJECTOR: HIGH PERFORMANCE RESINS, GLASS FIBER FILLED, UL94 V-0 RATED.
TERMINAL: COPPER ALLOY
FORKLOCK: COPPER ALLOY
SOLDER TAB: COPPER ALLOY
2. STENCIL THICKNESS IS NOT LESS THAN 0.15mm.
3. DATE CODE "MMDDYYL", MMDDYY IS ASSEMBLY DATE, L IS FCI PRODUCTION LINE.
4. SPECIFICATION:
PRODUCTION SPECIFICATION: FCI GS-12-1092.
PACKAGE SPECIFICATION: FCI GS-14-2267.
APPLICATION SPECIFICATION: FCI GS-20-0353.
5. LEAD FREE PRODUCT MEETS EUROPEAN UNION DIRECTIVES AND OTHER COUNTRY REGULATIONS AS DESCRIBED IN FCI GS-22-008.
6. THIS PRODUCT WILL WITHSTAND EXPOSURE TO 260°C PEAK TEMPERATURE FOR 10 SECONDS IN REFLOW SOLDERING APPLICATION.

spec ref	-	dr	Nickor Zuo	2018/01/30	projection		mm	size	A3	scale	1:1
tolerance std	ISO 406 ISO 1101	eng	Viking Huang	2022/01/24	chr	-		ecn no	ELX-DG-43646-1	rel level	Released
surface	linear	appr	Nickor Zuo	2022/01/25	product family	-		dwg no	10145891	rev	K
	angular							cat. no.	-	Product - Customer Drw	sheet 4 of 5

PRODUCT PART NUMBER

10145891 -

ADDITIONAL REQUIREMENTS

1: LOW HALOGEN COMPLIANT

HOLD DOWNS CONFIGURATIONS

- 0: 3 FORKLOCKS, LENGTH "L"=4.00±0.25
- 1: 3 FORKLOCKS, LENGTH "L"=2.50±0.25
- 3: 3 SOLDER TABS, LENGTH "L"=2.00±0.25
- 5: 2 SOLDER TABS AT BOTH END (LENGTH "L"=2.00±0.25)
+1 FORKLOCK AT MIDDLE (LENGTH "L"=2.50±0.25)
- 6: 3 SOLDER TABS, LENGTH "L"=1.50±0.25

MYLAR, CAP AND PACKAGE

- 0. WITH 30MM LENGTH MYLAR, HARD TRAY PACKAGE
- 1. WITHOUT MYLAR AND CAP, HARD TRAY PACKAGE
- 2. WITH CAP, HARD TRAY PACKAGE
- 3. WITH 90MM LENGTH MYLAR, HARD TRAY PACKAGE

HOUSING COLOR

- 0: NATURAL
- 1: BLACK
- 2: BLUE
- 3: YELLOW

EJECTOR TYPE

CODE	COLOR	DIM "X1"	DIM "X2"	FIGURE	PACKAGE
J	NATURAL	157	146		32 PCS/HARD TRAY (136mm WIDTH)
K	BLACK				32 PCS/HARD TRAY (150mm WIDTH)
C	NATURAL				24 PCS/TRAY
D	BLACK				24 PCS/TRAY
0	NATURAL	153	143		24 PCS/TRAY
1	BLACK				24 PCS/TRAY
3	NATURAL	155	144		24 PCS/TRAY
4	BLACK				28 PCS/TRAY
5	NATURAL				
6	BLACK				

CONTACT AREA PLATING

CODE	CONTACT AREA
11LF	15u" MIN. GOLD
13LF	30u" MIN. GOLD
18LF	18u" MIN. GOLD

NOTES:

1. MATERIALS:
HOUSING: HIGH PERFORMANCE RESINS, GLASS FIBER FILLED, UL94 V-0 RATED.
EJECTOR: HIGH PERFORMANCE RESINS, GLASS FIBER FILLED, UL94 V-0 RATED.
TERMINAL: COPPER ALLOY
FORKLOCK: COPPER ALLOY
SOLDER TAB: COPPER ALLOY
2. STENCIL THICKNESS IS NOT LESS THAN 0.15mm.
3. DATE CODE "MMDDYYL", MMDDYY IS ASSEMBLY DATE, L IS FCI PRODUCTION LINE.
4. SPECIFICATION:
PRODUCTION SPECIFICATION: FCI GS-12-1092.
PACKAGE SPECIFICATION: FCI GS-14-2267.
APPLICATION SPECIFICATION: FCI GS-20-0353.
5. LEAD FREE PRODUCT MEETS EUROPEAN UNION DIRECTIVES AND OTHER COUNTRY REGULATIONS AS DESCRIBED IN FCI GS-22-008.
6. THIS PRODUCT WILL WITHSTAND EXPOSURE TO 260°C PEAK TEMPERATURE FOR 10 SECONDS IN REFLOW SOLDERING APPLICATION.

spec ref	-	dr	Nickor Zuo	2018/01/30	projection		size	A3	scale	1:1
tolerance std	ISO 406 ISO 1101	eng	Viking Huang	2022/01/24	mm		ecn no	ELX-DG-43646-1		
	TOLERANCES UNLESS OTHERWISE SPECIFIED	chr	-	-	product family	-	rel level	Released		
surface	linear	appr	Nickor Zuo	2022/01/25	Amphenol FCI	DDR4 288 PIN DIMM CONNECTOR	dwg no	10145891	rev	K
	angular				SMT TERMINATION					
	ISO 1302				cat. no.	-	Product - Customer Drw	sheet 5 of 5		