

ZONE	REV	ECN NUMBER	DESCRIPTION	BY	DATE	APPROVED
ALL	A	MHAN-A3CPBZ-VER01	NEW RELEASE	HCL-WS	10/26/2015	M.HANRAHAN
	B	JXUU-20102801	ADDED SHEET 2 FOR XCEDE HD2 DC POWER MODULE	HCL-PB	11/20/2020	J.XU
	C	HHUG-21020507	ADDED DIM (2.53) MAX & NOTE #10.	HCL-PB	03/02/2021	H.HUANG

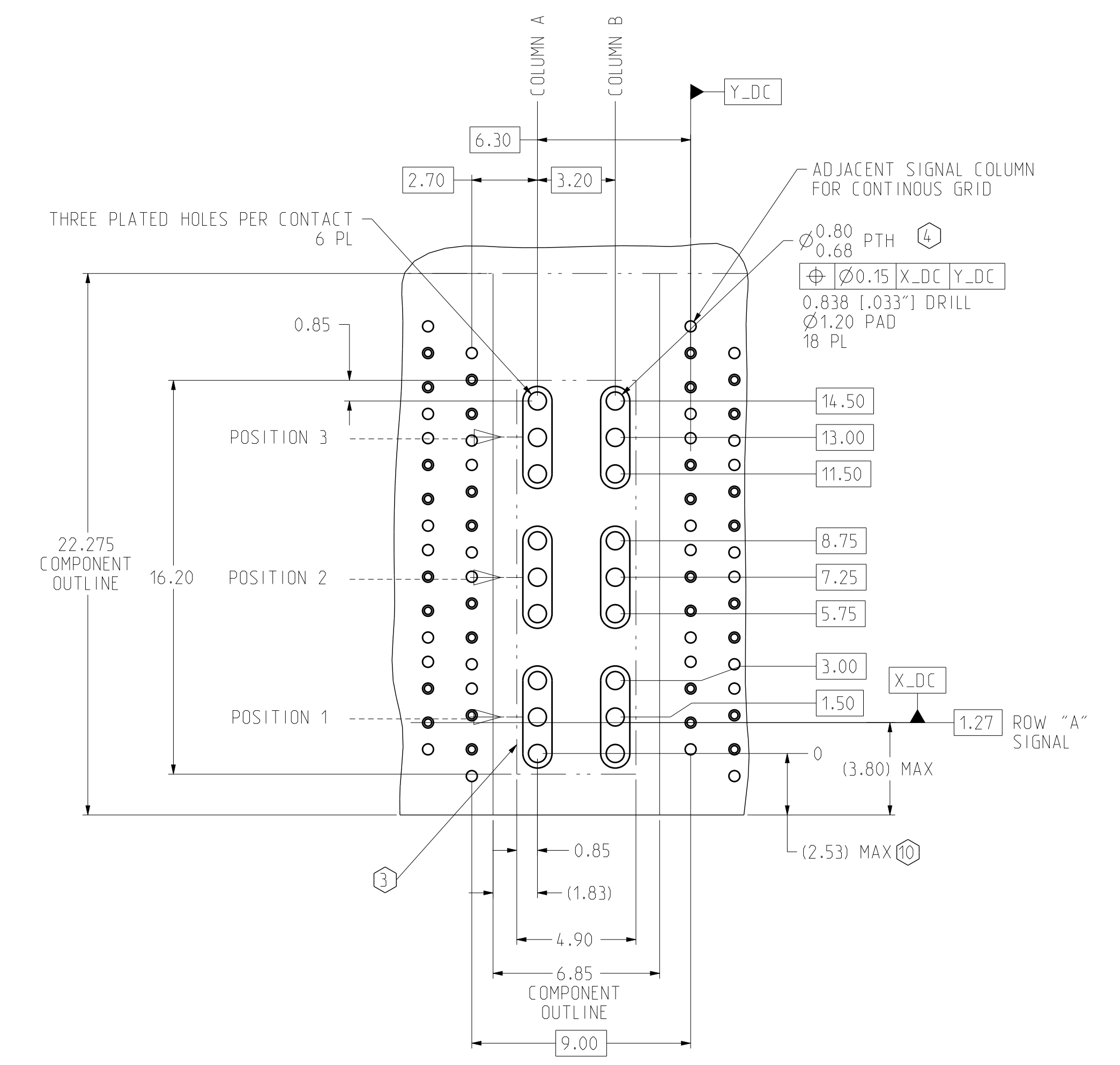
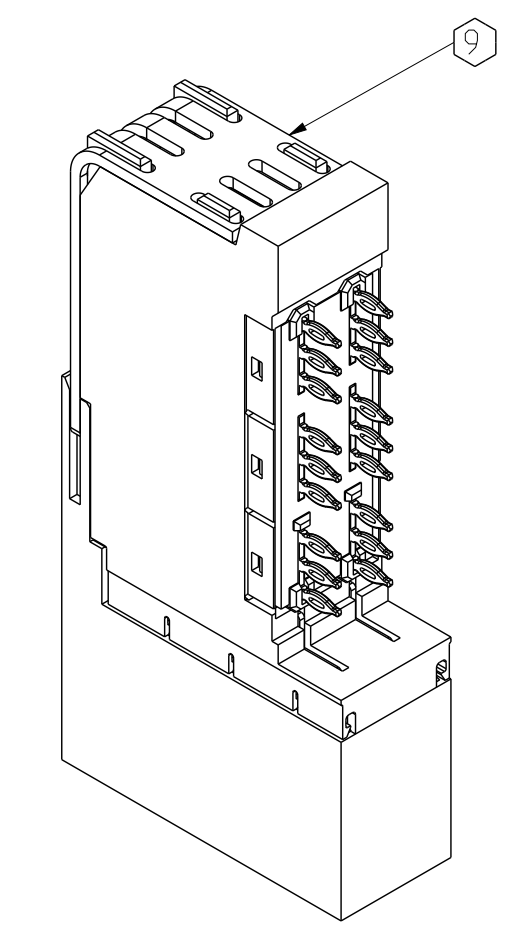
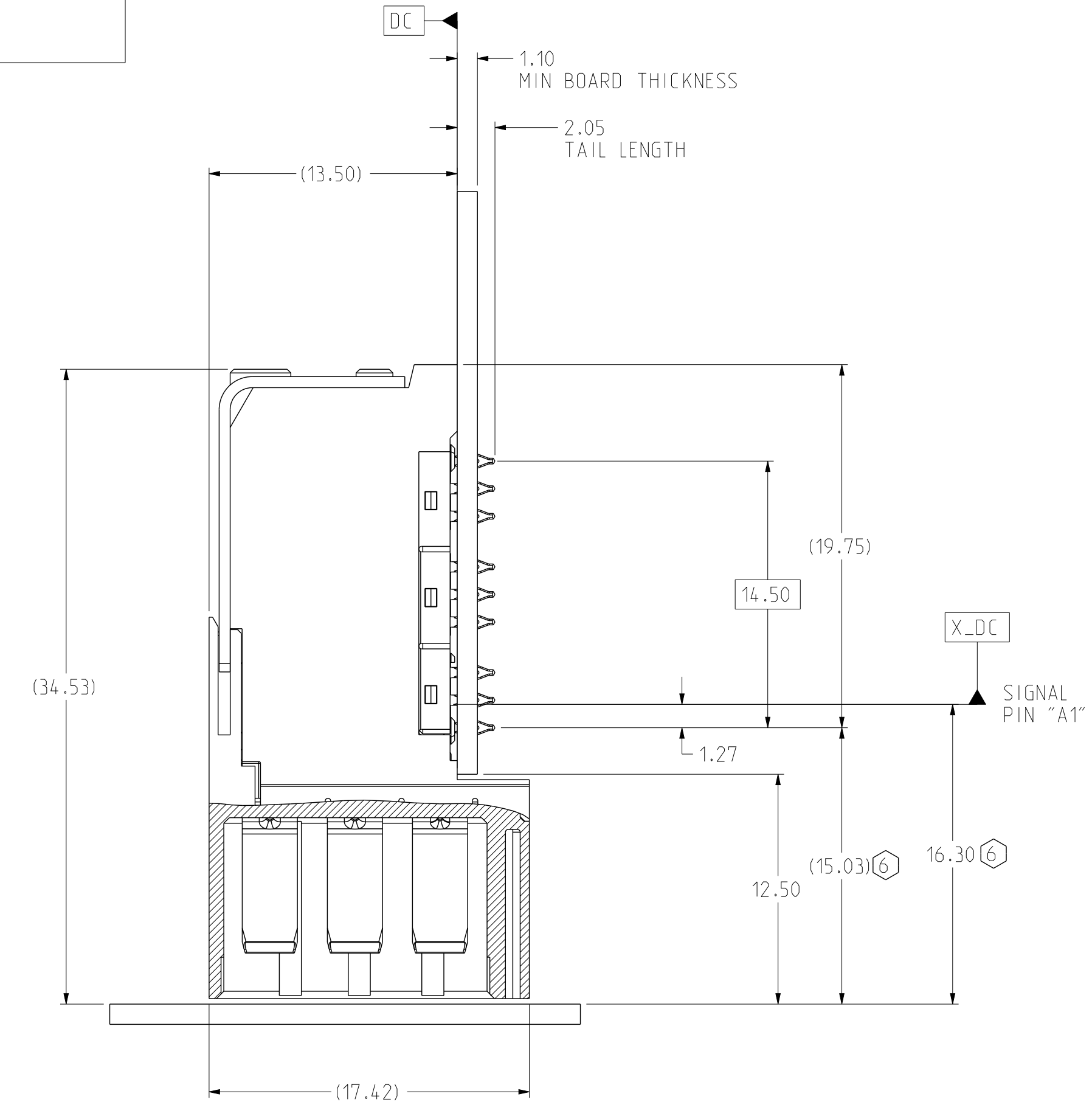
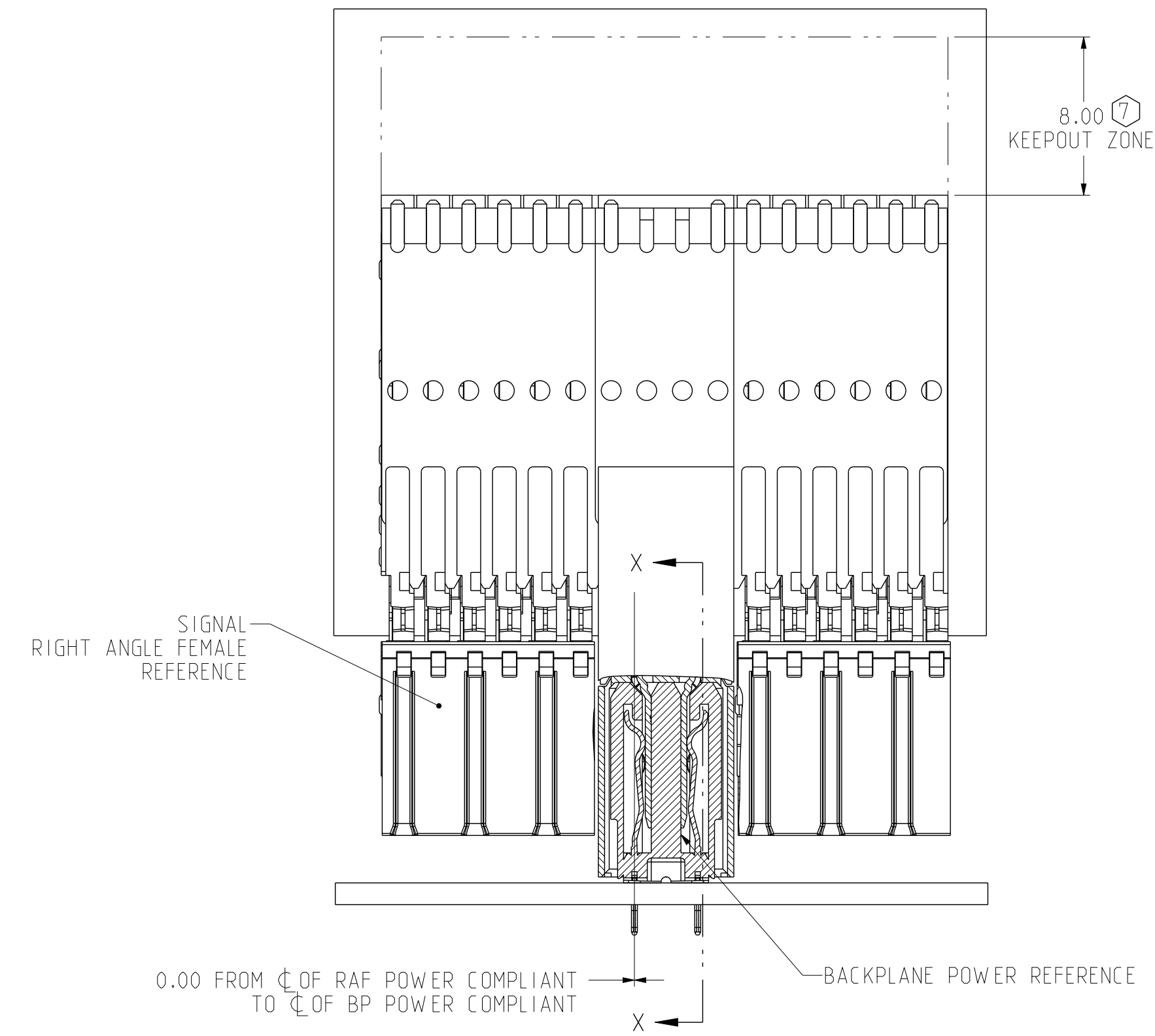
TABLE 1

XCede HD RIGHTANGLE FEMALE POWER CONNECTOR
 ASSEMBLY PART NUMBER ASSIGNMENT



PLATING:
 D = NI SULFAMATE, STANDARD GOLD, LEADFREE
 E = NI SULFAMATE, HIGH GOLD, LEADFREE
 H = NANO NI, STANDARD GOLD, LEADFREE
 J = NANO NI, HIGH GOLD, LEADFREE
 K = NI SULFAMATE, HIGH GOLD, LEADED, 60-40 TIN-LEAD

CONTACT LENGTH
 7 = 4.5mm
 8 = 5.5mm



- NOTES:
1. CORRESPONDING BP DRAWING : C-968-4100-500
 2. USE 7.2mm NOMINAL FOR DAUGHTERCARD LAYOUT.
 3. NO SURFACE TRACES ALLOWED IN KEEPOUT ZONE.
 4. STATED PAD SIZE MAY REQUIRE FILLING. SEE TB-2237 FOR ROUTING GUIDELINES.
 5. REFER TO TB 2307 FOR XCede HD PLUS PRODUCT SPECIFICATION.
 6. NOMINAL SEATED DIMENSION.
 7. FOR CONNECTOR REPAIRABILITY, USE KEEPOUT ZONE.
 8. REFER DRAWING C-977-4000-600 FOR NON-STANDARD LOAD.
 9. STIFFENER SHOWN FOR REFERENCE ONLY.
 10. IF THEIR IS NO SIGNAL MODULE PRESENT IN THE CONFIGURATION, PLEASE USE THIS DIMENSION (2.53) MAX.

TOLERANCES		DESIGN 09/16/2015 M.HANRAHAN	Amphenol TCS A Division of Amphenol Corporation 200 Innovative Way, Nashua, NH 03082 603.879.3000
0.0	±0.25	DRAWN 09/16/2015 HCL-MR	
0.00	±0.13	CHK 09/16/2015 M.HANRAHAN	
0.000	± -	APVD 09/16/2015 M.HANRAHAN	
ANGLES	± 3°		

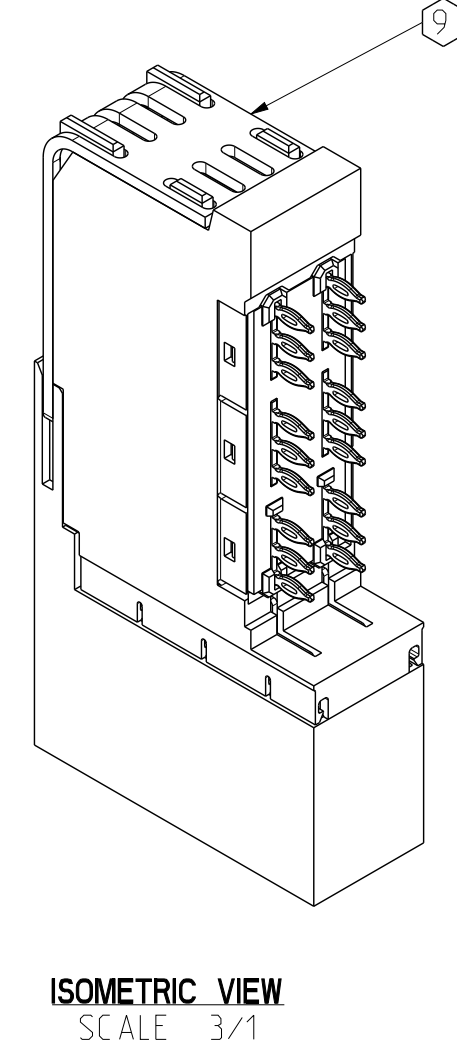
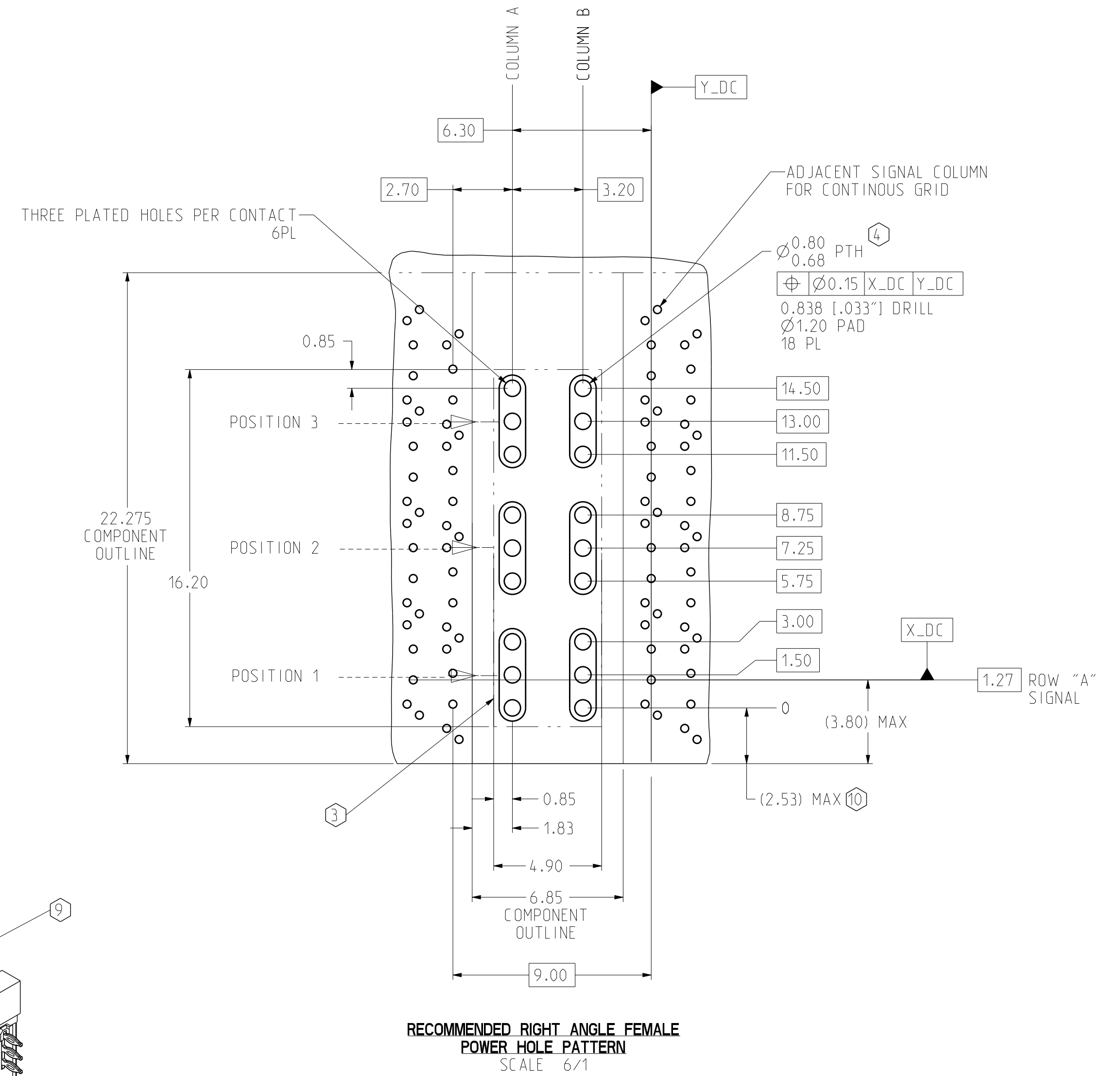
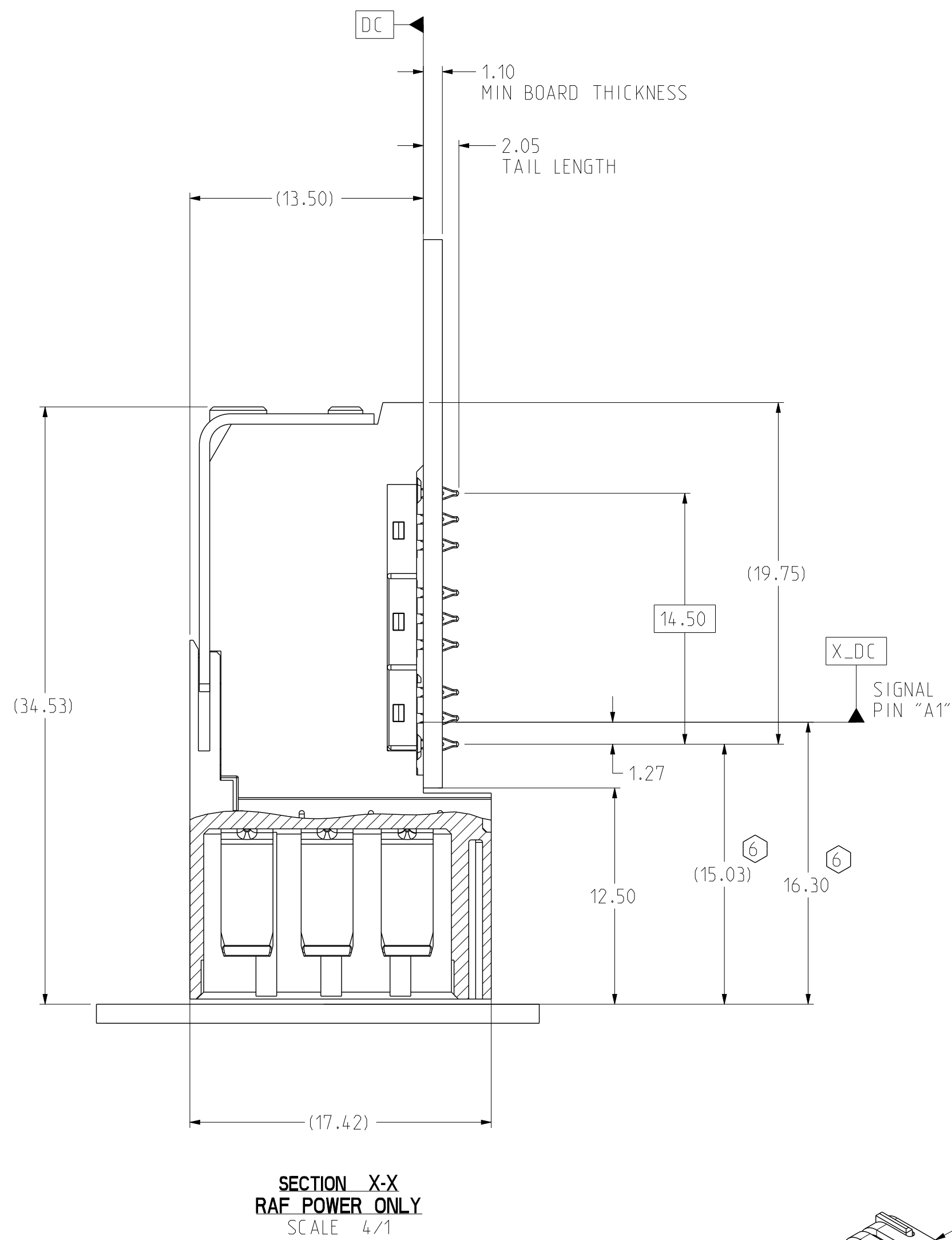
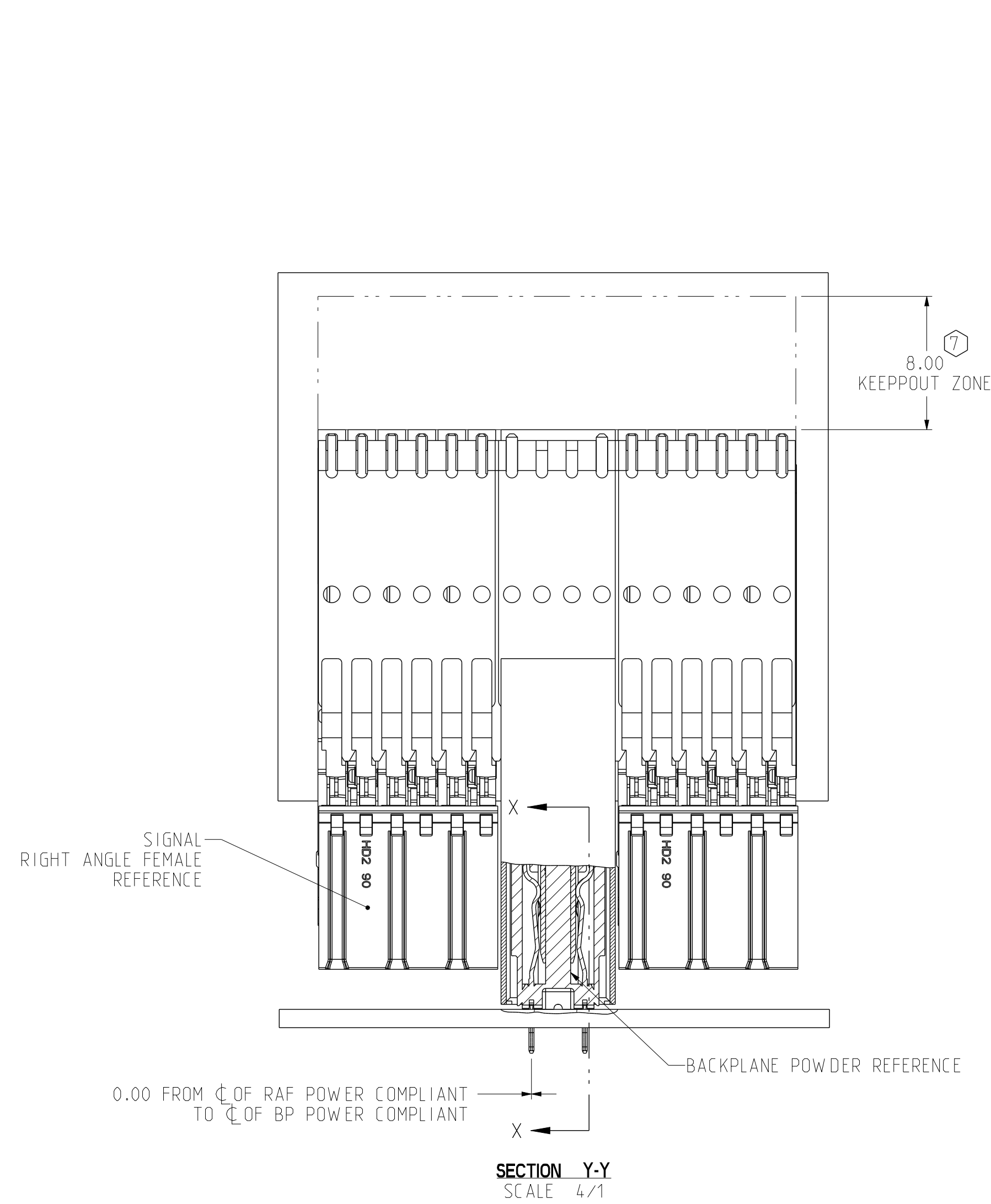
UNLESS OTHERWISE SPECIFIED DIMENSIONS ARE IN MM. DECIMAL MARKER IS A PERIOD.
 INTERPRET PER ASME Y14.5M
 CODE IDENT 31413

CUSTOMER USE
 DRAWING

TITLE	RIGHT ANGLE FEMALE POWER ASSEMBLY XCede HD PLUS 4 PAIR, GEN 2 MINI COMPLIANT PIN	REV	N/A
PART NO.	SEE P/N TREE	REV	C
DRAWING NO.	C-928-4050-600	CREO ASSEM	C928-4050-600 0.2
		DRAWING	C928-4050-600 0.8
SIZE	D	SCALE	1/1
		SHEET	1 OF 2

ZONE	REV	ECN NUMBER	DESCRIPTION	BY	DATE	APPROVED
			SEE SHEET 1			

LAYOUT FOR 4 PAIR XCede HD2 POWER MODULE



TOLERANCES		DESIGN 09/14/2015 M.HANRAHAN	Amphenol TCS A Division of Amphenol Corporation 200 Innovative Way, Nashua, NH 03062 603.879.3000	TITLE	RIGHT ANGLE FEMALE POWER ASSEMBLY XCede HD PLUS 4 PAIR, GEN 2 MINI COMPLIANT PIN				
0.0	\pm 0.25	DRAWN 09/14/2015 HCL-MR		PART NO.	SEE P/N TREE	N/A			
0.00	\pm 0.13	CHK 09/14/2015 M.HANRAHAN		DRAWING NO.	C-928-4050-600	REV C			
0.000	\pm -	APVD 09/14/2015 M.HANRAHAN		CRED ASSEM	C928-4050-600_XCEDE_HD2	0.0			
ANGLES	\pm 3°	UNLESS OTHERWISE SPECIFIED DIMENSIONS ARE IN MM. DECIMAL MARKER IS A PERIOD		DRAWING	C928-4050-600	0.8			
INTERPRET PER ASME Y14.5M		CUSTOMER USE DRAWING		SIZE	D	SCALE	1/1	SHEET	2 OF 2
CODE IDENT 31413									