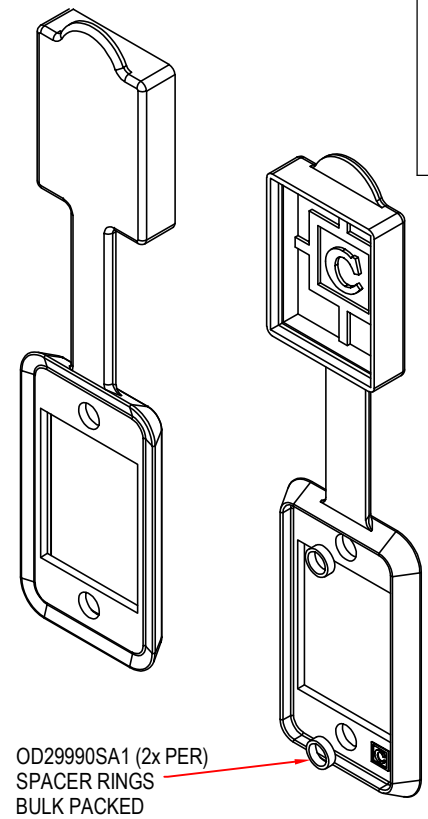
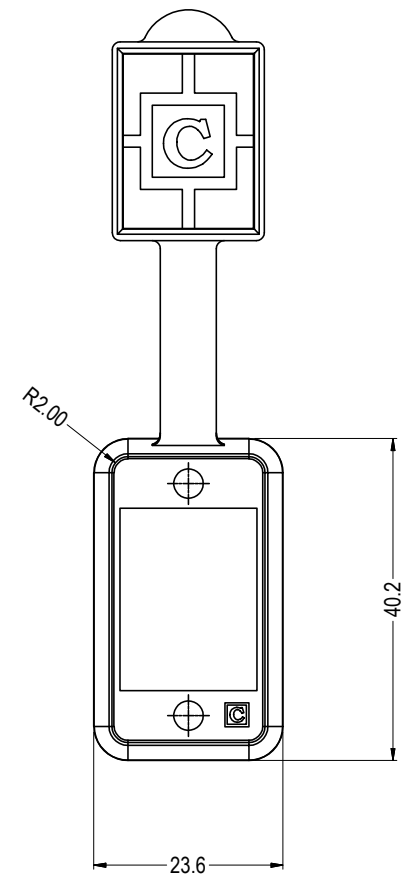
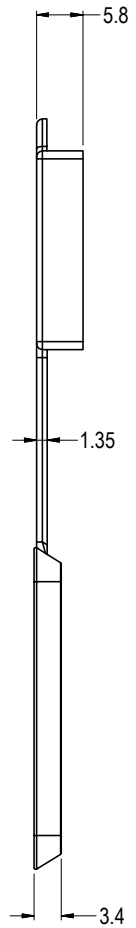
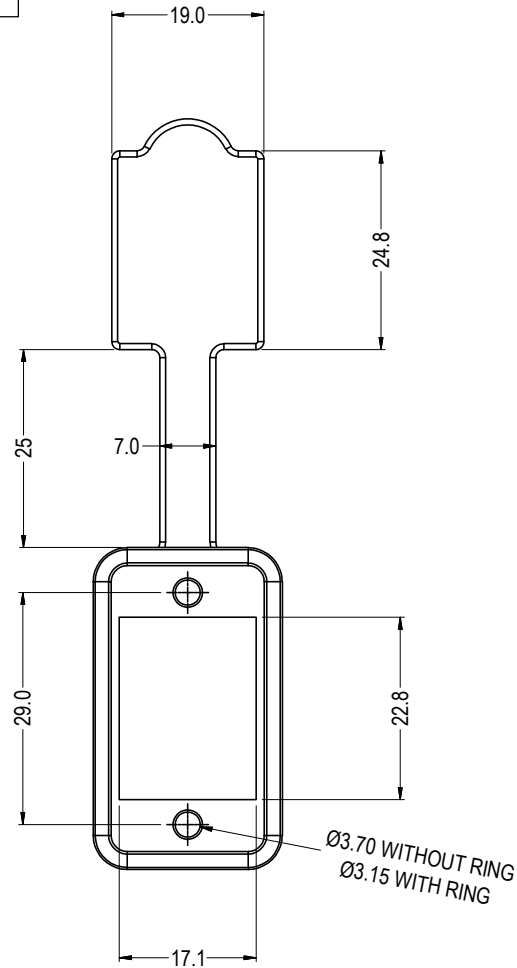


ISS.	AMEND	DATE
1	ISSUED	13/07/21



OD29990SA1 (2x PER)  
SPACER RINGS  
BULK PACKED

- NOTES**
- 1) GASKETS SUPPLIED BULK PACKED.
  - 2) 2x SPACER RINGS PER GASKET, SUPPLIED BULK PACKED.
  - 3) OTHER COLOURS AVAILABLE ON REQUEST, SUBJECT TO MOQ.

VARIANTS	
PART No.	COLOUR
CP299822	BLACK
CP299825	GREEN
CP299827	RED
CP299828	BLUE

**RoHS**  
COMPLIANT

**TOLERANCE**  
NO DEC. PLACE ±  
1 DEC. PLACE ±  
2 DEC. PLACE ±  
HOLE Ø ±  
ANGLES ±  
UNLESS OTHERWISE STATED

**Cliff Electronic Components Ltd.**  
76 Holmethorpe Avenue, Holmethorpe Industrial Estate,  
Redhill, Surrey, RH1 2PF, England, UK  
Tel: 01737-771375 Fax: 01737-766012 Website: www.cliffuk.co.uk

DIMENSIONS IN MILLIMETERS UNLESS OTHERWISE STATED. WORK TO DIMENSIONS. REMOVE ALL BURRS. IF IN DOUBT ASK.

3rd ANGLE PROJECTION:

DO NOT SCALE

MATERIAL: SILICONE RUBBER

TITLE: SLIM FT GASKET WITH DUST CAP KIT

FINISH: ALL OUTER SURFACES SPARK 24 VDI

DRAWN: DPJ

APPROVED: C.A.M.J.

DRWG. No. **CP299822**

FORM: A4DRWGH