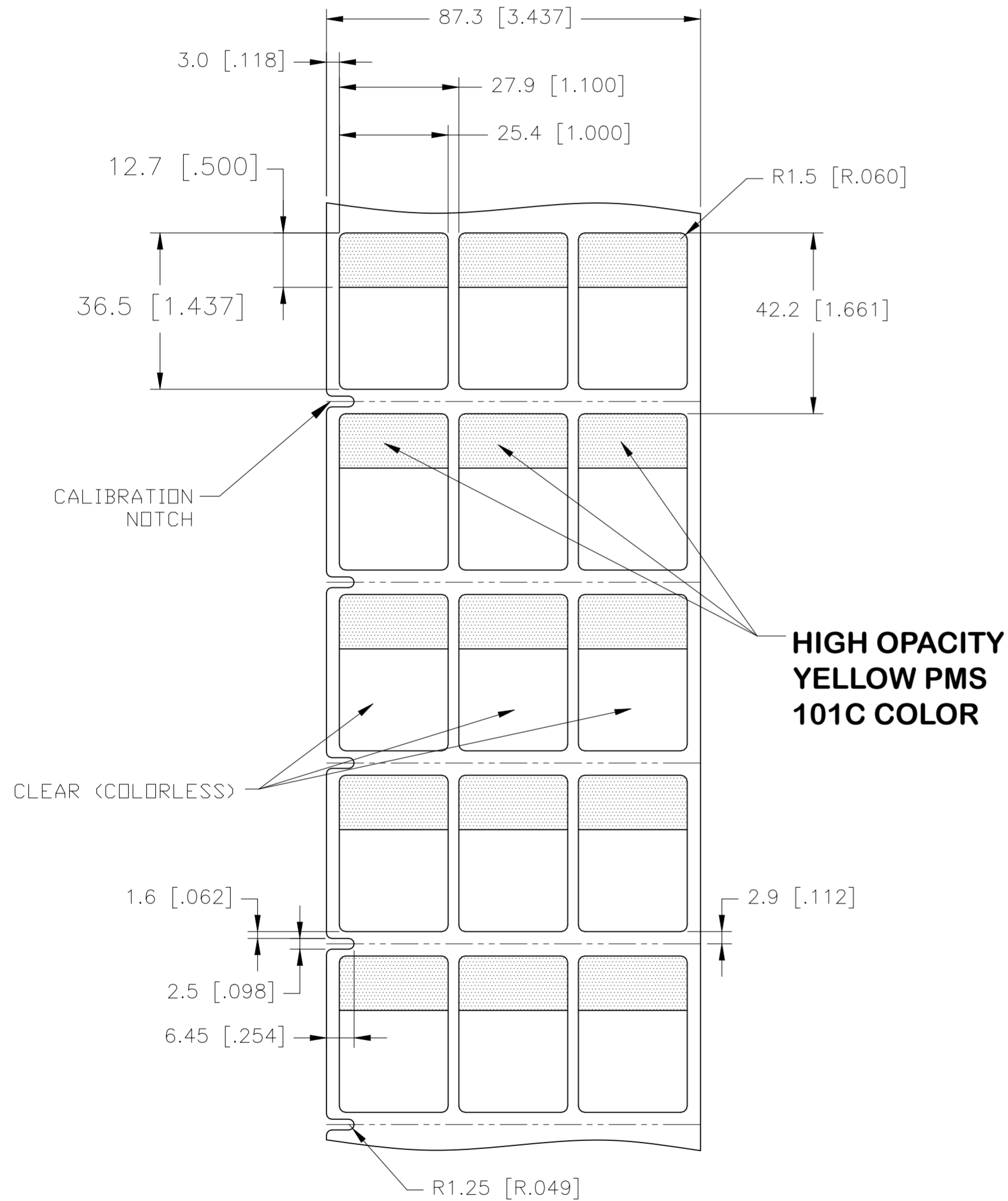
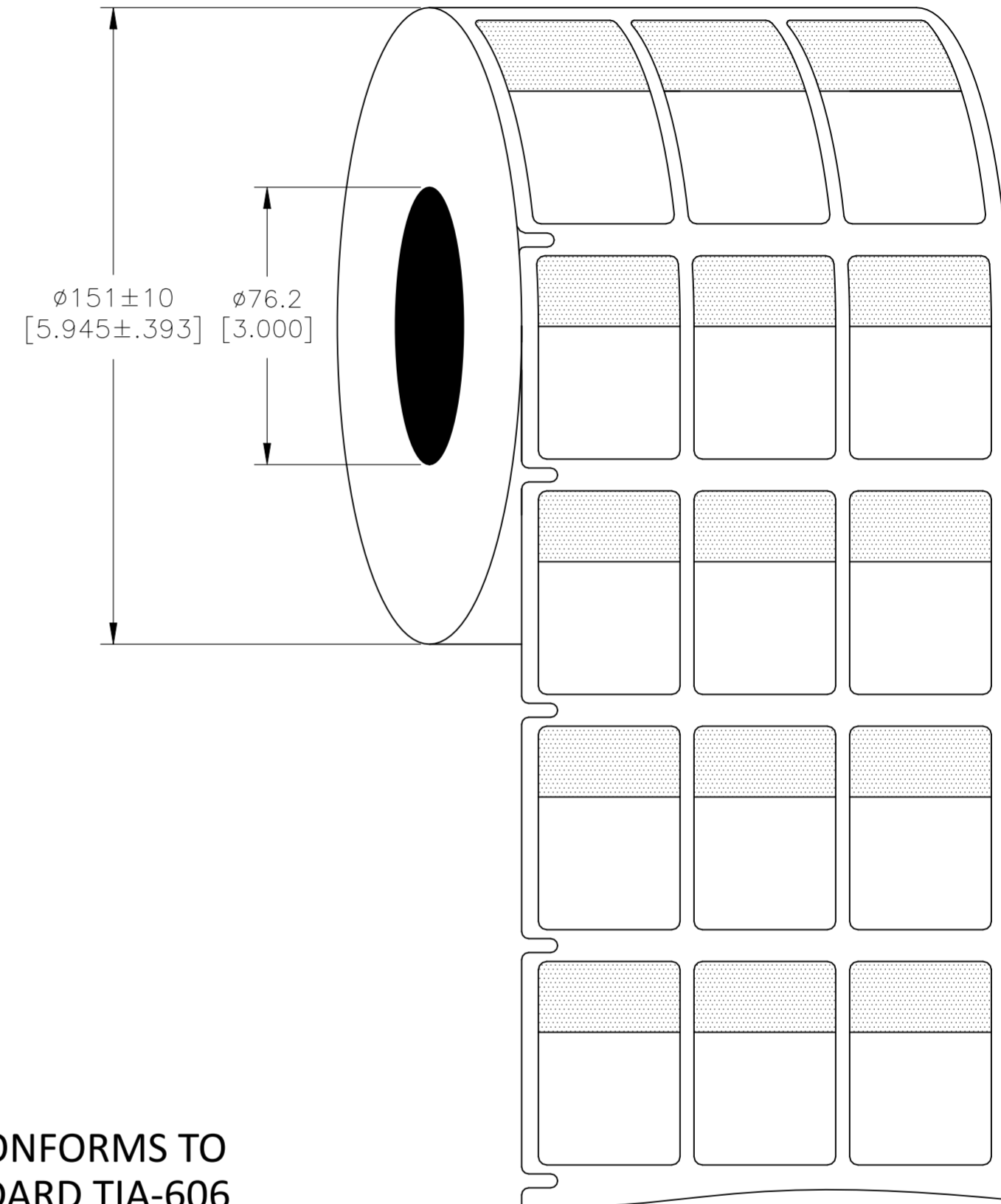


REVISIONS					
P	LTR	DESCRIPTION	DATE	DWN	APVD
A		INITIAL RELEASE	01JUL2022	GK	DB

LABEL AND LINER DESIGN



PRESENTATION



PRINT COLOR CONFORMS TO LABELING STANDARD TIA-606

All dimensions in mm [Inch]

TE PN: 1SET530103R0000

OUTSIDE WOUND LABEL ACROSS: 3 PER ROLL QTY: 5000

TOLERANCES mm [INCH]
LABEL HEIGHT: ± 0.3 [.012]
LABEL WIDTH: ± 0.3 [.012]
WEB WIDTH: ± 0.8 [.031]
VERTICAL REPEAT: ± 0.8 [.031]*
HORIZONTAL REPEAT: ± 0.8 [.031]*
PRINT POSITIONING: ± 0.8 [.031]*
LEFT MARGIN: ± 0.4 [.016]
QUANTITY: -0 % +2 %
*NON ACCUMULATING

THIS DRAWING IS A CONTROLLED DOCUMENT.	
DIMENSIONS: mm [INCHES]	TOLERANCES UNLESS OTHERWISE SPECIFIED:
	0 PLC ±
	1 PLC ±
	2 PLC ±
	3 PLC ±
4 PLC ±	ANGLES ±
MATERIAL: SEE TABLE	FINISH: -

MATERIAL	CLEAR VINYL
ADHESIVE TYPE	ACRYLIC PERMANENT
LINEAR	WHITE KRAFT
DWN: GOPALAKRISHNA HV CHK: D.BURGAT APVD: D.BURGAT PRODUCT SPEC: TTDS-283 APPLICATION SPEC: -	TE Connectivity
NAME: SBP EWS LABEL - YELLOW 25.4 x 36.5mm [1.00 x 1.43inch]	
SIZE: A2 CAGE CODE: FB1U7 DRAWING NO: SBPE07-1225-YL-5	RESTRICTED TO: -
WEIGHT: 0.129g CUSTOMER DRAWING	SCALE: 1:1 SHEET: 1 OF 1 REV: A