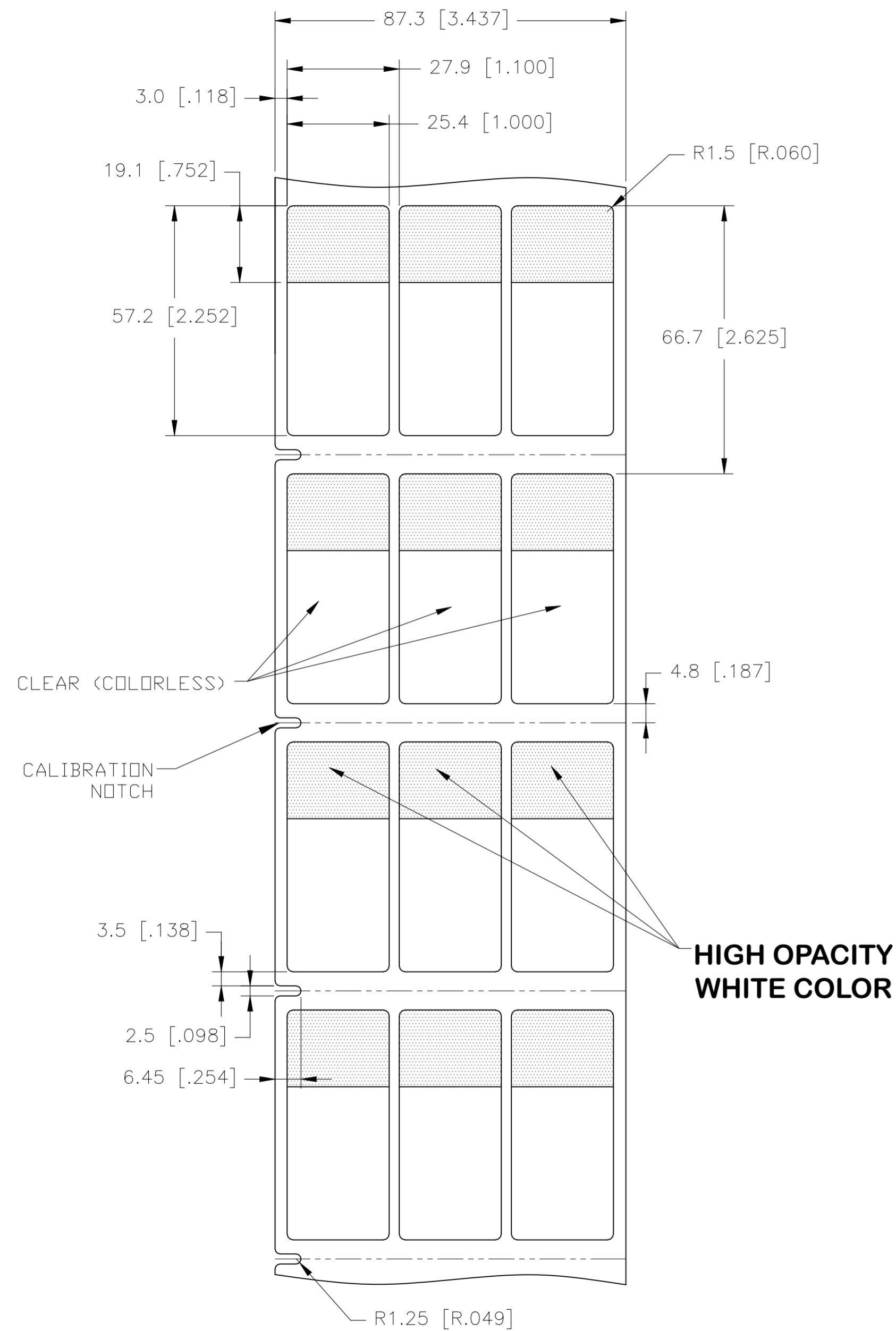
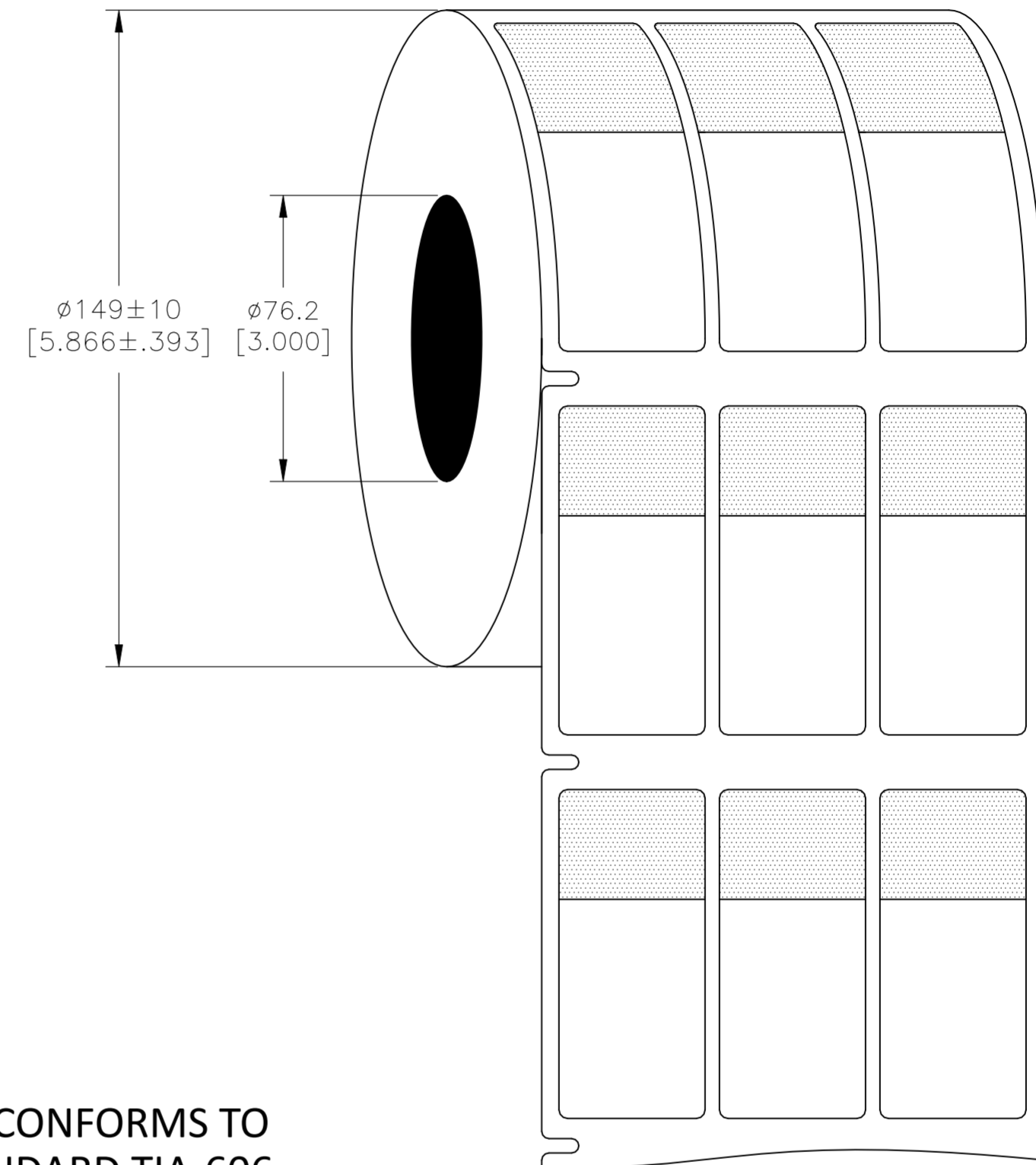


P	LTR	DESCRIPTION	DATE	DWN	APVD
A		INITIAL RELEASE	02JUL2022	GK	DB

LABEL AND LINER DESIGN



PRESENTATION



PRINT COLOR CONFORMS TO LABELING STANDARD TIA-606

All dimensions in mm [Inch]

TE PN: 1SET530107R0000

OUTSIDE WOUND LABEL ACROSS: 3 PER ROLL QTY: 3000

UL-MARKING AND LABELLING SYSTEMS		
PGIS2 - Marking and Labeling Systems, Limited Use - Component (UL 969)		
File: MH61671	Product design: SBP	Ribbon: See TE Document 411-121005

TOLERANCES mm [INCH]
LABEL HEIGHT: ± 0.3 [.012]
LABEL WIDTH: ± 0.3 [.012]
WEB WIDTH: ± 0.8 [.031]
VERTICAL REPEAT: ± 0.8 [.031]*
HORIZONTAL REPEAT: ± 0.8 [.031]*
PRINT POSITIONING: ± 0.8 [.031]*
LEFT MARGIN: ± 0.4 [.016]
QUANTITY: -0 % +2 %
*NON ACCUMULATING

THIS DRAWING IS A CONTROLLED DOCUMENT.	
DIMENSIONS: mm [INCHES]	TOLERANCES UNLESS OTHERWISE SPECIFIED:
0 PLC \pm	1 PLC \pm
2 PLC \pm	3 PLC \pm
4 PLC \pm	ANGLES \pm
MATERIAL: SEE TABLE	FINISH: -

MATERIAL	CLEAR VINYL
ADHESIVE TYPE	ACRYLIC PERMANENT
LINEAR	WHITE KRAFT
DWN: GOPALAKRISHNA HV	TE Connectivity
CHK: D.BURGAT	TE Connectivity
APVD: D.BURGAT	TE Connectivity
PRODUCT SPEC: TTDS-283	SBP EWS LABEL - WHITE
APPLICATION SPEC: -	25.4 x 57.2mm [1.00 x 2.25inch]
WEIGHT: 0.202g	SIZE: A2
CUSTOMER DRAWING	CAGE CODE: FB1U7
SCALE: 1:1	DRAWING NO: SBPE12-1925-WH-3
SHEET: 1 OF 1	RESTRICTED TO: -
REV: A	