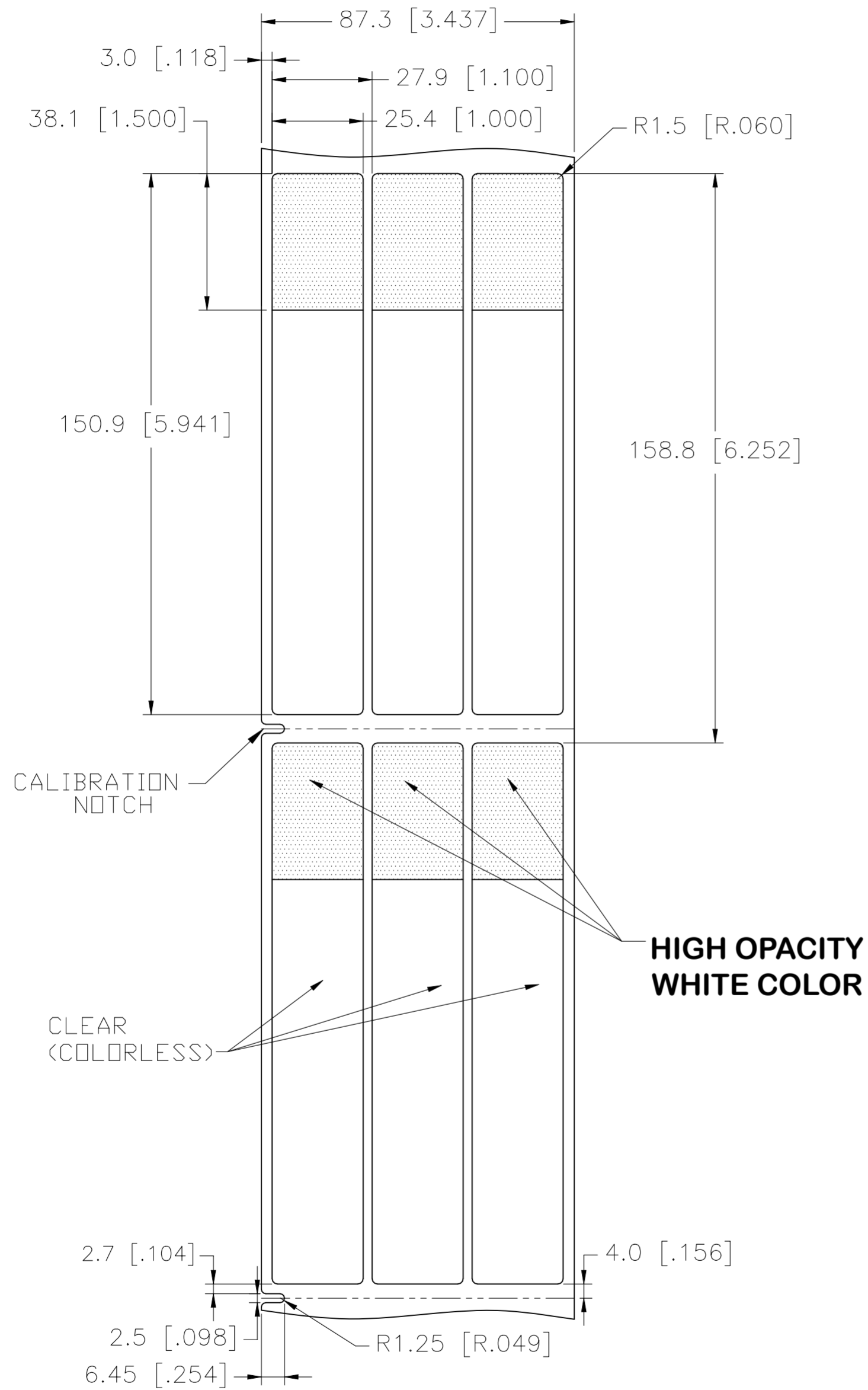
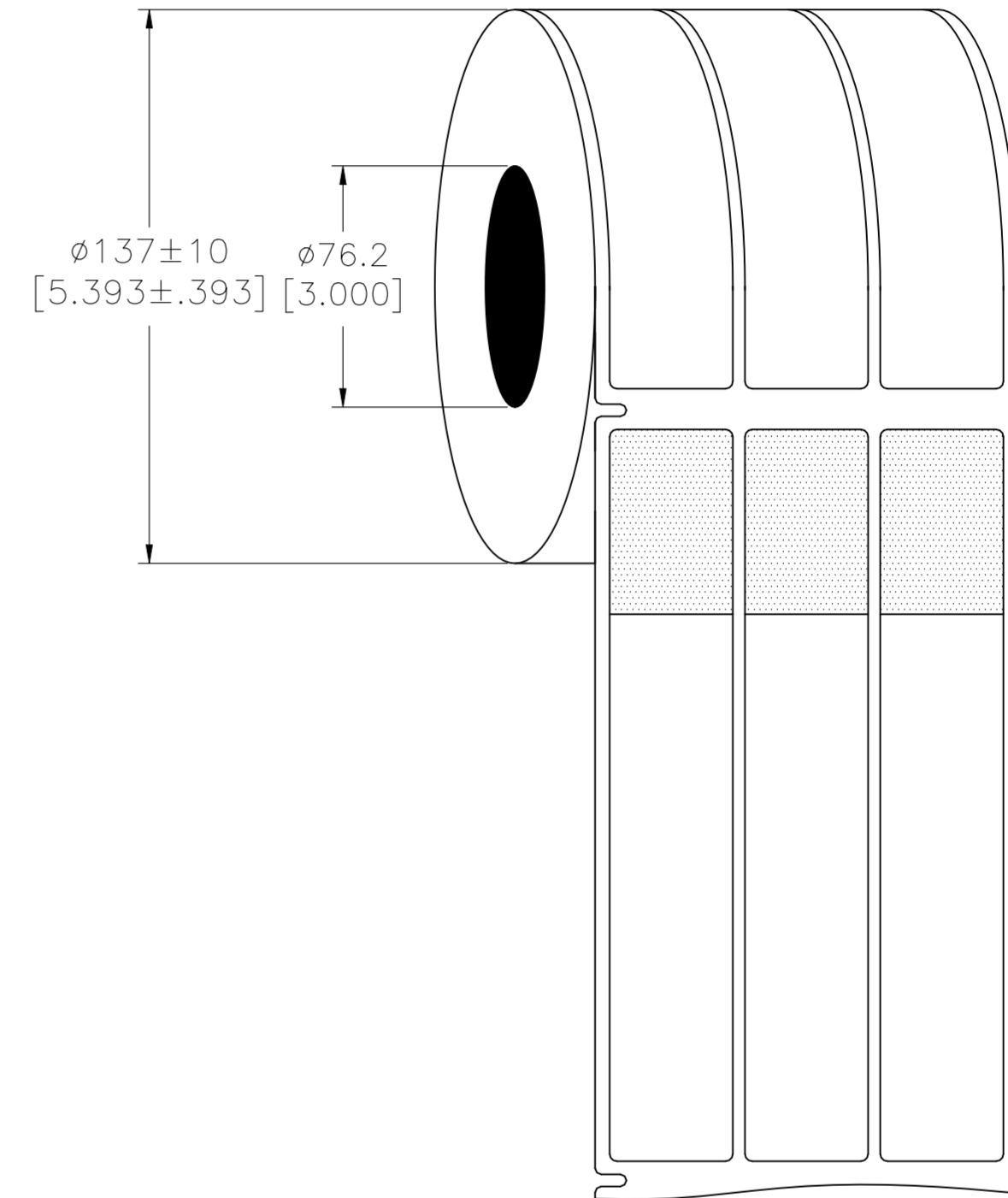


REVISIONS					
P	LTR	DESCRIPTION	DATE	DWN	APVD
A		INITIAL RELEASE	02JUL2022	GK	DB

LABEL AND LINER DESIGN



PRESENTATION



PRINT COLOR CONFORMS TO LABELING STANDARD TIA-606

OUTSIDE WOUND LABEL ACROSS: 3 PER ROLL QTY: 1000

All dimensions in mm [Inch]

TE PN: 1SET530117R0000

UL-MARKING AND LABELLING SYSTEMS		
PGIS2 - Marking and Labeling Systems, Limited Use - Component (UL 969)		
File: MH61671	Product design: SBP	Ribbon: See TE Document 411-121005

TOLERANCES mm [INCH]	
LABEL HEIGHT:	± 0.3 [.012]
LABEL WIDTH:	± 0.3 [.012]
WEB WIDTH:	± 0.8 [.031]
VERTICAL REPEAT:	± 0.8 [.031]*
HORIZONTAL REPEAT:	± 0.8 [.031]*
PRINT POSITIONING:	± 0.8 [.031]*
LEFT MARGIN:	± 0.4 [.016]
QUANTITY:	-0 % +2 %
*NON ACCUMULATING	

MATERIAL	CLEAR VINYL
ADHESIVE TYPE	ACRYLIC PERMANENT
LINEAR	WHITE KRAFT
DWN: 02JUL2022 CHK: GOPALAKRISHNA HV D.BURGAT APVD: 02JUL2022 D.BURGAT PRODUCT SPEC TTDS-283 APPLICATION SPEC	
NAME: SBP EWS Label - WHITE 25.4 x 150.9mm [1.00 x 5.94inch]	
SIZE	A2
CAGE CODE	FB1U7
DRAWING NO	SBPE35-3825-WH-1
RESTRICTED TO	-
WEIGHT	0.533g
CUSTOMER DRAWING	SCALE NTS
SHEET	1 OF 1
REV	A