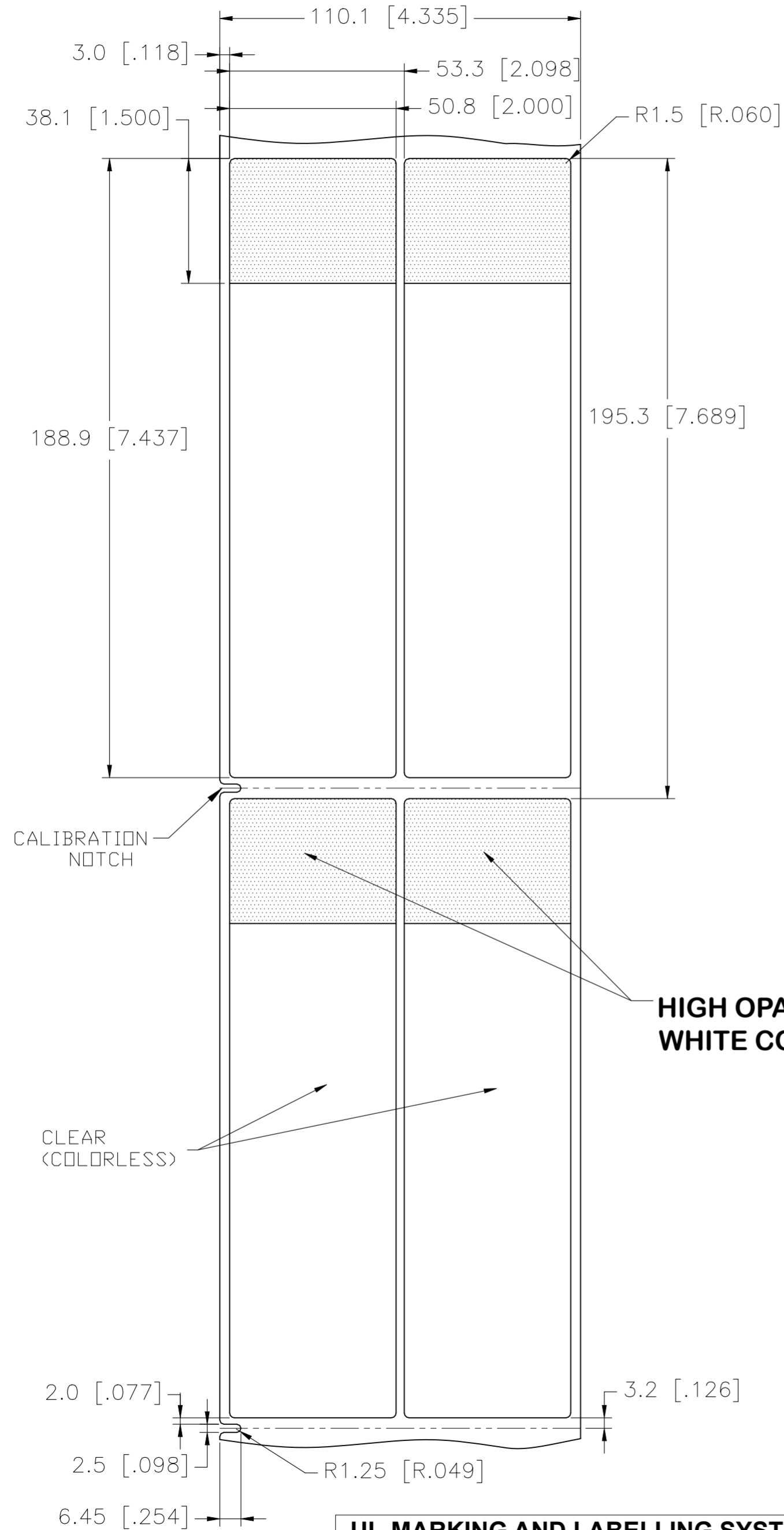
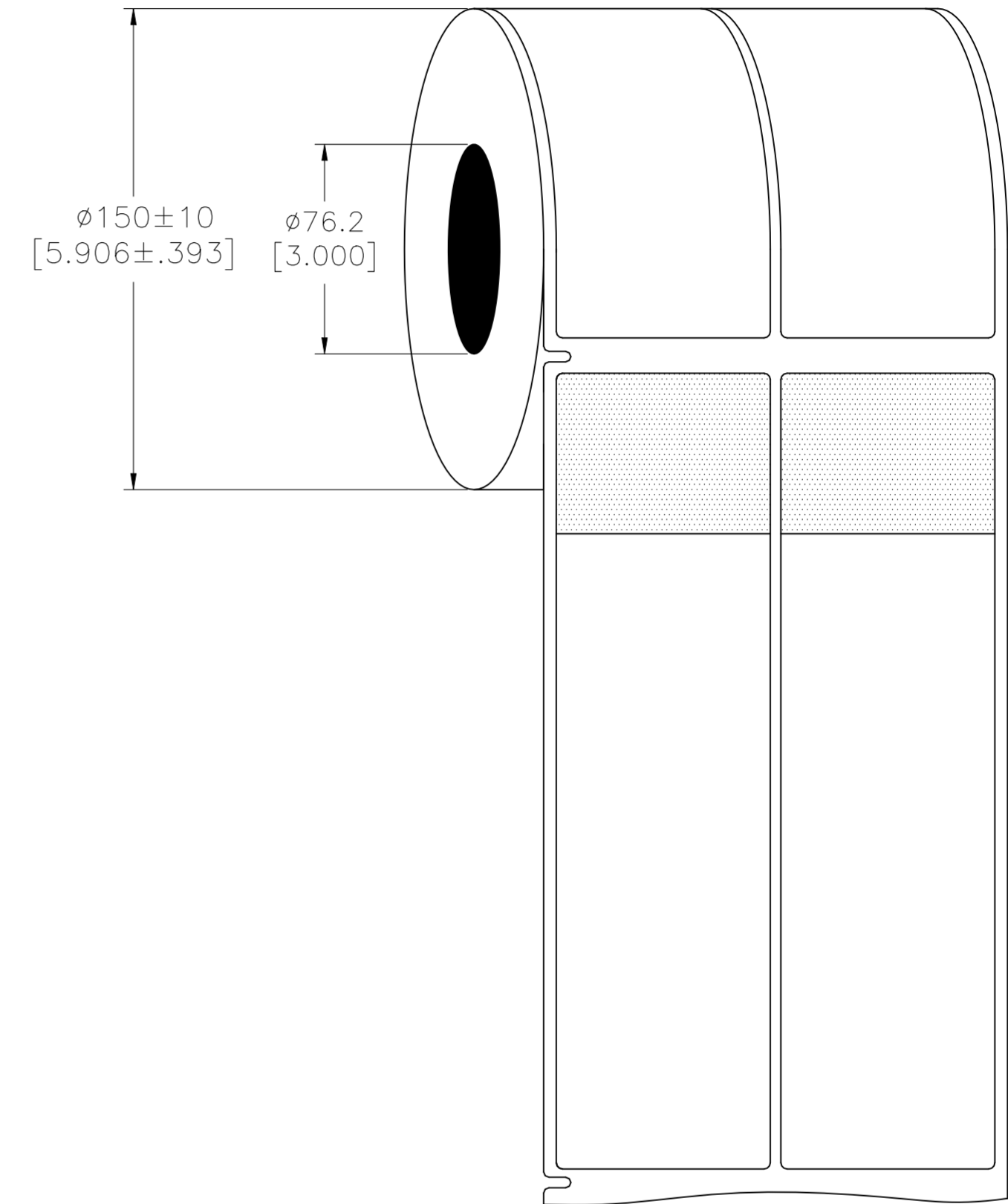


REVISIONS					
P	LTR	DESCRIPTION	DATE	DWN	APVD
	A3	INITIAL RELEASE	02JUL2022	GK	DB

### LABEL AND LINER DESIGN



### PRESENTATION



**HIGH OPACITY  
WHITE COLOR**

CLEAR  
(COLORLESS)

PRINT COLOR CONFORMS TO  
LABELING STANDARD TIA-606

**OUTSIDE WOUND  
LABEL ACROSS: 2  
PER ROLL QTY: 700**

All dimensions in mm [Inch]

**TE PN: 1SET530119R0000**

### UL-MARKING AND LABELLING SYSTEMS

PGIS2 - Marking and Labeling Systems, Limited Use - Component (UL 969)		
File: MH61671	Product design: <b>SBP</b>	Ribbon: See TE Document 411-121005

TOLERANCES mm [INCH]	
LABEL HEIGHT:	±0.3 [.012]
LABEL WIDTH:	±0.3 [.012]
WEB WIDTH:	±0.8 [.031]
VERTICAL REPEAT:	±0.8 [.031]*
HORIZONTAL REPEAT:	±0.8 [.031]*
PRINT POSITIONING:	±0.8 [.031]*
LEFT MARGIN:	±0.4 [.016]
QUANTITY:	-0 % +2 %
*NON ACCUMULATING	

THIS DRAWING IS A CONTROLLED DOCUMENT.	
DIMENSIONS: mm [INCHES]	TOLERANCES UNLESS OTHERWISE SPECIFIED:
	0 PLC ±
	1 PLC ±
	2 PLC ±
	3 PLC ±
4 PLC ±	
ANGLES	±
MATERIAL	FINISH
SEE TABLE	-

MATERIAL	CLEAR VINYL
ADHESIVE TYPE	ACRYLIC PERMANENT
LINEAR	WHITE KRAFT
DWN	02JUL2022
CHK	GOPALAKRISHNA HV
APVD	02JUL2022
PRODUCT SPEC	D.BURGAT
APPLICATION SPEC	TTDS-283
NAME	SBP EWS LABEL - WHITE
SIZE	50.8 x 188.9mm [2.00 x 7.43inch]
CAGE CODE	-
DRAWING NO	-
RESTRICTED TO	-
WEIGHT	1.334g
SCALE	A2
SHEET	1 OF 1
REV	A3
CUSTOMER DRAWING	NTS