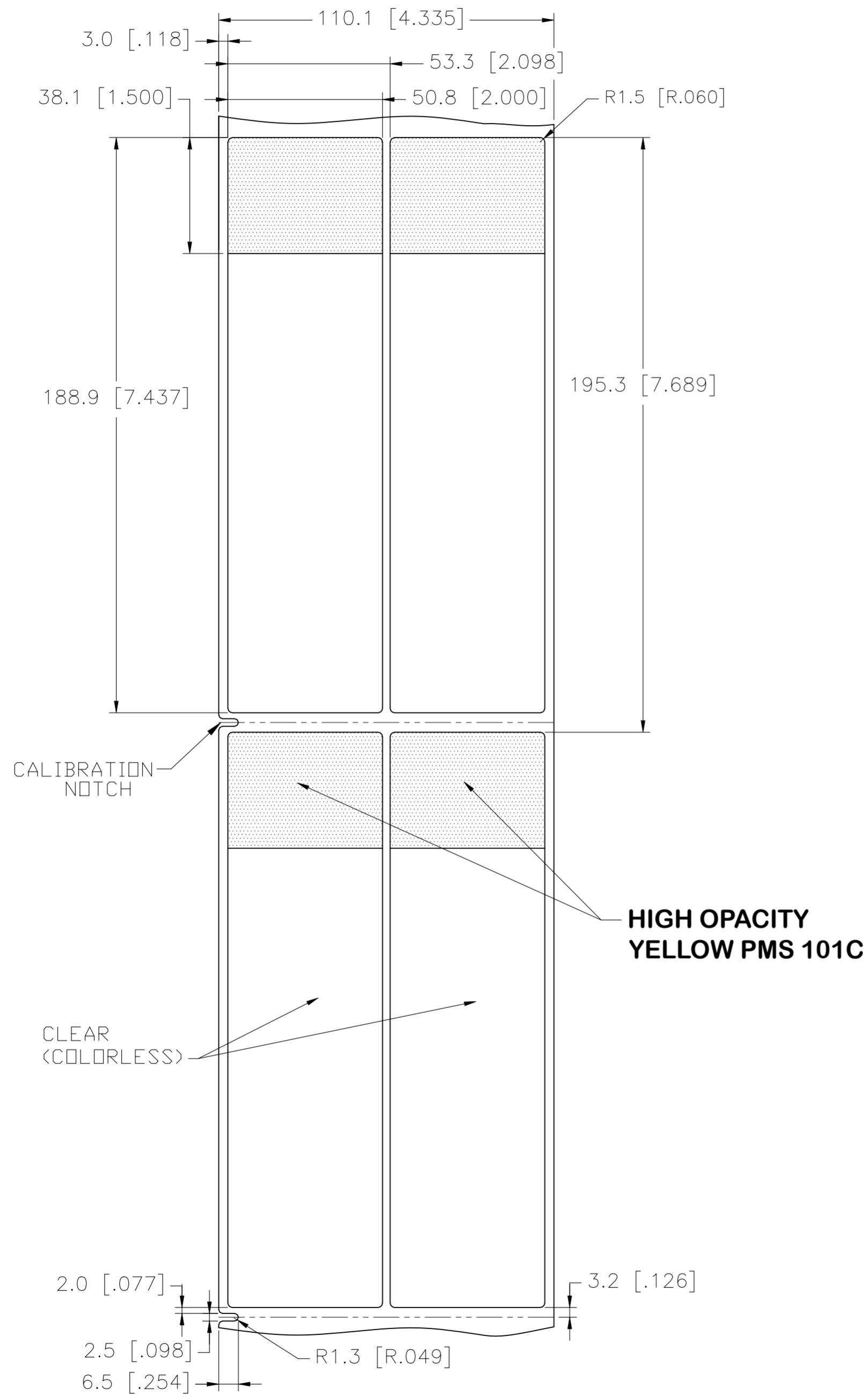
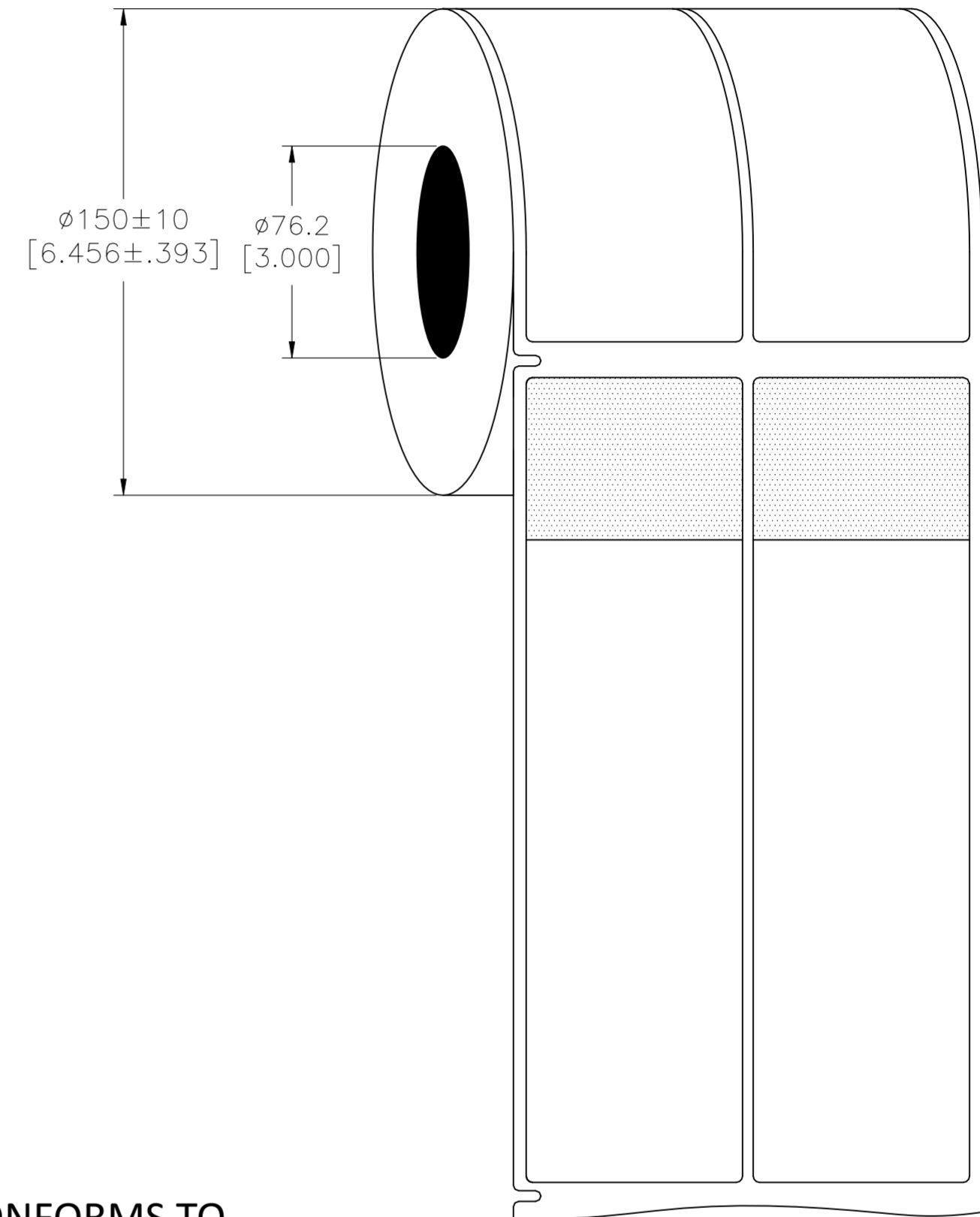


P	LTR	DESCRIPTION	DATE	DWN	APVD
A		INITIAL RELEASE	02JUL2022	GK	DB

LABEL AND LINER DESIGN



PRESENTATION



PRINT COLOR CONFORMS TO LABELING STANDARD TIA-606

OUTSIDE WOUND LABEL ACROSS: 2
PER ROLL QTY: 700

All dimensions in mm [Inch]

TE PN: 1SET530120R0000

MATERIAL	CLEAR VINYL
ADHESIVE TYPE	ACRYLIC PERMANENT
LINEAR	WHITE KRAFT
DWN	02JUL2022
CHK	GOPALAKRISHNA HV
APVD	02JUL2022
NAME	D.BURGAT
PRODUCT SPEC	TTDS-283
APPLICATION SPEC	
SIZE	A2
CAGE CODE	FB1U7
DRAWING NO	C=SBPE48-3850-YL-07
RESTRICTED TO	
WEIGHT	1.334g
CUSTOMER DRAWING	
SCALE	NTS
SHEET	1 of 1
REV	A

TOLERANCES mm [INCH]	THIS DRAWING IS A CONTROLLED DOCUMENT.	
LABEL HEIGHT:	±0.3 [0.012]	
LABEL WIDTH:	±0.3 [0.012]	
WEB WIDTH:	±0.8 [0.031]	
VERTICAL REPEAT:	±0.8 [0.031]*	
HORIZONTAL REPEAT:	±0.8 [0.031]*	
PRINT POSITIONING:	±0.8 [0.031]*	
LEFT MARGIN:	±0.4 [0.016]	
QUANTITY:	-0 % +2 %	
*NON ACCUMULATING		
DIMENSIONS:	mm [INCHES]	TOLERANCES UNLESS OTHERWISE SPECIFIED:
		0 PLC ±
		1 PLC ±
		2 PLC ±
		3 PLC ±
		4 PLC ±
		ANGLES ±
MATERIAL	SEE TABLE	FINISH