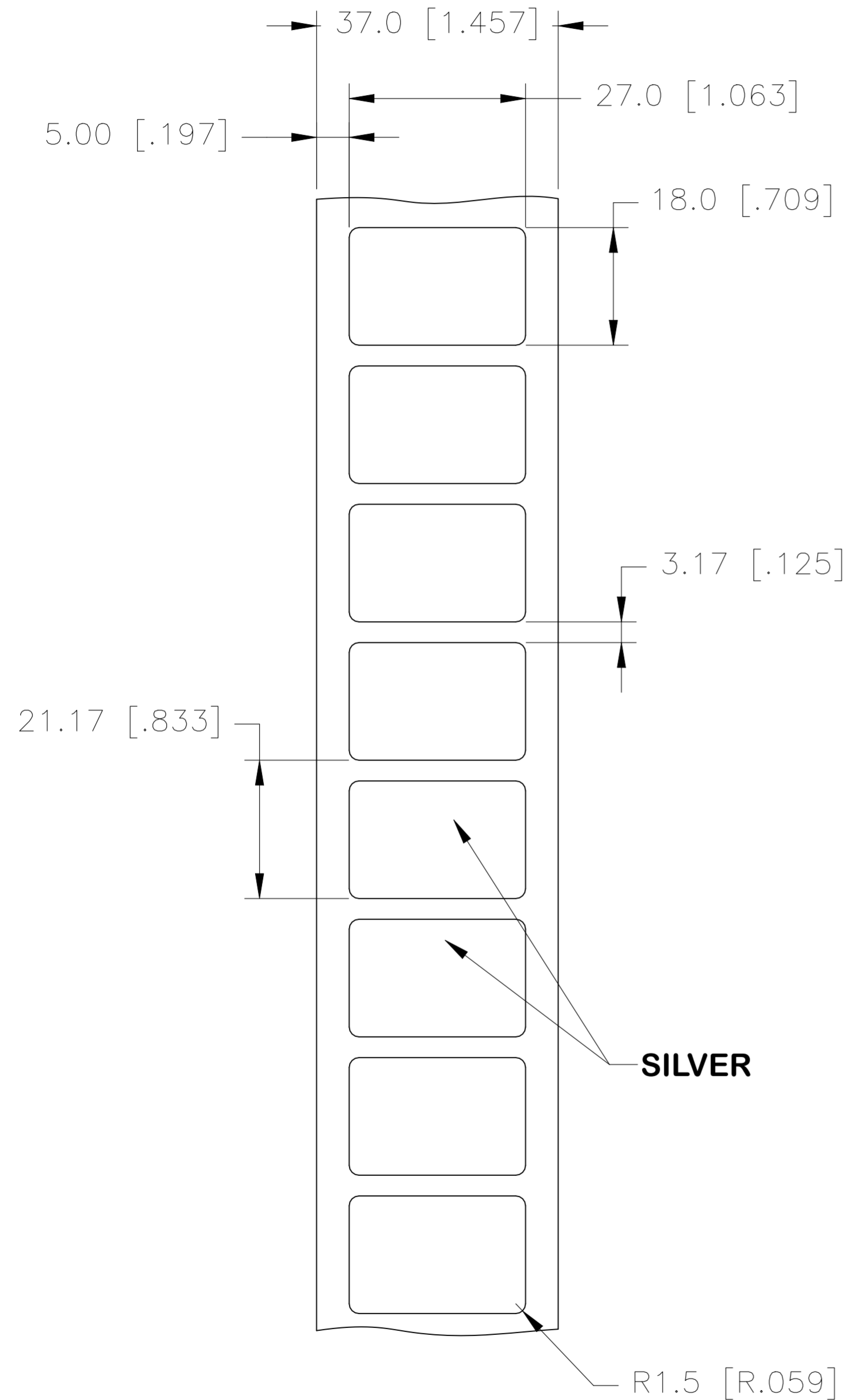
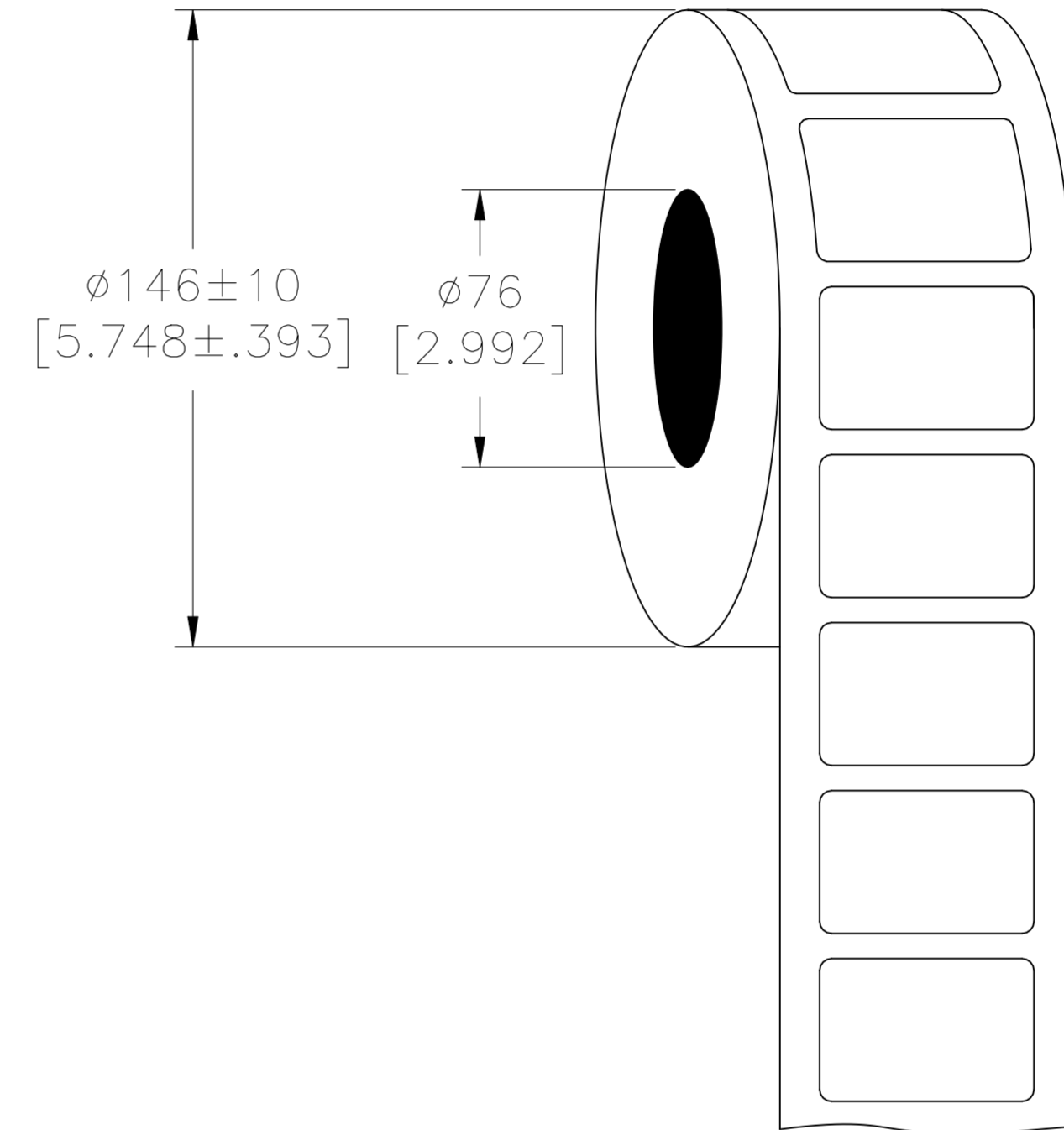


P	LTR	DESCRIPTION	DATE	DWN	APVD
	A	NEW DRAWING	06JUN2022	GK	DB

LABEL AND LINER DESIGN



PRESENTATION



**OUTSIDE WOUND
LABEL ACROSS: 1
PER ROLL QTY: 625**

All dimensions in mm [Inch]

TE PN: 1SET530202R0000

UL-MARKING AND LABELLING SYSTEMS		
PGJ12 - Printing Materials - Component (UL 969)		
PGJ18 - Printing Materials Certified for Canada - Component (CSA C22.2 No. 0.15)		
File: MH17292	Product design: PL-8A	Ribbon: 411-121005

TOLERANCES mm [INCH]	
LABEL HEIGHT:	±0.3 [0.012]
LABEL WIDTH:	±0.3 [0.012]
WEB WIDTH:	±0.5 [0.020]
VERTICAL REPEAT:	±0.5 [0.020]*
HORIZONTAL REPEAT:	±0.5 [0.020]*
LABEL POSITIONING:	±0.5 [0.020]*
LEFT MARGIN:	±0.5 [0.020]
QUANTITY:	-0 % +2 %
*NON ACCUMULATING	

DIMENSIONS:		TOLERANCES UNLESS OTHERWISE SPECIFIED:	
mm [INCHES]			
		0 PLC	±
		1 PLC	±
		2 PLC	±
		3 PLC	±
		4 PLC	±
		ANGLES	±
MATERIAL	SEE TABLE	FINISH	SATIN

MATERIAL		POLYESTER SATIN METALIZED			
ADHESIVE TYPE		ACRYLIC PE FOAM			
LINEAR		BROWN KRAFT			
DWN	GOPALAKRISHNA HV	TE Connectivity			
CHK	D.BURGAT	TE Connectivity			
APVD	D.BURGAT	TE Connectivity			
PRODUCT SPEC	TTDS-285	PANEL LABEL-SILVER			
APPLICATION SPEC		27.0 x 18.0mm [1.063 x 0.709inch]			
WEIGHT	0.229g	SIZE	A2	CAGE CODE	FB1U7
CUSTOMER DRAWING		DRAWING NO	C=PLE-027018-GY-0.625		RESTRICTED TO
		SCALE	NTS	SHEET	1 of 1
		REV	A		