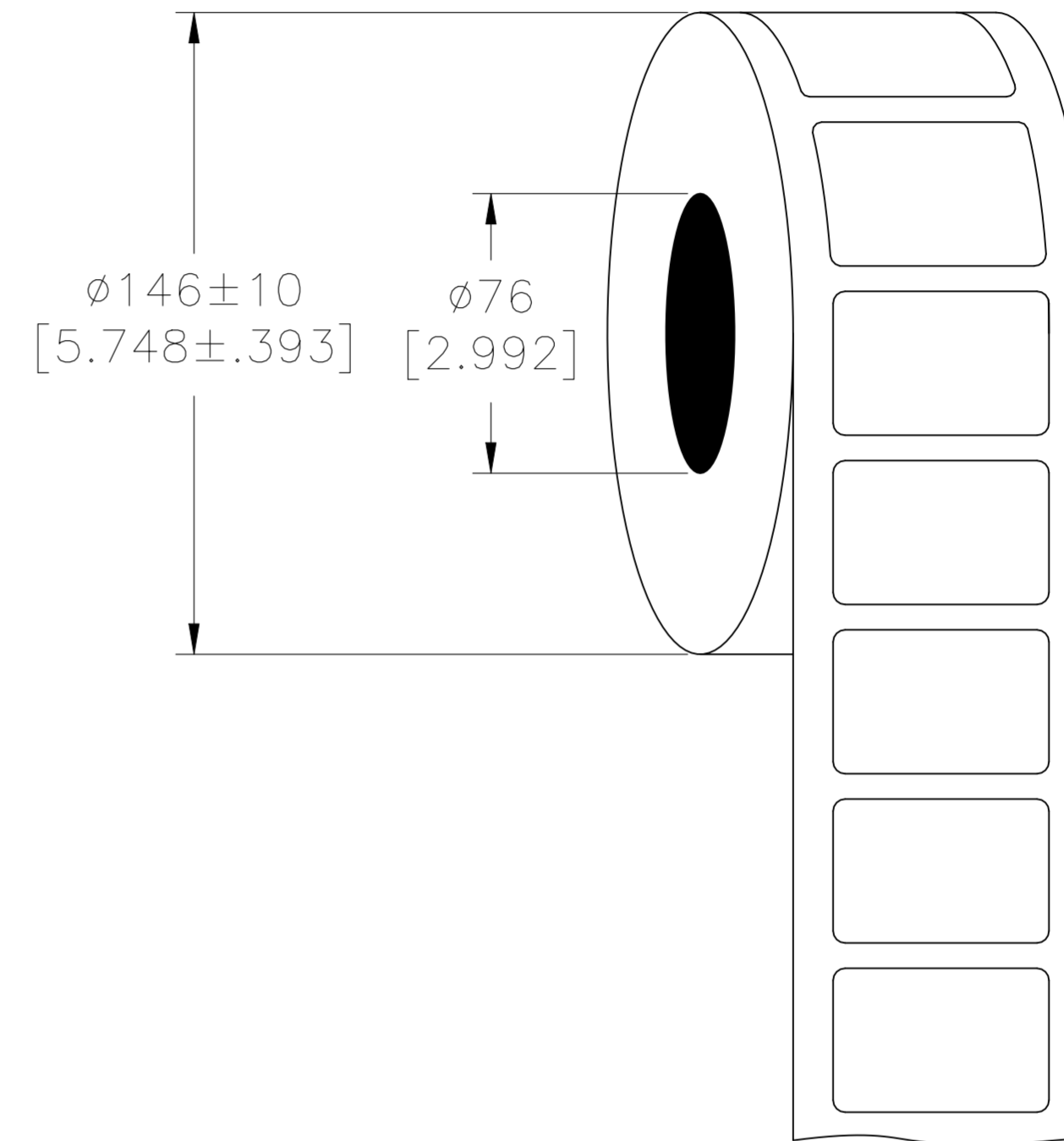
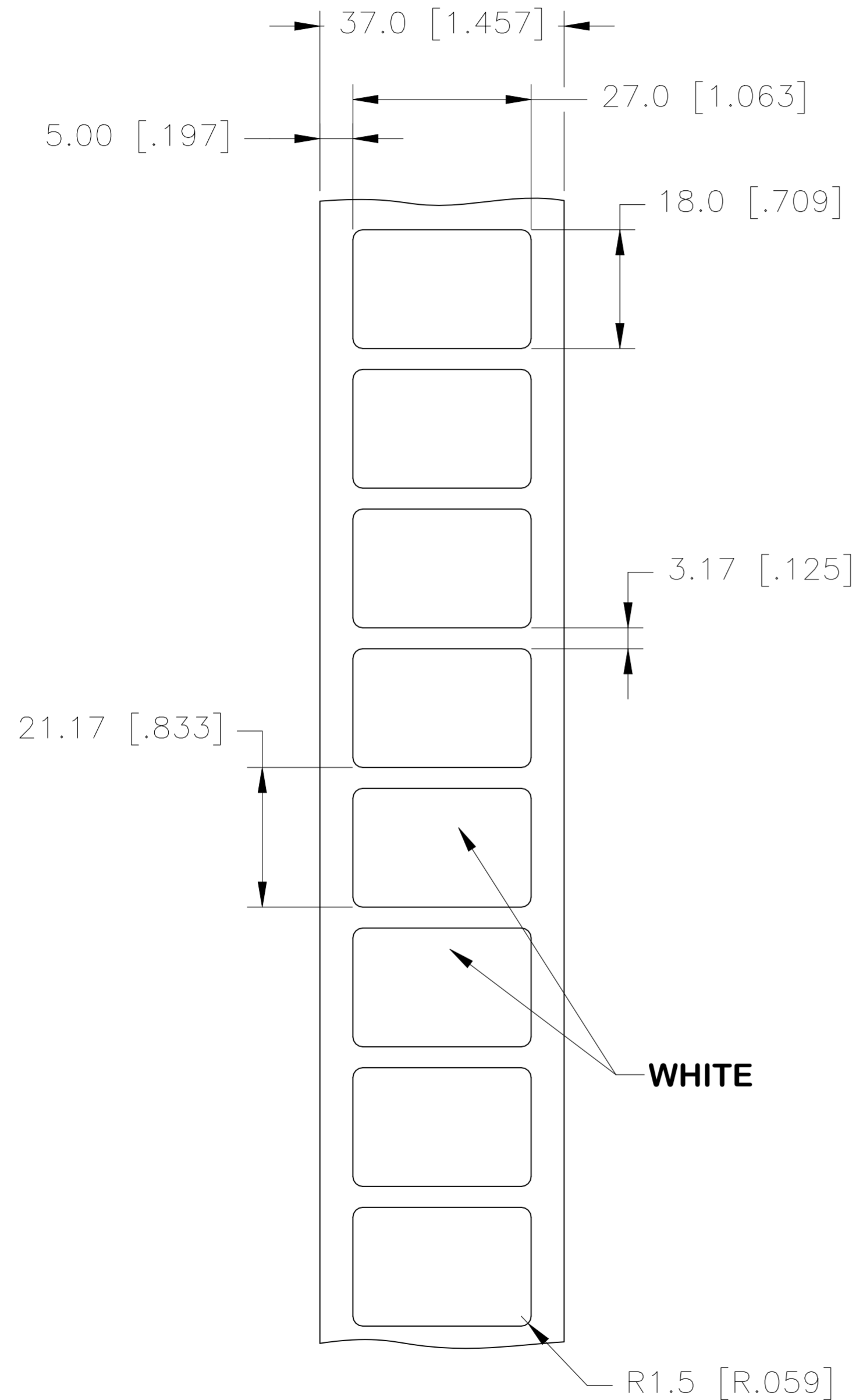


P	LTR	DESCRIPTION	DATE	DWN	APVD
	A	NEW DRAWING	07JUN2022	GK	DB

LABEL AND LINER DESIGN

PRESENTATION



OUTSIDE WOUND LABEL ACROSS: 1 PER ROLL QTY: 625

All dimensions in mm [Inch]

TE PN: 1SET530203R0000

UL-MARKING AND LABELLING SYSTEMS		
PGJ12 - Printing Materials - Component (UL 969)		
PGJ18 - Printing Materials Certified for Canada - Component (CSA C22.2 No. 0.15)		
File: MH17292	Product design: PL-9	Ribbon: 411-121005

TOLERANCES mm [INCH]	
LABEL HEIGHT:	± 0.3 [.012]
LABEL WIDTH:	± 0.3 [.012]
WEB WIDTH:	± 0.5 [.020]
VERTICAL REPEAT:	± 0.5 [.020]*
HORIZONTAL REPEAT:	± 0.5 [.020]*
LABEL POSITIONING:	± 0.5 [.020]*
LEFT MARGIN:	± 0.5 [.020]
QUANTITY:	-0 % +2 %
*NON ACCUMULATING	

MATERIAL	POLYESTER WHITE GLOSS	
ADHESIVE TYPE	ACRYLIC PE FOAM	
LINEAR	BROWN KRAFT	
DWN	GOPALAKRISHNA HV	
CHK	D.BURGAT	
APVD	D.BURGAT	
PRODUCT SPEC	TTDS-285	
APPLICATION SPEC	-	
NAME	PANEL LABEL-WHITE	
SIZE	CAGE CODE	DRAWING NO
WEIGHT	A2 FB1U7	C=PLE-027018-WH-0.625
CUSTOMER DRAWING	SCALE	SHEET 1 of 1
	NTS	REV A