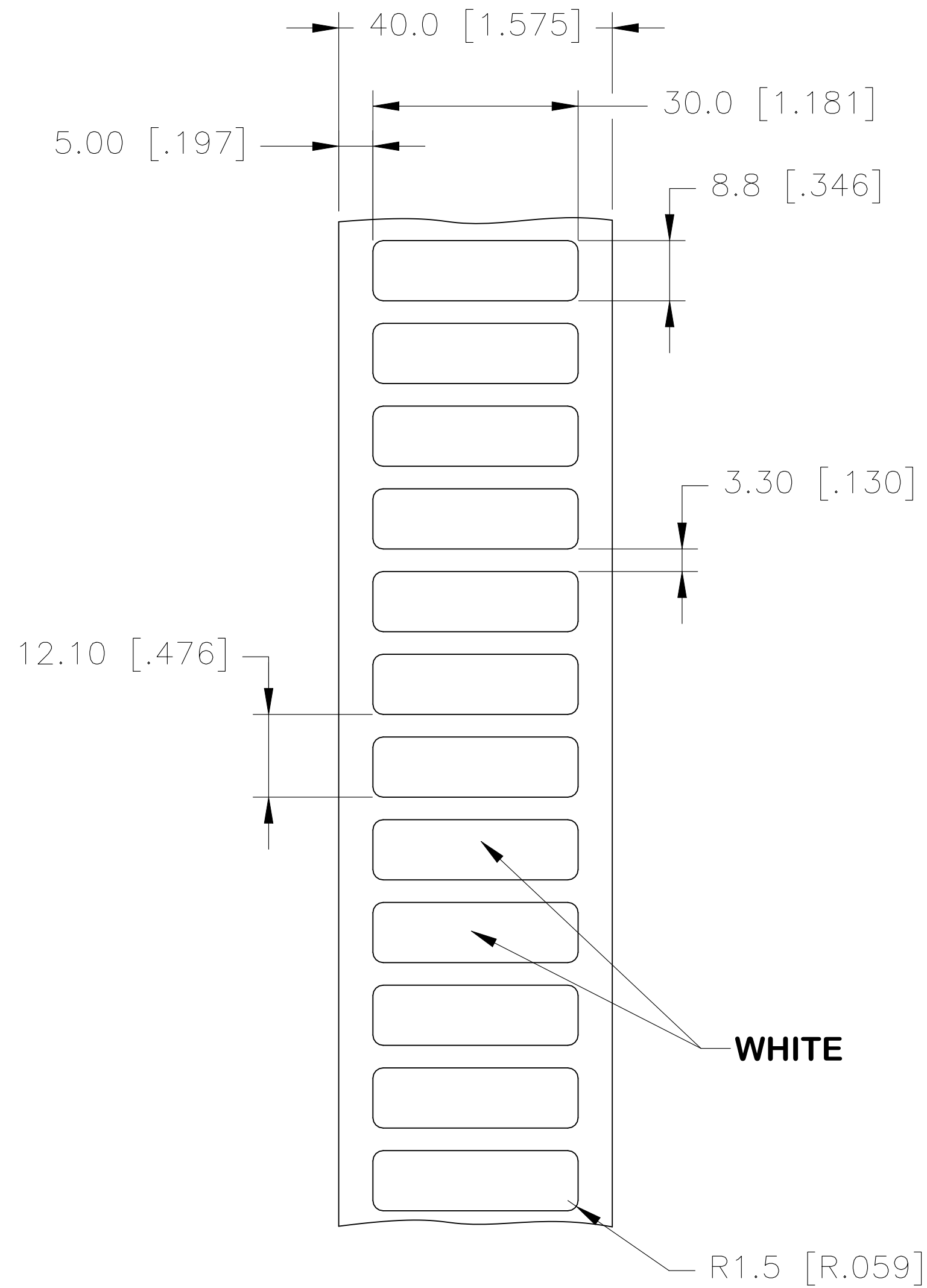
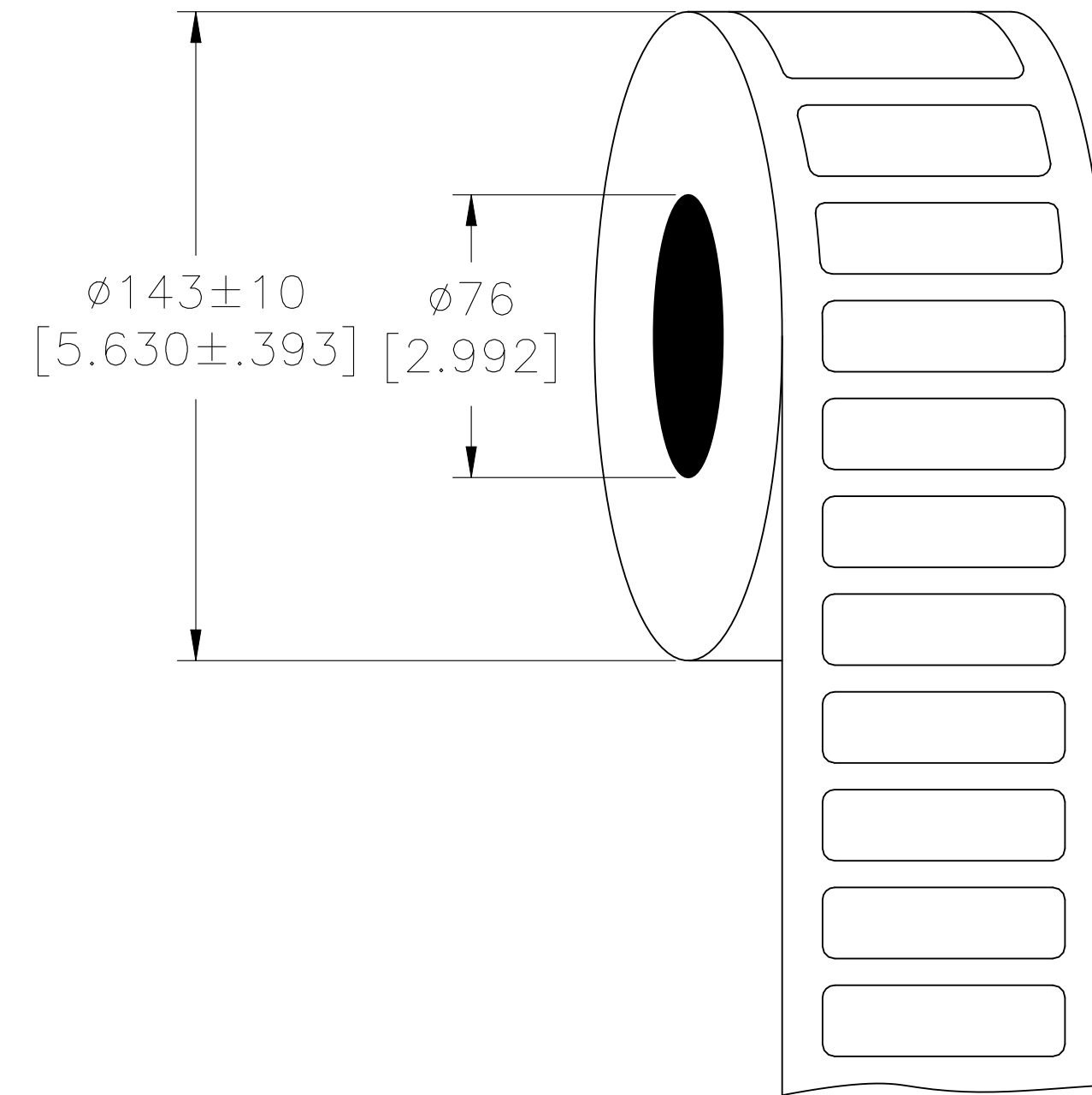


P	LTR	DESCRIPTION	DATE	DWN	APVD
	A	NEW DRAWING	07JUN2022	GK	DB

LABEL AND LINER DESIGN



PRESENTATION



**OUTSIDE WOUND
LABEL ACROSS: 1
PER ROLL QTY: 1000**

All dimensions in mm [Inch]

TE PN: 1SET530204R0000

UL-MARKING AND LABELLING SYSTEMS		
PGJ12 - Printing Materials - Component (UL 969)		
PGJ18 - Printing Materials Certified for Canada - Component (CSA C22.2 No. 0.15)		
File: MH17292	Product design: PL-9	Ribbon: 411-121005

TOLERANCES mm [INCH]	
LABEL HEIGHT:	± 0.3 [.012]
LABEL WIDTH:	± 0.3 [.012]
WEB WIDTH:	± 0.5 [.020]
VERTICAL REPEAT:	± 0.5 [.020]*
HORIZONTAL REPEAT:	± 0.5 [.020]*
LABEL POSITIONING:	± 0.5 [.020]*
LEFT MARGIN:	± 0.5 [.020]
QUANTITY:	-0 % +2 %
*NON ACCUMULATING	

DIMENSIONS:		TOLERANCES UNLESS OTHERWISE SPECIFIED:	
mm [INCHES]			
		0 PLC	\pm
		1 PLC	\pm
		2 PLC	\pm
		3 PLC	\pm
		4 PLC	\pm
		ANGLES	\pm

MATERIAL	POLYESTER WHITE GLOSS		
ADHESIVE TYPE	ACRYLIC PE FOAM		
LINEAR	BROWN KRAFT		
DWN	07JUN2022	GOPALAKRISHNA HV	
CHK	07JUN2022	D.BURGAT	
APVD	07JUN2022	D.BURGAT	
PRODUCT SPEC	TTDS-285		
APPLICATION SPEC	-		
WEIGHT	0.124 _g	SIZE	A2
CUSTOMER DRAWING	SCALE	N/A	SHEET 1 of 1



PANEL LABEL-WHITE
30.0 x 8.8mm [1.181 x 0.346inch]