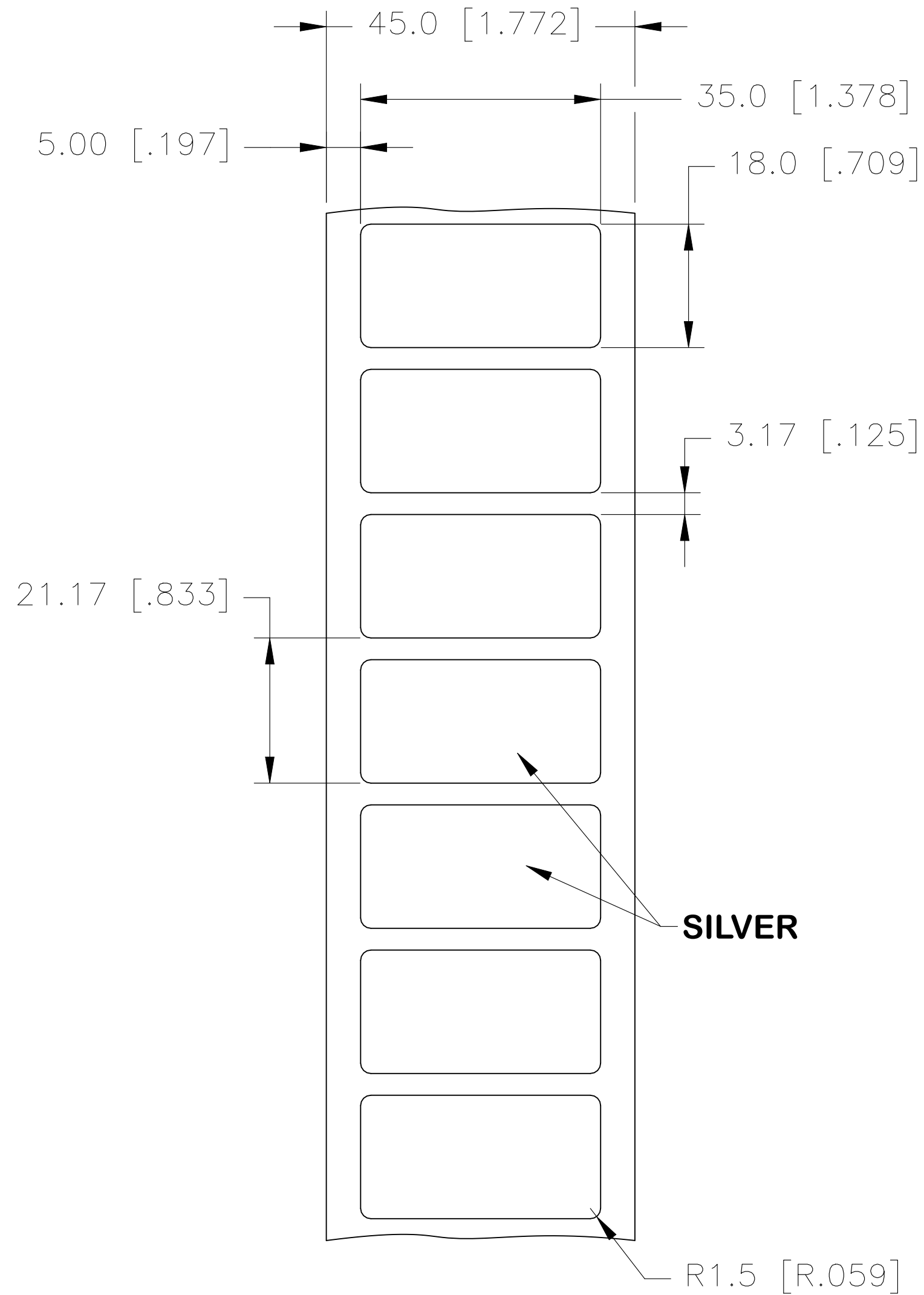
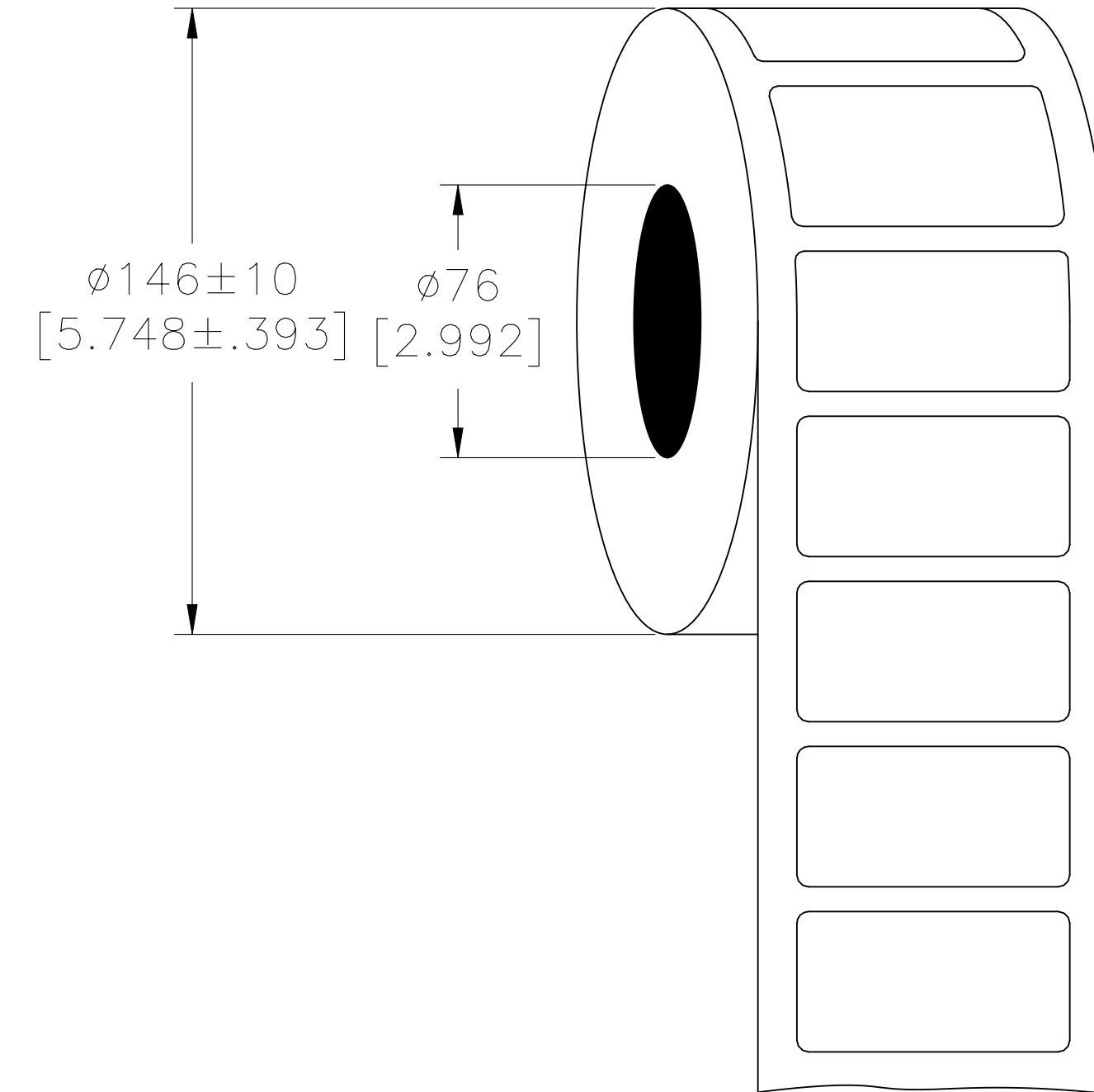


P	LTR	DESCRIPTION	DATE	DWN	APVD
	A	NEW DRAWING	08JUN2022	GK	DB

### LABEL AND LINER DESIGN



### PRESENTATION



**OUTSIDE WOUND  
LABEL ACROSS: 1  
PER ROLL QTY: 625**

All dimensions in mm [Inch]

**TE PN: 1SET530206R0000**

UL-MARKING AND LABELLING SYSTEMS		
PGJ12 - Printing Materials - Component (UL 969)		
PGJ18 - Printing Materials Certified for Canada - Component (CSA C22.2 No. 0.15)		
File: MH17292	Product design: <b>PL-8A</b>	Ribbon: 411-121005

TOLERANCES mm [INCH]	
LABEL HEIGHT:	±0.3 [.012]
LABEL WIDTH:	±0.3 [.012]
WEB WIDTH:	±0.5 [.020]
VERTICAL REPEAT:	±0.5 [.020]*
HORIZONTAL REPEAT:	±0.5 [.020]*
LABEL POSITIONING:	±0.5 [.020]*
LEFT MARGIN:	±0.5 [.020]
QUANTITY:	-0 % +2 %
*NON ACCUMULATING	

MATERIAL		POLYESTER SATIN METALIZED	
ADHESIVE TYPE		ACRYLIC PE FOAM	
LINEAR		BROWN KRAFT	
DWN: GOPALAKRISHNA HV		TE Connectivity	
CHK: D.BURGAT		TE Connectivity	
APVD: D.BURGAT		NAME: PANEL LABEL-SILVER	
PRODUCT SPEC: TTDS-285		35.0 x 18.0mm [1.378 x 0.709inch]	
APPLICATION SPEC: -		-	
WEIGHT: 0.297g	SIZE: A2	CAGE CODE: FB1U7	DRAWING NO: PLE-035018-GY-0.625
CUSTOMER DRAWING		SCALE: NTS	SHEET: 1 of 1