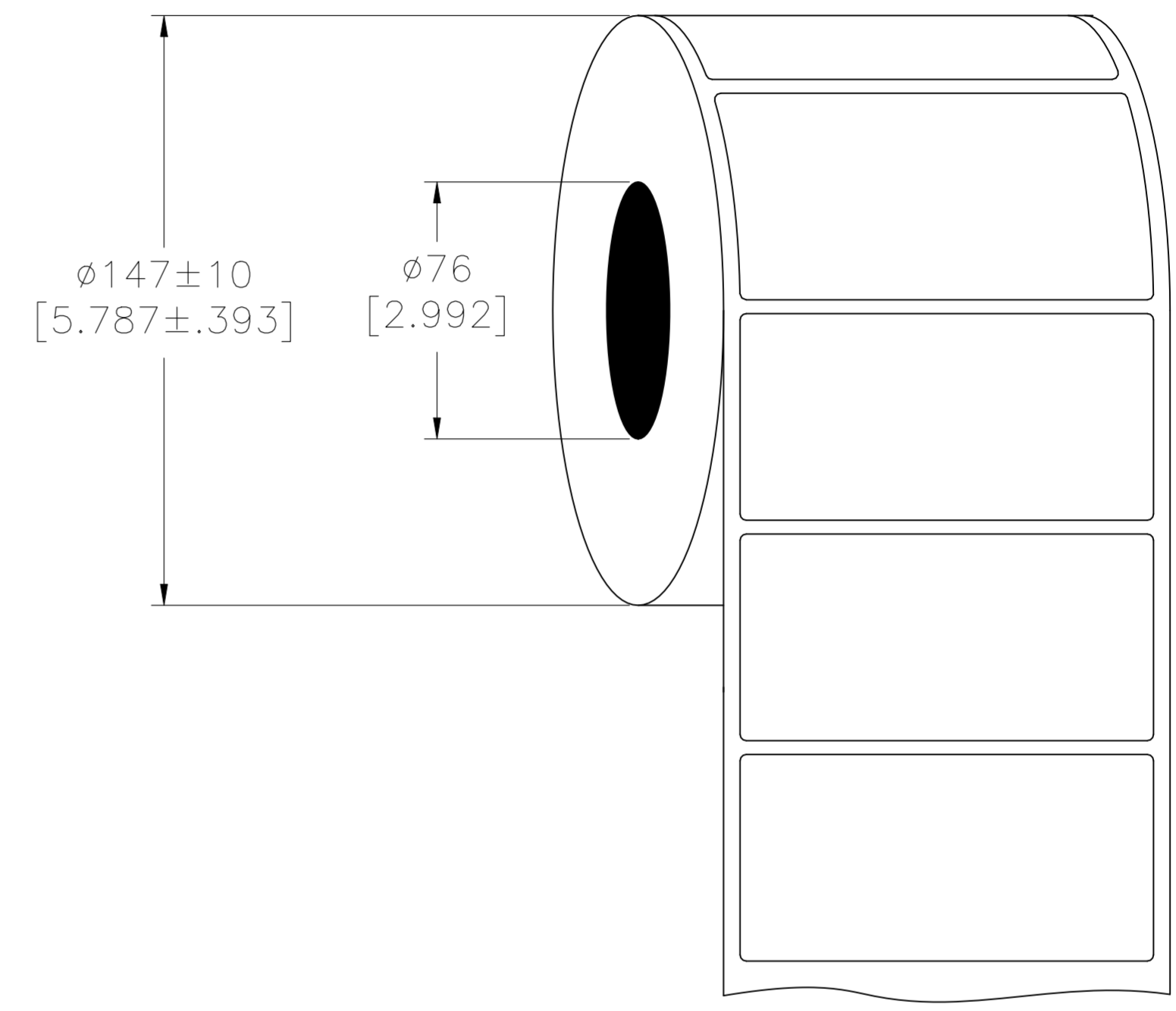
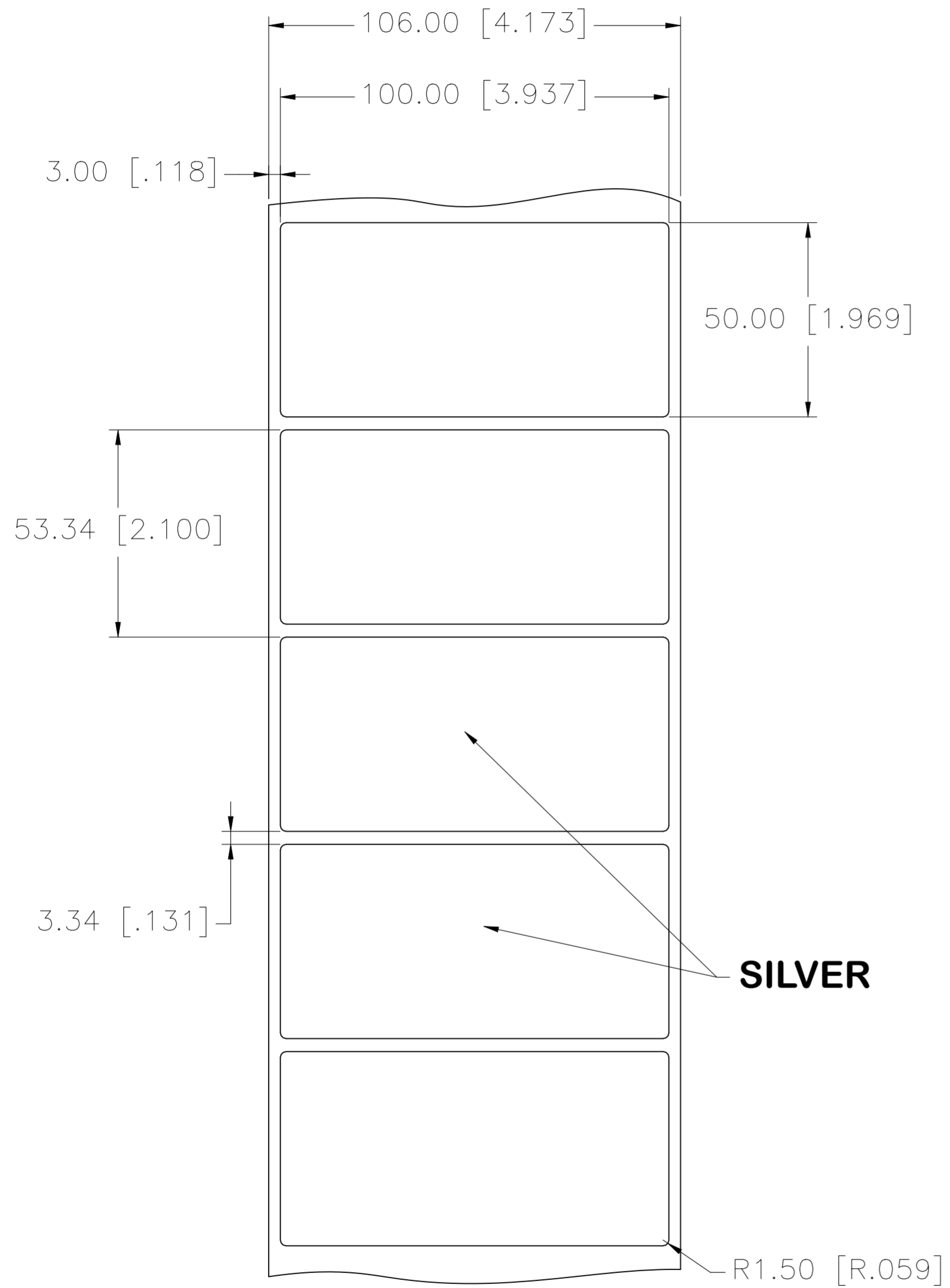


| P | LTR | DESCRIPTION | DATE | DWN | APVD |
|---|-----|-------------|-----------|-----|------|
| | A | NEW DRAWING | 09JUN2022 | GK | DB |

LABEL AND LINER DESIGN

PRESENTATION



OUTSIDE WOUND LABEL ACROSS: 1 PER ROLL QTY: 250

All dimensions in mm [Inch]
TE PN: 1SET530212R0000

| UL-MARKING AND LABELLING SYSTEMS | | |
|--|------------------------------|--------------------|
| PGJ12 - Printing Materials - Component (UL 969) | | |
| PGJ18 - Printing Materials Certified for Canada - Component (CSA C22.2 No. 0.15) | | |
| File: MH17292 | Product design: PL-8A | Ribbon: 411-121005 |

| TOLERANCES mm [INCH] | |
|----------------------|-------------------|
| LABEL HEIGHT: | ± 0.3 [.012] |
| LABEL WIDTH: | ± 0.3 [.012] |
| WEB WIDTH: | ± 0.5 [.020] |
| VERTICAL REPEAT: | ± 0.5 [.020]* |
| HORIZONTAL REPEAT: | ± 0.5 [.020]* |
| LABEL POSITIONING: | ± 0.5 [.020]* |
| LEFT MARGIN: | ± 0.5 [.020] |
| QUANTITY: | -0 % +2 % |
| *NON ACCUMULATING | |

| | | |
|------------------|------------------------------------|----------------------|
| MATERIAL | POLYESTER SATIN METALIZED | |
| ADHESIVE TYPE | ACRYLIC PE FOAM | |
| LINEAR | BROWN KRAFT | |
| DWN | GOPALAKRISHNA HV | |
| CHK | D.BURGAT | |
| APVD | D.BURGAT | |
| PRODUCT SPEC | TTDS-285 | |
| APPLICATION SPEC | | |
| NAME | PANEL LABEL-SILVER | |
| SIZE | 100.0 x 50.0mm [3.937 x 1.969inch] | |
| CAGE CODE | - | |
| DRAWING NO | - | |
| RESTRICTED TO | - | |
| WEIGHT | 2.355g | |
| CUSTOMER DRAWING | A2 FB1U7 | C=PLE-100050-GY-0.25 |
| SCALE | NTS | SHEET 1 of 1 |
| REV | A | |