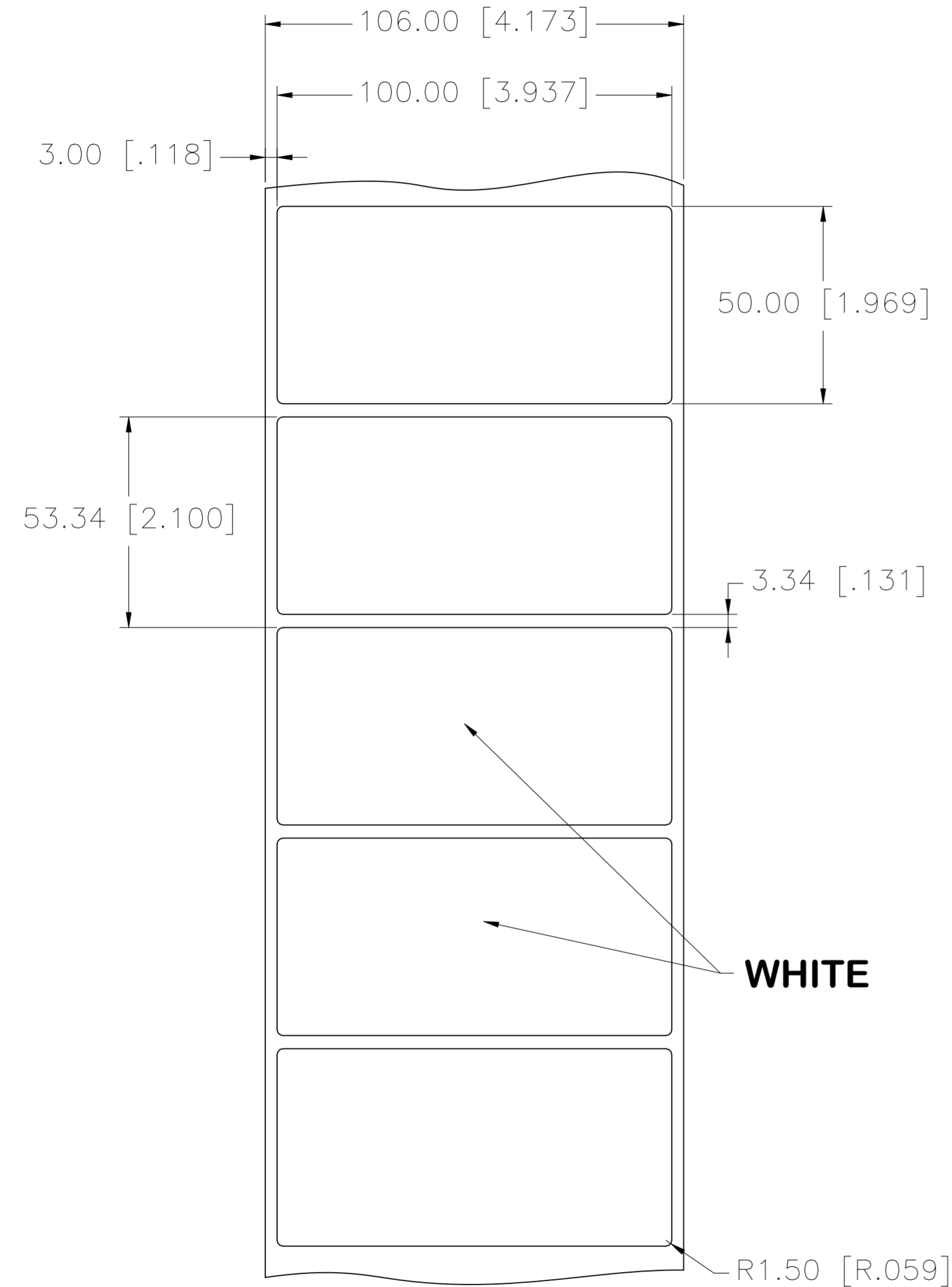
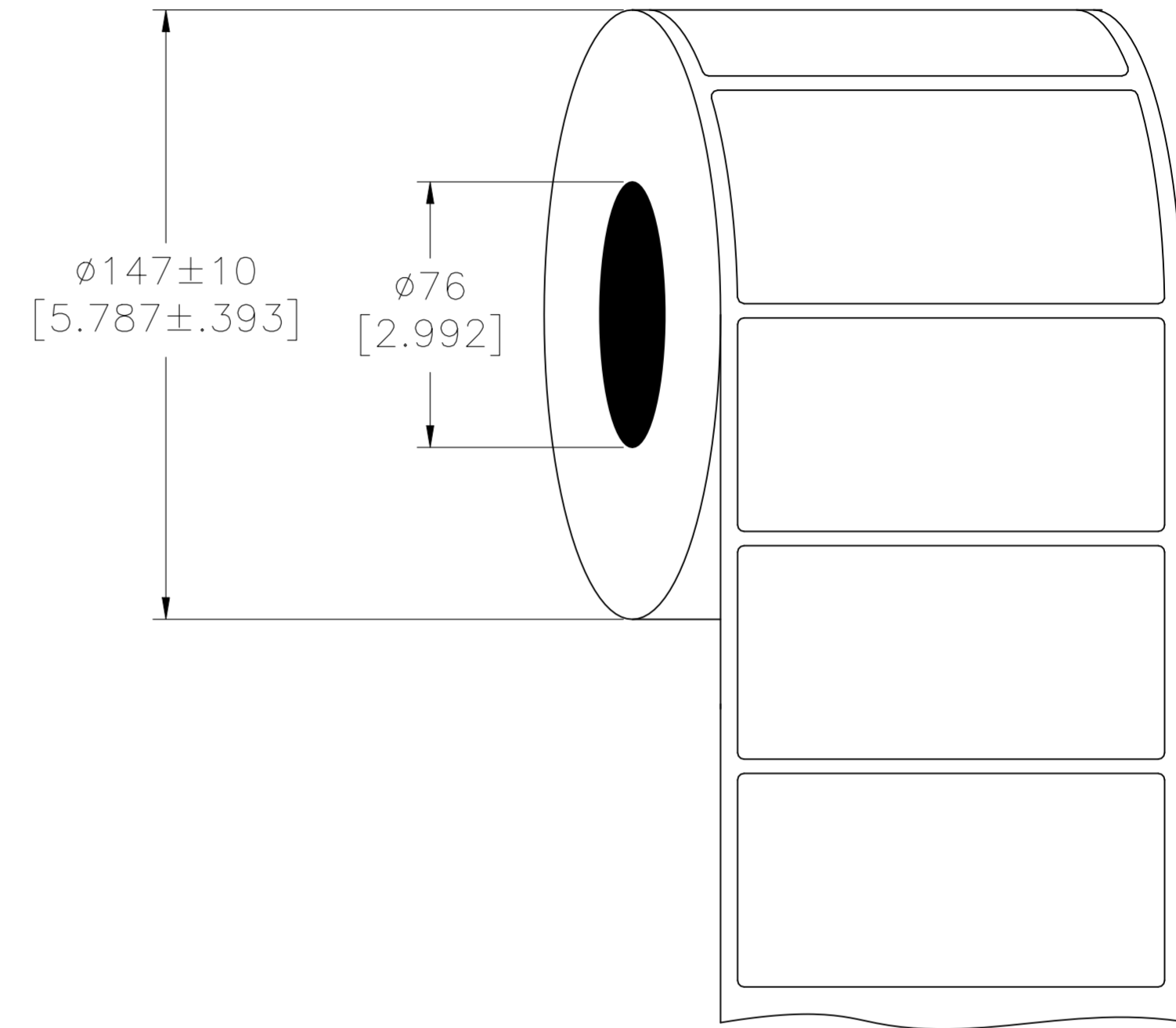


P	LTR	DESCRIPTION	DATE	DWN	APVD
A		NEW DRAWING	09JUN2022	GK	DB

LABEL AND LINER DESIGN



PRESENTATION



OUTSIDE WOUND LABEL ACROSS: 1 PER ROLL QTY: 250

All dimensions in mm [Inch]

TE PN: 1SET530213R0000

UL-MARKING AND LABELLING SYSTEMS		
PGJ12 - Printing Materials - Component (UL 969)		
PGJ18 - Printing Materials Certified for Canada - Component (CSA C22.2 No. 0.15)		
File: MH17292	Product design: PL-9	Ribbon: 411-121005

TOLERANCES mm [INCH]	
LABEL HEIGHT:	± 0.3 [.012]
LABEL WIDTH:	± 0.3 [.012]
WEB WIDTH:	± 0.5 [.020]
VERTICAL REPEAT:	± 0.5 [.020]*
HORIZONTAL REPEAT:	± 0.5 [.020]*
LABEL POSITIONING:	± 0.5 [.020]*
LEFT MARGIN:	± 0.5 [.020]
QUANTITY:	-0 % +2 %
*NON ACCUMULATING	

DIMENSIONS: mm [INCHES]		TOLERANCES UNLESS OTHERWISE SPECIFIED:	
0 PLC	\pm	1 PLC	\pm
1 PLC	\pm	2 PLC	\pm
2 PLC	\pm	3 PLC	\pm
3 PLC	\pm	4 PLC	\pm
4 PLC	\pm	ANGLES	\pm
MATERIAL	SEE TABLE	FINISH	GLOSS

MATERIAL	POLYESTER WHITE GLOSS	
ADHESIVE TYPE	ACRYLIC PE FOAM	
LINEAR	BROWN KRAFT	
DWN	GOPALAKRISHNA HV	
CHK	D.BURGAT	
APVD	D.BURGAT	
PRODUCT SPEC	TTDS-285	
APPLICATION SPEC	-	
WEIGHT	2.355g	SIZE
CUSTOMER DRAWING	A2	CAGE CODE
SCALE	NTS	DRAWING NO
SHEET	1 of 1	RESTRICTED TO
REV	A	

