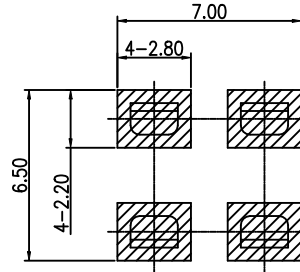
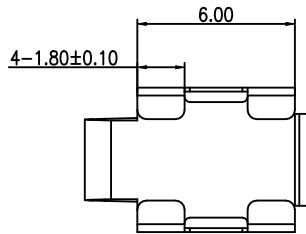
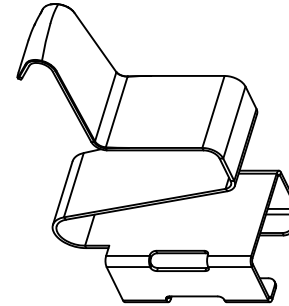
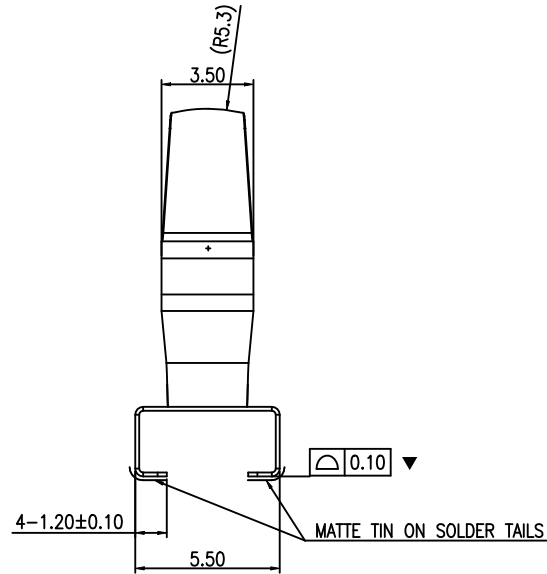
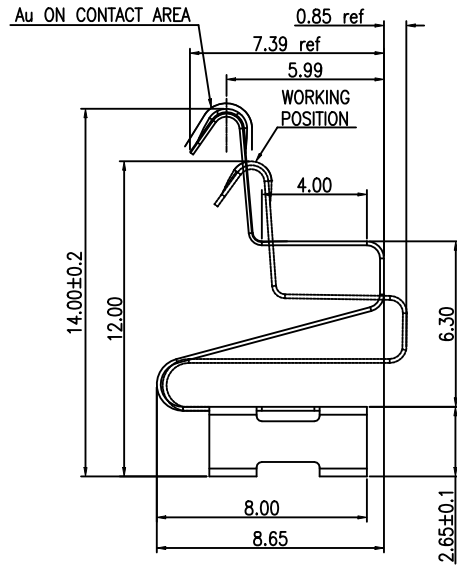


| REV. | ECR/ECN No. | DESCRIPTION | DRAWN/DATE | CHECKED/DATE | APPROVED/DATE |
|------|-------------|-------------------------------|----------------------|----------------------|---------------------|
| B | ECN20190075 | CHANGE PLATING SPECIFICATIONS | Staven 2019-07-18 | Biao 2019-07-18 | Jimmy 2019-07-18 |
| C | ECN2022112 | UPDATE FRAME | Abner 2022-07-20 | Staven 2022-07-20 | Sam 2022-07-20 |



PCB LAYOUT

NOTES:

1. MATERIAL: SUS 304-H T=0.15mm;
2. BURR: 0.03mm MAX.
3. PLATING: Au 2u" SURFACE PLATING OVER CONTACT AREAS, Tin 100-200u" SURFACE PLATING OVER SOLDER AREAS, Ni 40-120u" UNDER PLATING OVER ALL.
4. ALL MATERIAL MUST BE COMPLY WITH RoHS2.0
5. "▼" MARKED IS CPK & X-R.

| UNLESS OTHERWISE SPECIFIED TOLERANCES | | | | ANGLE OF PROJECTION | | Amphenol AORORA | |
|---------------------------------------|-------|-----------|------|----------------------|------------|--|-----------------------|
| X. | ±0.38 | X. ° | ± 3' | | | Amphenol Aorora Technology (Huizhou) Co.,Ltd | |
| X.X | ±0.30 | X.X ° | ± 2' | | | | |
| X.XX | ±0.25 | X.XX ° | ± 1' | DOC TYP Customer Drw | | TITLE: | |
| X.XXX | ±0.15 | X.XXX ° | ± 1' | DRAWN | DATE | H14mm SPRING | |
| LINEAR DIMS | | | | DESIGN | DATE | MATTE TIN ON SOLDER TAILS | |
| ANGLES DIMS | | | | Abner | 2022-07-20 | SIZE | DWG NO. |
| P/N: A-S0527 | | | | Abner | 2022-07-20 | A4 | Z01U-4G7L1-11000-E000 |
| MATERIAL | | SEE NOTES | | CHECKED | DATE | REV. | C |
| FINISHED | | SEE NOTES | | Staven | 2022-07-20 | SCALE | 1:1 |
| | | | | APPROVED | DATE | UNIT : mm | SHEET 1 OF 1 |
| | | | | Sam | 2022-07-20 | | |

