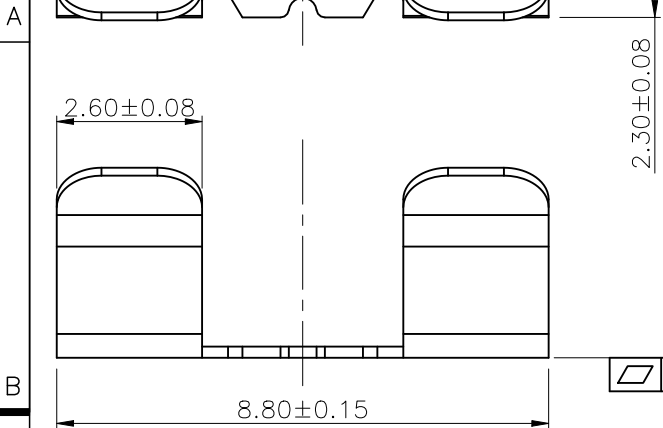
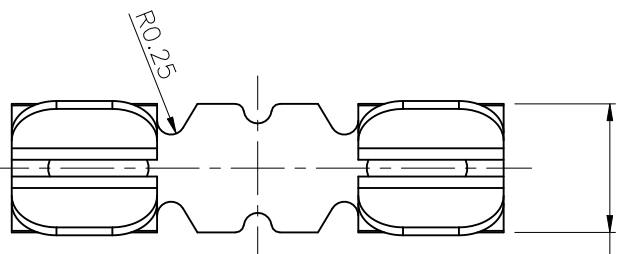
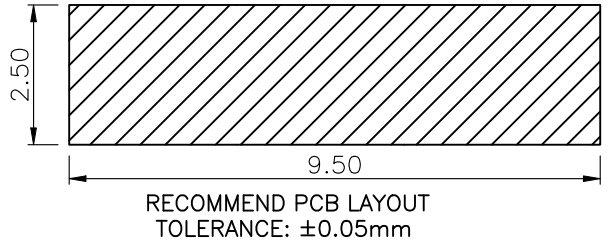
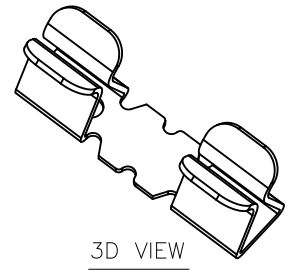
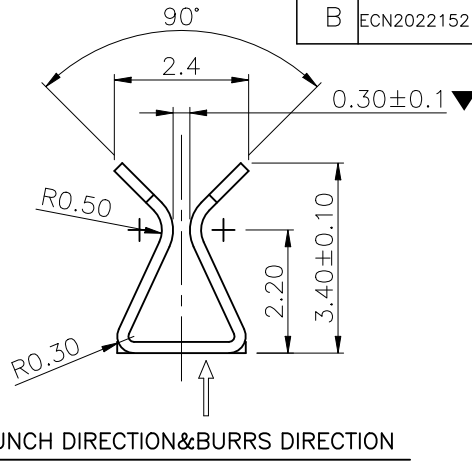
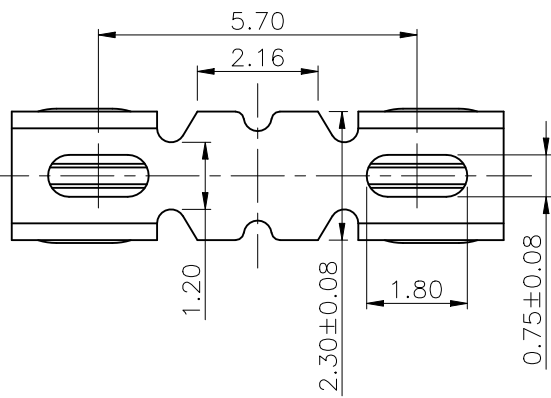


REV.	ECR/ECN No.	DESCRIPTION	DRAWN/DATE	CHECKED/DATE	APPROVED/DATE
A		NEW RELEASE	Staven 2019-03-04	Peng Li 2019-03-04	Judy 2019-03-04
B	ECN2022152	UPDATE FRAME	Abner 2022-09-28	Staven 2022-09-28	Sam 2022-09-28



0.10

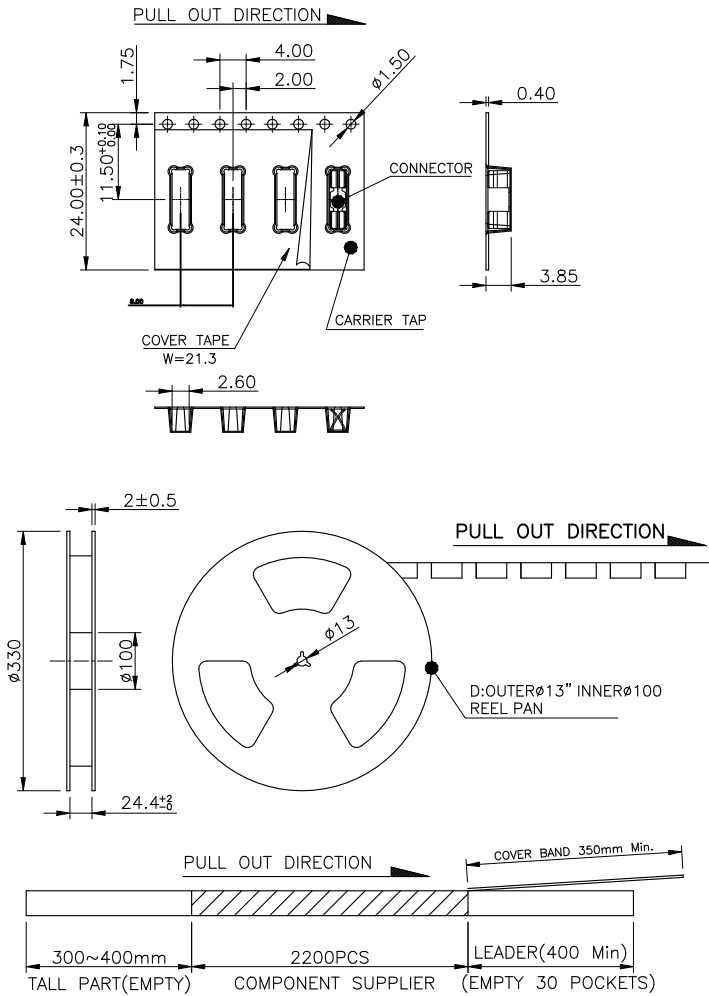


NOTES:

1. MATERIAL: STAINLESS;
2. FINISH: GOLD FLASH SURFACE PLATING OVER SOLDER AREA, Ni 40-120u" UNDER PLATING OVER ALL.
3. ALL MATERIAL MUST BE COMPLY WITH RoHS2.0;
4. WITH "▼" MUST BE CPK CONTROL.

UNLESS OTHERWISE SPECIFIED TOLERANCES			ANGLE OF PROJECTION		 Amphenol Aorora Technology (Huizhou) Co.,Ltd
X.	±0.30	X. °	± 5'		
X.X	±0.25	X.X °	± 4'		
X.XX	±0.20	X.XX °	± 3'	DOC TYPE: Assembly Draw	
X.XXX	±0.15	X.XXX °	± 2'		
LINEAR DIMS			ANGLES DIMS		TITLE: H3.4 CLIP
DWG NO.:	A-S0530		DRAWN DATE	Staven 2019-03-04	
MATERIAL	SEE NOTES	DESIGN DATE	Staven 2019-03-04	CHECKED DATE	Peng Li 2019-03-04
FINISHED	SEE NOTES	APPROVED DATE	Judy 2019-03-04	SCALE	1:1
			SIZE	A4	PART NUMBER: Z017-4G7C1-11000-E200
			UNIT	mm	SHEET 1 OF 1

**1. PACKING INTO REEL:**



**NOTES:**

1. MATERIAL:
  - 1.1 CARRY TAPE:PS,T=0.4mm,COLOR:TRANSPARENT.
  - 1.2 REEL:HIPS,BLUE.
  - 1.3 SHIM:PE,CLEAR.
2. PRIMARY PACKING:2200PCS/REEL.
3. SECONDARY PACKING:10REELS/CARTON(22000PCS/CARTON).
4. PEELING RESISTANCE: 0.1N~0.9N(10~90gf);  
PEELING ANGLE: 165°~180°;  
PEELING SPEED: 300mm/minutes.
5. NET WEIGHT: 0.093g
6. CATON GROSS WEIGHT: 7.4Kg, NET WEIGHT: 2.05Kg

2

**2. PACKING INTO CARTON:**

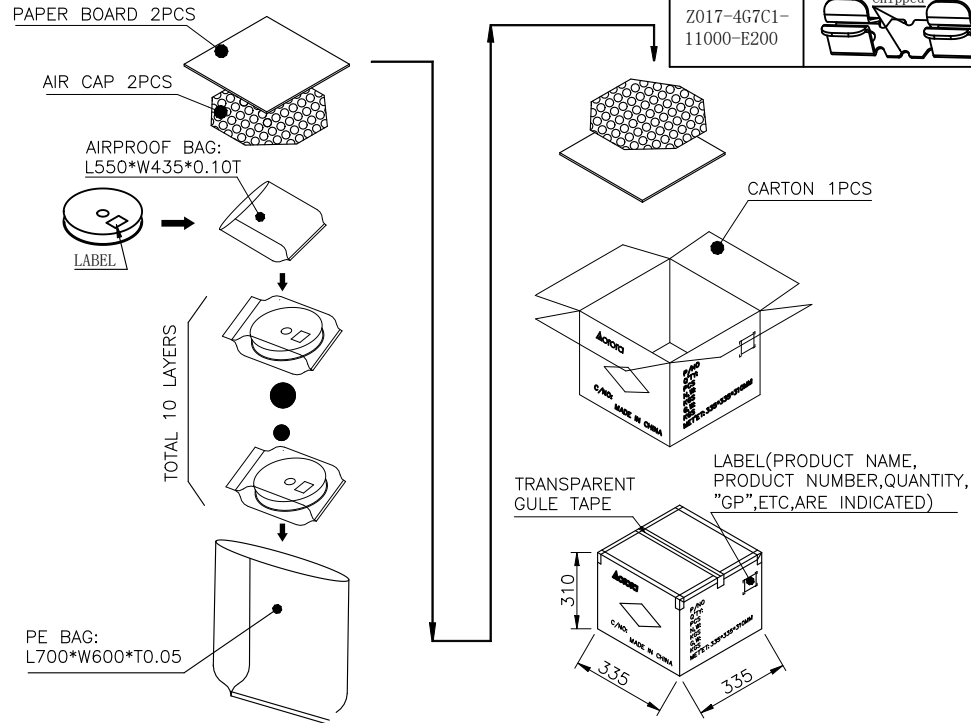


TABLE:

NO.	Sketch Map	Difference
Z002-4B7C1-11000		H3.4 Gap0.1mm
Z00U-4B7C1-11000		H3.4 Gap0.3mm
Z017-4G7C1-11000-E200		H3.4 Gap0.3mm Chipped

REV.	ECR/ECN No.	DESCRIPTION	DRAWN/DATE	CHECKED/DATE	APPROVED/DATE
C		New specifications	Staven 2019-03-04	Peng Li 2019-03-04	Judy 2019-03-04
D		UPDATE FRAME	Abner 2022-05-24	Staven 2022-05-24	Sam 2022-05-24

UNLESS OTHERWISE SPECIFIED TOLERANCES				ANGLE OF PROJECTION		Amphenol AORORA	
X.	±0.30	X. °	± 5'			Amphenol Aorora Technology (Huizhou) Co.,Ltd	
X.X	±0.25	X.X °	± 4'				
X.XX	±0.20	X.XX °	± 3'	DOC Typ Assembly Drw		TITLE: H3.4 CLIP	
X.XXX	±0.15	X.XXX °	± 2'	DRAWN DATE	Abner 2022-05-24	SIZE PART NUMBER:	REV. D
LINEAR DIMS		ANGLES DIMS		DESIGN DATE	Abner 2022-05-24	A4 SEE TABLE	SCALE 1:1
DWG NO.: A-H0167				CHECKED DATE	Staven 2022-05-24		
MATERIAL SEE NOTES				APPROVED DATE	Sam 2022-05-24		
FINISHED SEE NOTES							

1

2

3

4