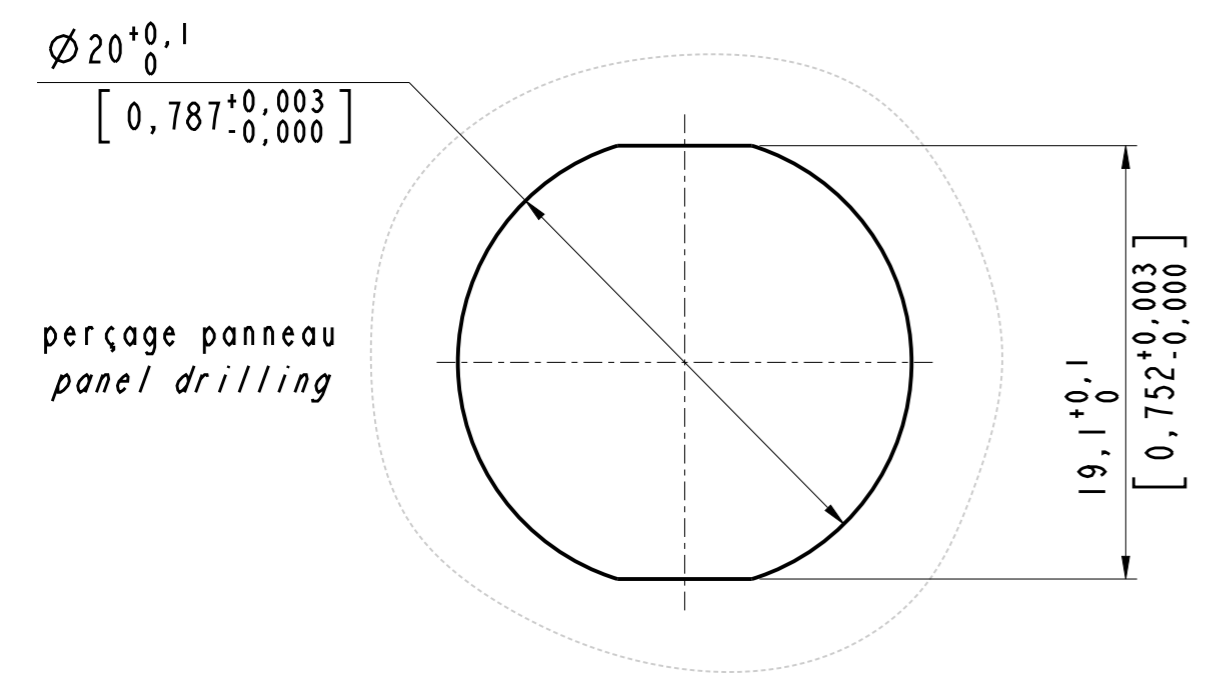
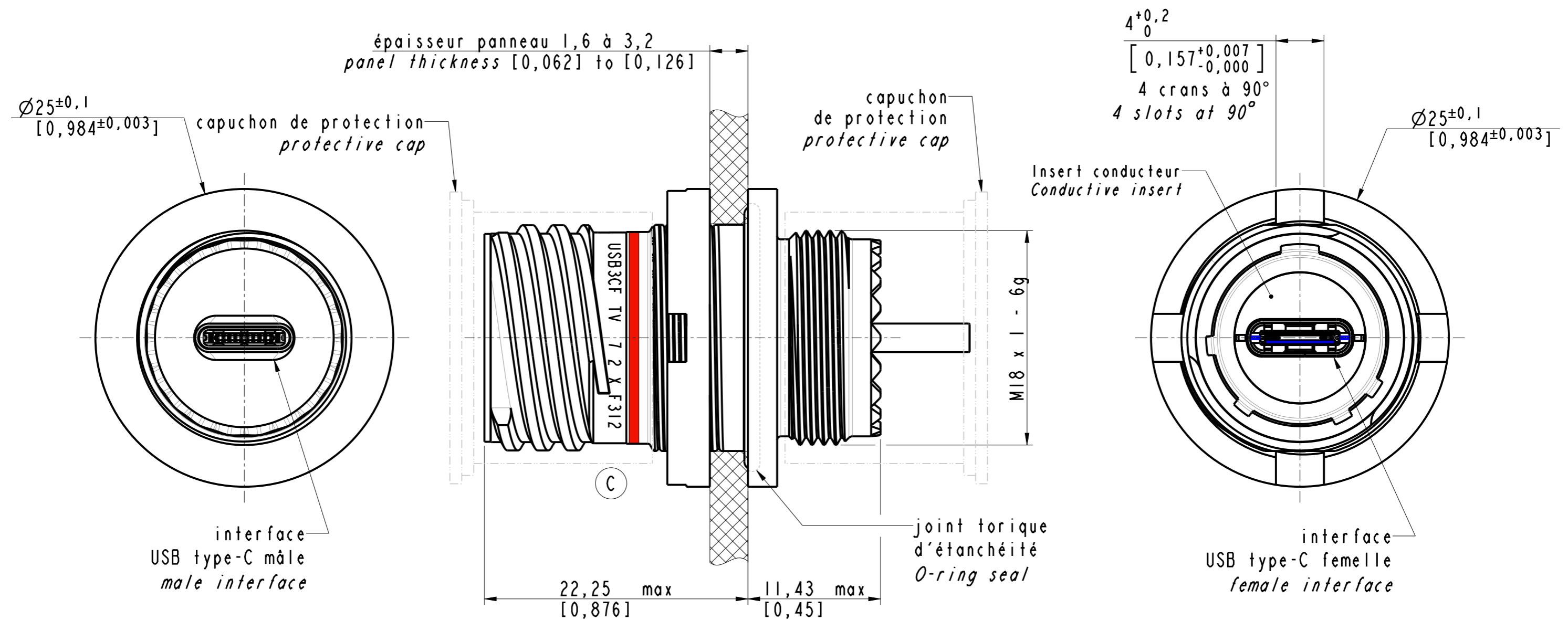


IN THE CONSTANT PURPOSE OF IMPROVING ITS PRODUCTS, Amphenol Socapex RESERVES THE RIGHT TO MODIFY ANY DIMENSION OR CHARACTERISTICS.
FM.NPD.0076.THYZE.PUNE rev B



référence
part number: **USB3CF TV 7 2 x F312**

- série USB3C Field TV
serie
- embase à écrou avec collerette réduite
jam nut receptacle with reduced flange
- G alu-protection cadmium vert olive (non RoHS)
alu-olive drab cadmium plating (not RoHS)
- N alu-protection nickel alu-nickel plating (RoHS)
- ZN alu-protection zinc nickel noir (RoHS)
alu-black zinc nickel plating (RoHS)
- BZ bronze bronze (RoHS)
- S acier inox stainless steel (RoHS)
- embase à écrou
jam nut receptacle
- sortie USB type-C mâle
male USB type-C termination

Embase USB type-C femelle dans carrosserie à collerette réduite
type MIL-DTL-38999 serie 3 taille II avec sortie arrière USB type-C mâle.
Female USB type-C receptacle in reduced flange shell conform
to MIL-DTL-38999 serie 3 size II with male USB type-C back termination.

C Dimensions are in mm / [inch]

APPROVAL FOR MANUFACTURING Add missing specifications on the drawing if necessary (specific labellings, tolerances,...)		DRAWN BY: G. TUPIN	UPDATED BY: S. FALCOZ	LAST APPROVED BY: M. RINSANT	
CUSTOMER :	PROGRAM :	ALL DIMENSIONS ARE IN MM	AMPHENOL SOCAPEX		ORIGINAL DRAWING DATE : 11/06/21
Name : _____ Date : _____					CONFIGURATION DATA ARE AVAILABLE IN PDM
CUSTOMER SIGNATURE		SCALE : 3,0	B.P. 29 74311 THYZE CEDEX		REV : C PAGE : 1/2
					191-PLC-1062-00

IN THE CONSTANT PURPOSE OF IMPROVING ITS PRODUCTS, Amphenol Socapex RESERVES THE RIGHT TO MODIFY ANY DIMENSION OR CHARACTERISTICS.
FM.NPD.0036.THYZE.PUNE rev C

Brochage Wiring			
Embase USB type-C USB type-C receptacle		Fiche USB type-C USB type-C plug	
Signal	N° Pin	N° Pin	Signal
GND	A1 B12	A1 B12	GND
SSRXp1	A2	A2	SSTXp1
SSRXn1	A3	A3	SSTXn1
VBUS	A4	A4	VBUS
CC1	A5	A5	CC1
Dp1	A6	A6	Dp1
Dn1	A7	A7	Dn1
SBU1	A8	A8	SBU1
VBUS	A9	A9	VBUS
SSTXn2	A10	A10	SSRXn2
SSTXp2	A11	A11	SSRXp2
GND	B1 A12	B1 A12	GND
GND	B1 A12	B1 A12	GND
SSRXp2	B2	B2	SSTXp2
SSRXn2	B3	B3	SSTXn2
VBUS	B4	B4	VBUS
CC2	B5	B5	CC2
Dp2	B6	B6	Dp2
Dn2	B7	B7	Dn2
SBU2	B8	B8	SBU2
VBUS	B9	B9	VBUS
SSTXn1	B10	B10	SSRXn1
SSTXp1	B11	B11	SSRXp1
GND	A1 B12	A1 B12	GND

DRAWN BY : G. TUPIN		UPDATED BY : S. FALCOZ		LAST APPROVED BY : M. RINSANT	
ALL DIMENSIONS ARE IN MM	AMPHENOL SOCAPEX			ORIGINAL DRAWING DATE : 11/06/21	CONFIGURATION DATA ARE AVAILABLE IN PDM
				REV : C	PAGE : 2/2
SCALE : 3,0	B.P. 29 74311 THYZE CEDEX			191-PLC-1062-00	