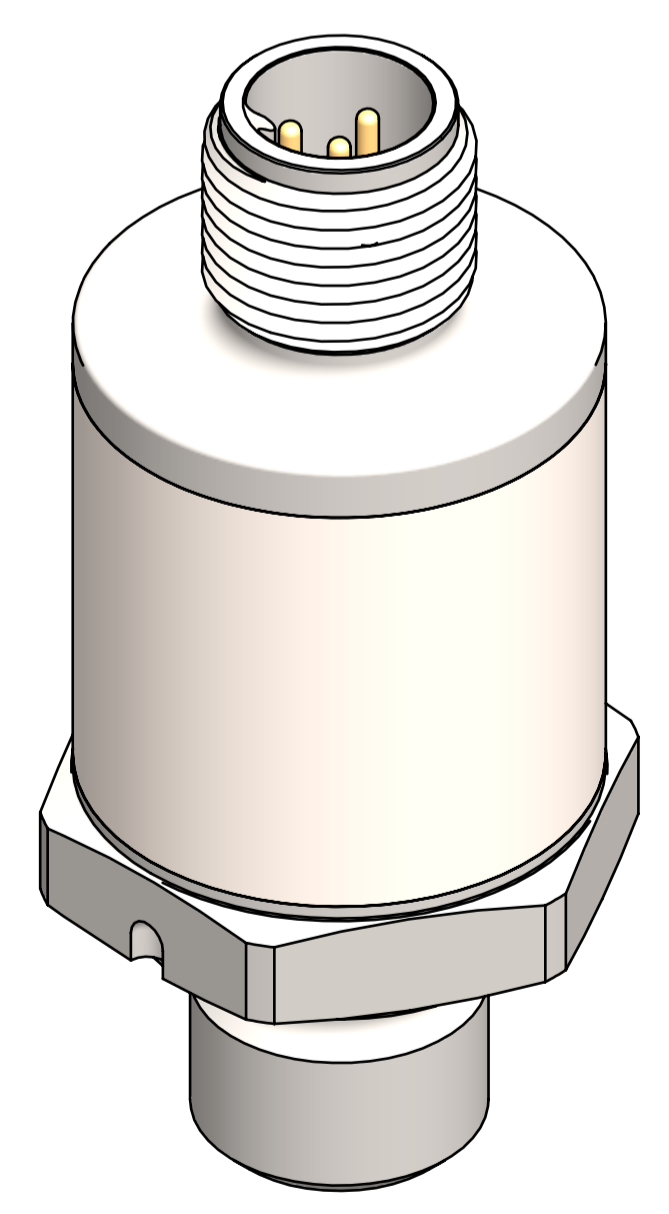


PART NO. DESIGNATION

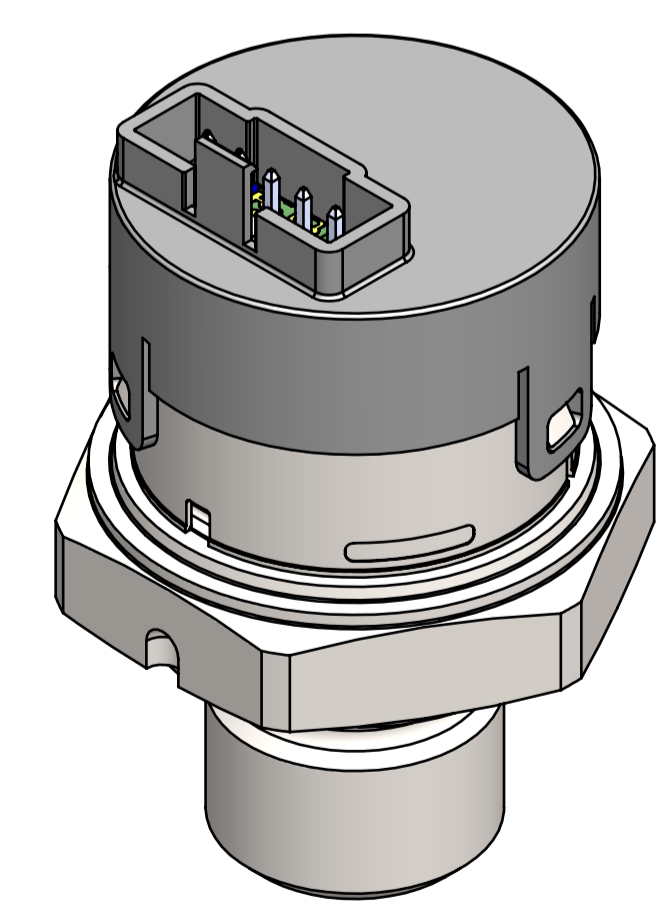
PTE7300 - 4 4 A M - 1 B 400 B N .810 A

- SEA TYPE
 - 0~29bar...1
 - 30~100bar...2
 - 101~250bar...3
 - 251~400bar...4
 - 401~600bar...5
- EMA TYPE.....4
- PRESSURE PORT
 - G1/4A DIN 3852-EA
 - 1/4-19 PT (1/4-19 BSPT),(R1/4).....B
 - 7/16-20 UNF SAE J1926-2.....C
 - 1/4-18 NPTD
- ELECTRICAL CONNECTOR
(DETAILS SEE PAGE 2)
- M12 5-PIN GLASS-TO-METAL-SEAL.....M
5x1 2mmPITCH PIN HEADER(MOUDULE).....N
- EXTERNAL SEAL RING
 - NONE.....0
 - FKM (VITON) SEAL RING.....1
ONLY FOR PRESSURE PORT OPTION A
 - HNBR SEAL RING.....2
ONLY FOR PRESSURE PORT OPTION C
- OUTPUT/INPUT
I2C (CRC PROTECTED) / 3.3...5.5 VDC.....B
- MOQ
 - A.....MOQ500pcs
 - B.....MOQ50pcs
- SNUBBER
 - N.....NONE SNUBBER
 - S.....SNUBBER WITH Ø0.5mm DAMPING HOLE
- PRESSURE TYPE
 - S.....SEALED GAUGE, WITH GTMS PACKAGE
 - B.....GAUGE, WITH MODULE PACAKGE
- PRESSURE RANGE
 - 010.....0...10bar
 - 016.....0...16bar
 - 025.....0...25bar
 - 040.....0...40bar
 - 050.....0...50bar
 - 060.....0...60bar
 - 100.....0...100bar
 - 160.....0...160bar
 - 200.....0...200bar
 - 250.....0...250bar
 - 350.....0...350bar
 - 400.....0...400bar
 - 500.....0...500bar**
 - 600.....0...600bar**

(**FOR GTMS PACKAGE ONLY)



**GLASS-TO-METAL-SEAL PACKAGE
MODEL SHOWN**



**OEM MODULE
MODEL SHOWN**

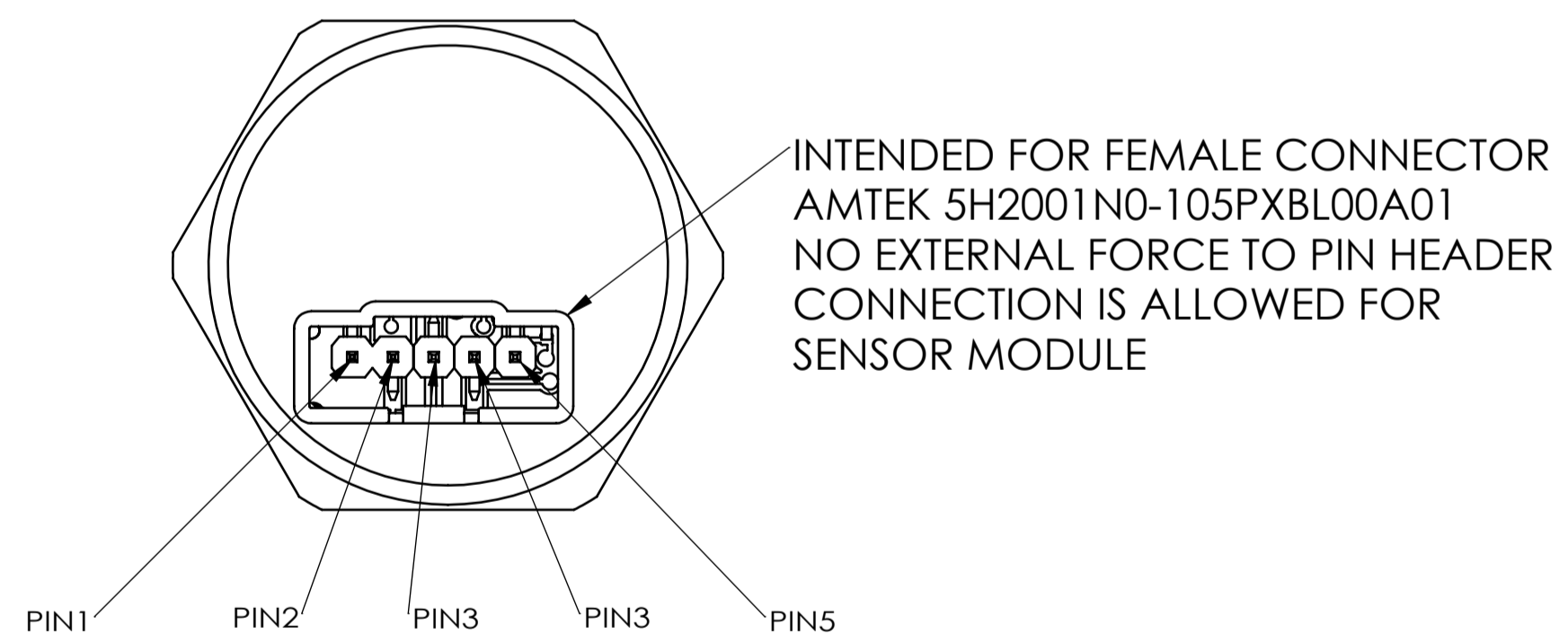
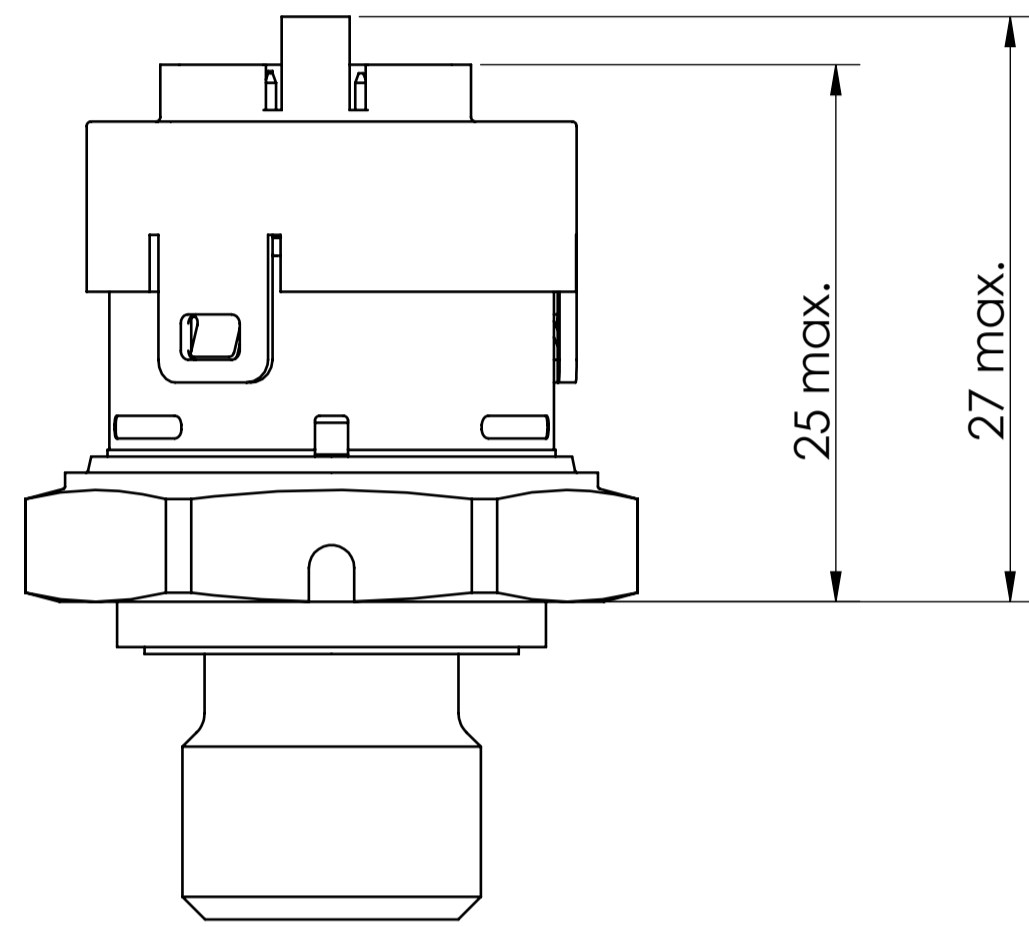
Pressure range																
from 0 to ...	bar	10	16	25	40	50	60	100	160	200	250	350	400	500	600	...
Proof pressure	bar	60	60	60	200	200	200	200	500	500	500	800	800	1200	1200	...
Burst pressure	bar	200	200	200	2000	2000	2000	2000	2500	2500	2500	4000	4000	4000	4000	...
*Pressure range limitation		For sealed gauge (GTMS sensor fully hermetic) only														
Electrical																
Operating supply voltage	3.3VDC to 5.5VDC															
Operating current in sleep mode	6.5uA (Typical)															
Operating current in active mode	3.7mA (Typical, 4mA max.)															
Device address	0xDA for I2C with CRC, 0x6C for I2C without CRC															
Probe configurations	Continuous															
Digital output resolution	15-bit @ Default setting															
Digital output at zero pressure	-16000															
Digital output at FS pressure	+16000															
Response time	< 1ms @ Default setting and active mode															
Temperature																
Operating	-40°C to +100°C															
Medium	-40°C to +125°C															
Storage	-40°C to +125°C															
Accuracy																
Basic Accuracy*	± 0.5% FS @ 25°C															
BFSL Accuracy*	± 0.25% FS @ 25°C															
Non-linearity*	± 0.2% FS															
Non-repeatability	± 0.1% FS															
Total error band	± 1.5% FS @ -20°C to 85°C															
*Basic Accuracy	Including non-linearity, hysteresis, zero and span error (corresponds to measured error per IEC 61298-2).															
*BFSL Accuracy	Including non-linearity, hysteresis and non-repeatability, excluding zero and span error (corresponds to the smart options per IEC 60770-1, the instrument is equipped with facilities for offset and span adjustment).															
*Non-linearity spec	BFSL (best-fit-straight-line) according to IEC 61298-2															
Conformity																
RoHS & REACH	YES															
UKCA	UK Pressure Equipment Safety Regulation (PESR) 2016															
CE	According to EMC Directive 2014/30/EU, EN 61326 Emission and Immunity (industrial locations), tested with GTMS package only (If applicable, the customer shall verify if the pressure module is compliant to the CE EMC directive: 2014/30/EU)															
Vibration resistance	30g (sine) min. for GTMS package and 20g (sine) min. for module according to IEC60068-2-6															
Shock resistance	500g min. according to IEC 60068-2-27, tested with GTMS package only															
Durability	> 10 X 10 ⁶ cycles 0~100%FS @25°C															
Ingress protection per IEC 60 529	IP69K for GTMS package only with qualified counter connector															
Media compatibility																
All class II fluid and gases compatible with port material stainless steel 17-4PH (1.4542)																

ALL RIGHT RESERVED		NEITHER THIS PRINT NOR THE INFORMATION CONTAINED HEREON IS TO BE USED AGAINST THE INTERESTS OF SENSATA TECHNOLOGIES OR AGAINST THE INTERESTS OF ANY OF ITS AFFILIATED COMPANIES OR WHOLLY OWNED SUBSIDIARIES.				18 CHUANGXIN ROAD XINBEI DISTRICT CHANGZHOU CHINA	
DRAWN	A. LIU	INTERPRET DIMENSIONING AND TOLERANCING PER ASME Y14.5-2009. UNLESS OTHERWISE SPECIFIED DIMENSIONS ARE IN MILLIMETERS.		TITLE		PRESSURE TRANSDUCER	
DATE	18-JUN-2020	TOLERANCES		SIZE		NUMBER	
ENGINEER	W. XU	LINEAR		A1		PTE7300-TAB-ENV	
DATE	18-JUN-2020	ANGULAR		REV		F	
APPROVED	CX. HU	METHOD		SCALE		2:1	
DATE	18-JUN-2020	THIRD ANGLE PROJECTION		SHEET		1 OF 3	

BUILT IN ELECTRICAL CONNECTOR OPTIONS

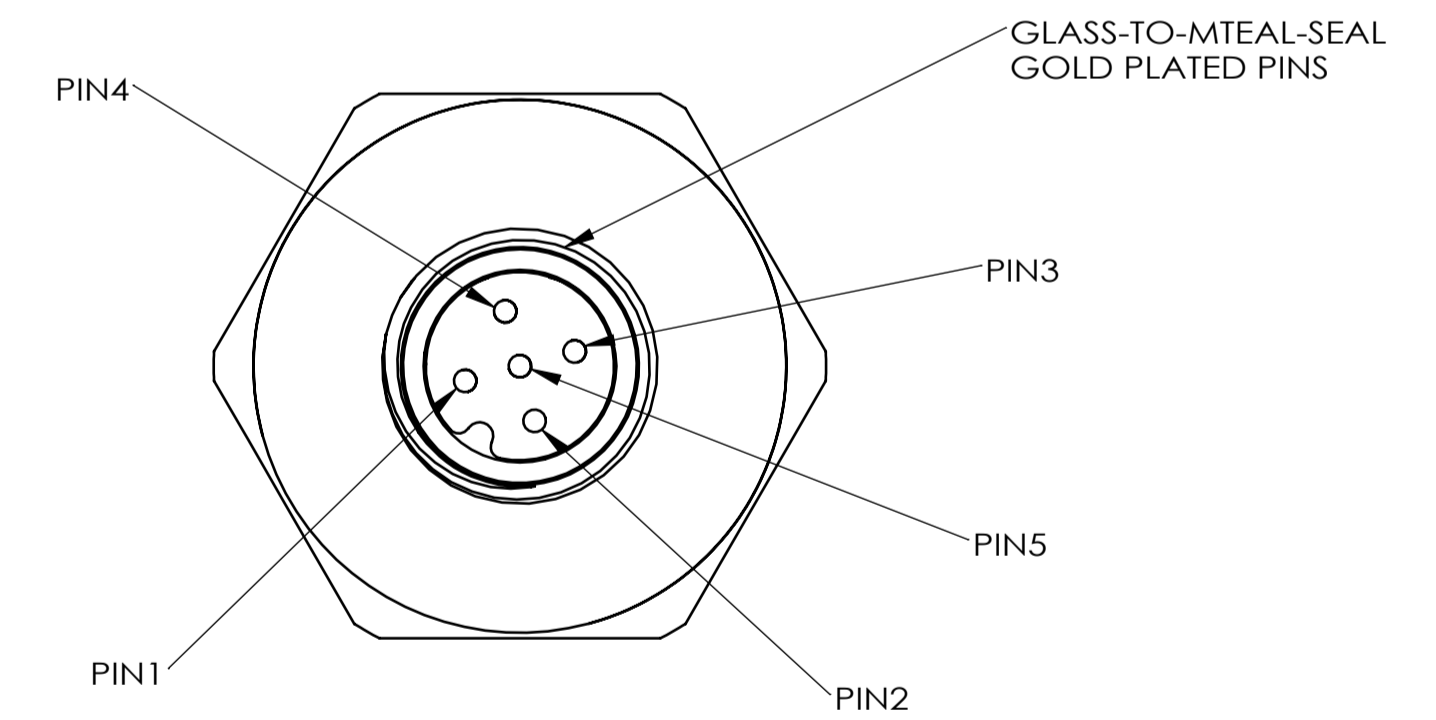
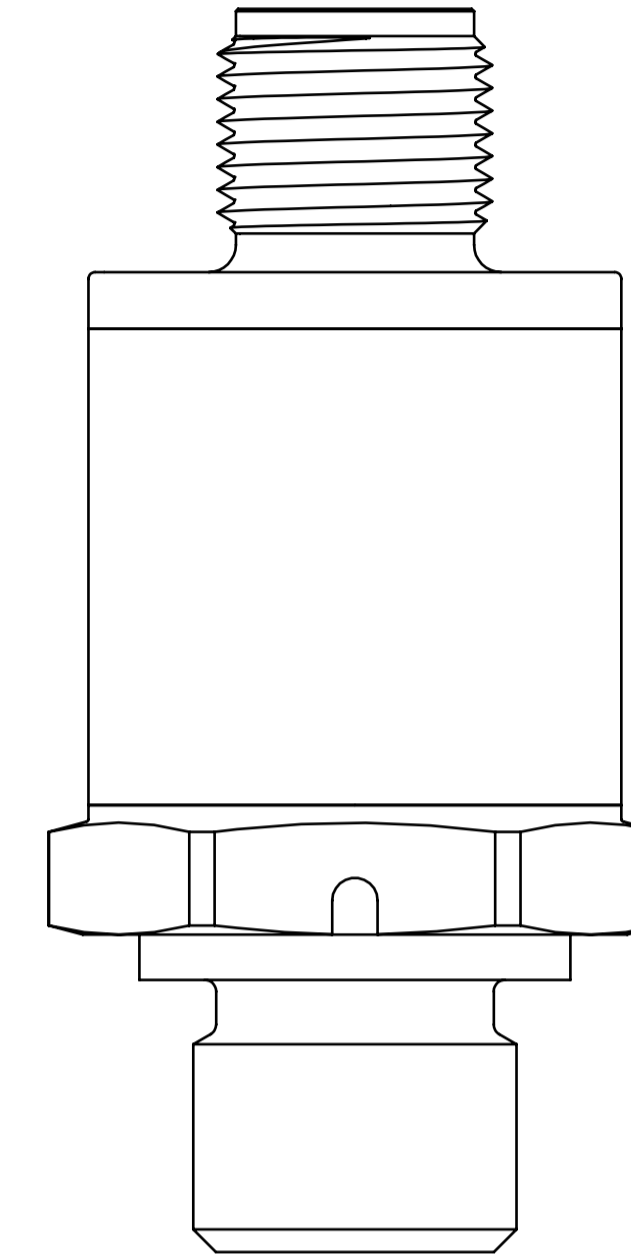
(PRESSURE PORT G1/4A DIN 3852-E SHOWN)

OEM MODULE MODEL SHOWN



PIN NUMBER	PIN1	PIN2	PIN3	PIN4	PIN5
DESCRIPTION	NC	V+	V-	SDA	SDC

GLASS-TO-METAL-SEAL PACKAGE MODEL SHOWN

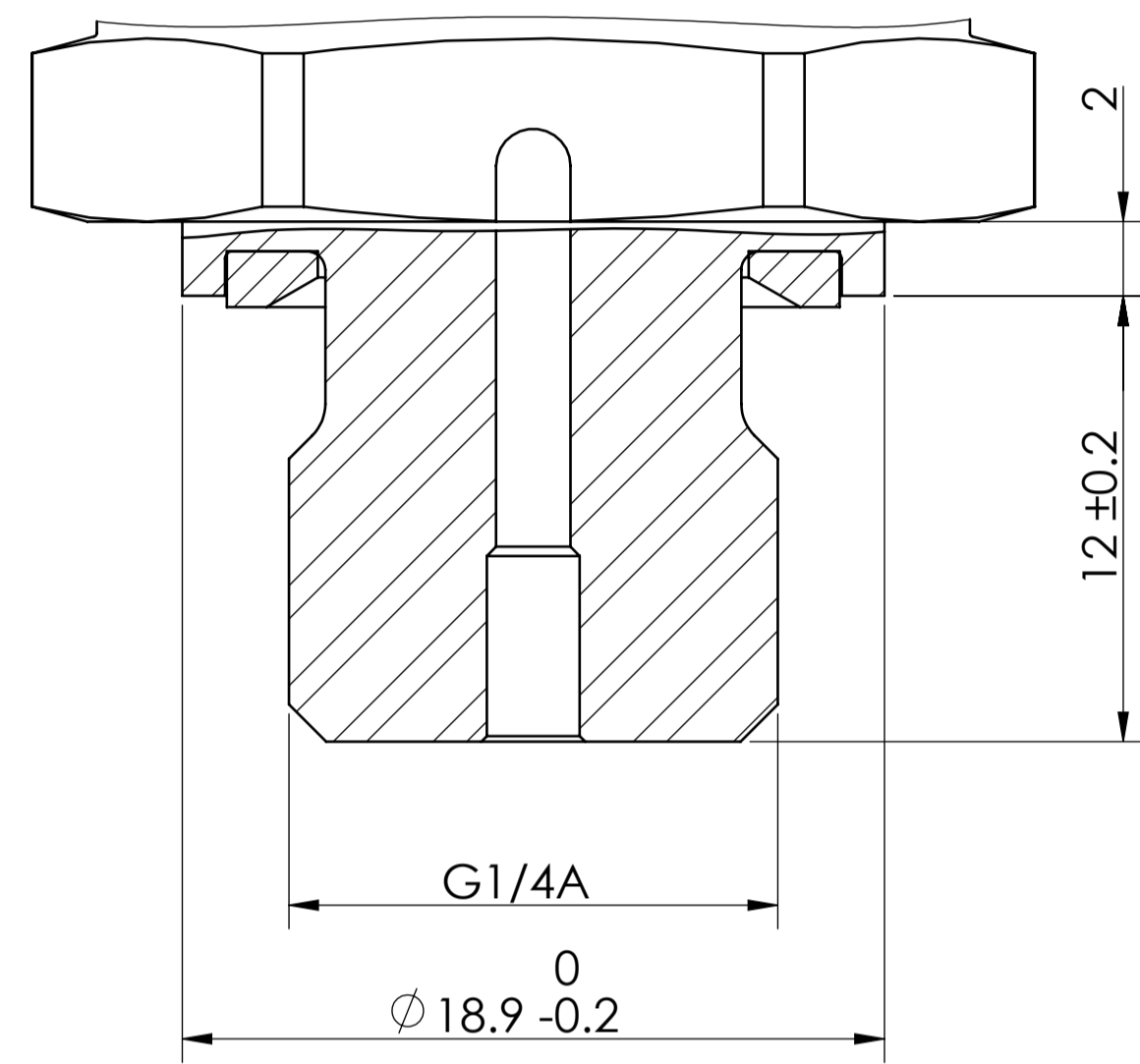


PIN NUMBER	PIN1	PIN2	PIN3	PIN4	PIN5
DESCRIPTION	NC	V+	V-	SDA	SDC

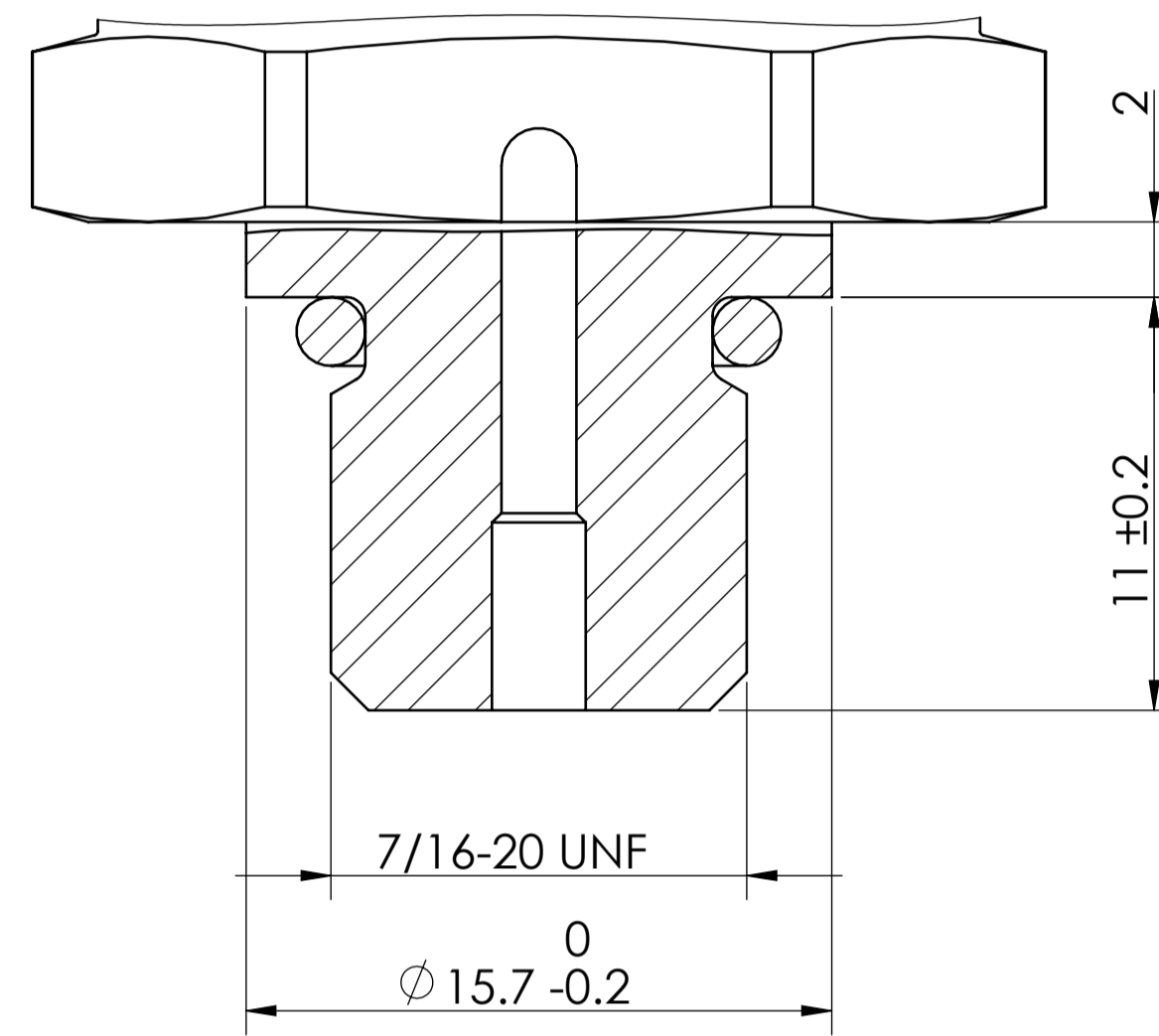
NOTE:
 V+: Supply Voltage V-: Ground
 SDA: I2C Digital Data Pin SDC: I2C Digital Clock Pin
 NC: Not Connected

PRESSURE CONNECTION PORT OPTIONS

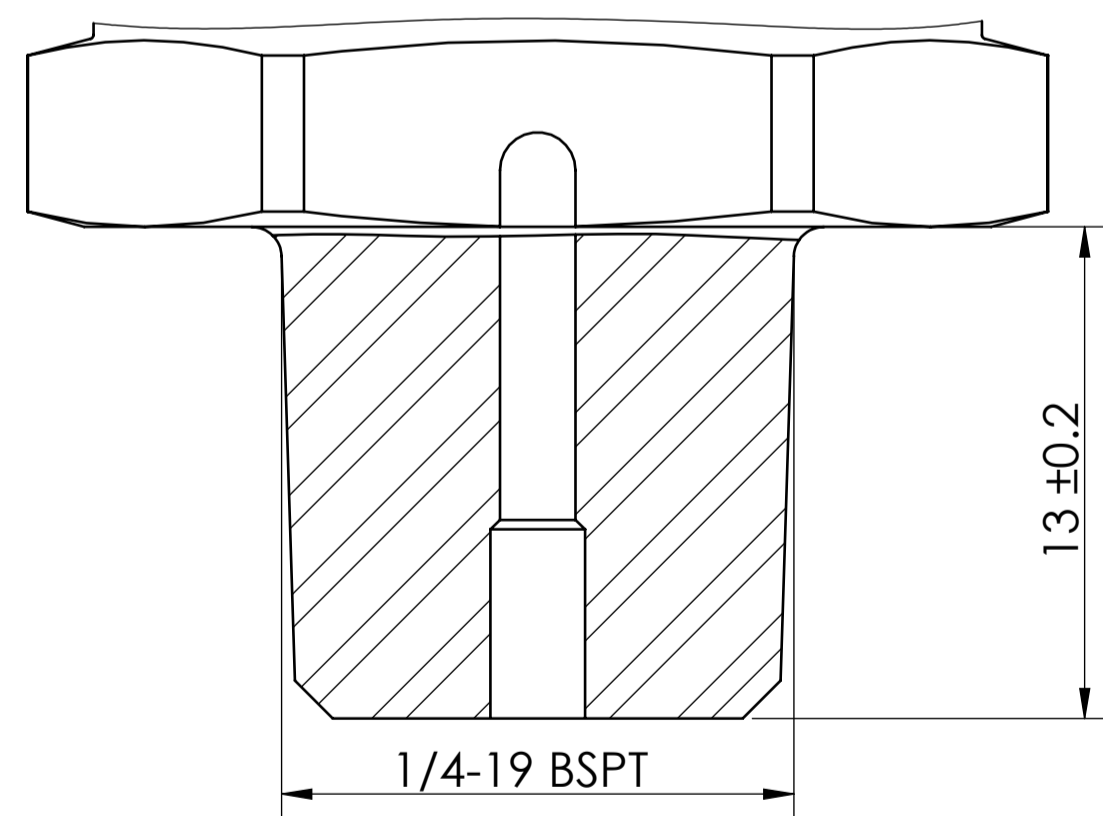
G1/4A (MALE) DIN 3852-E



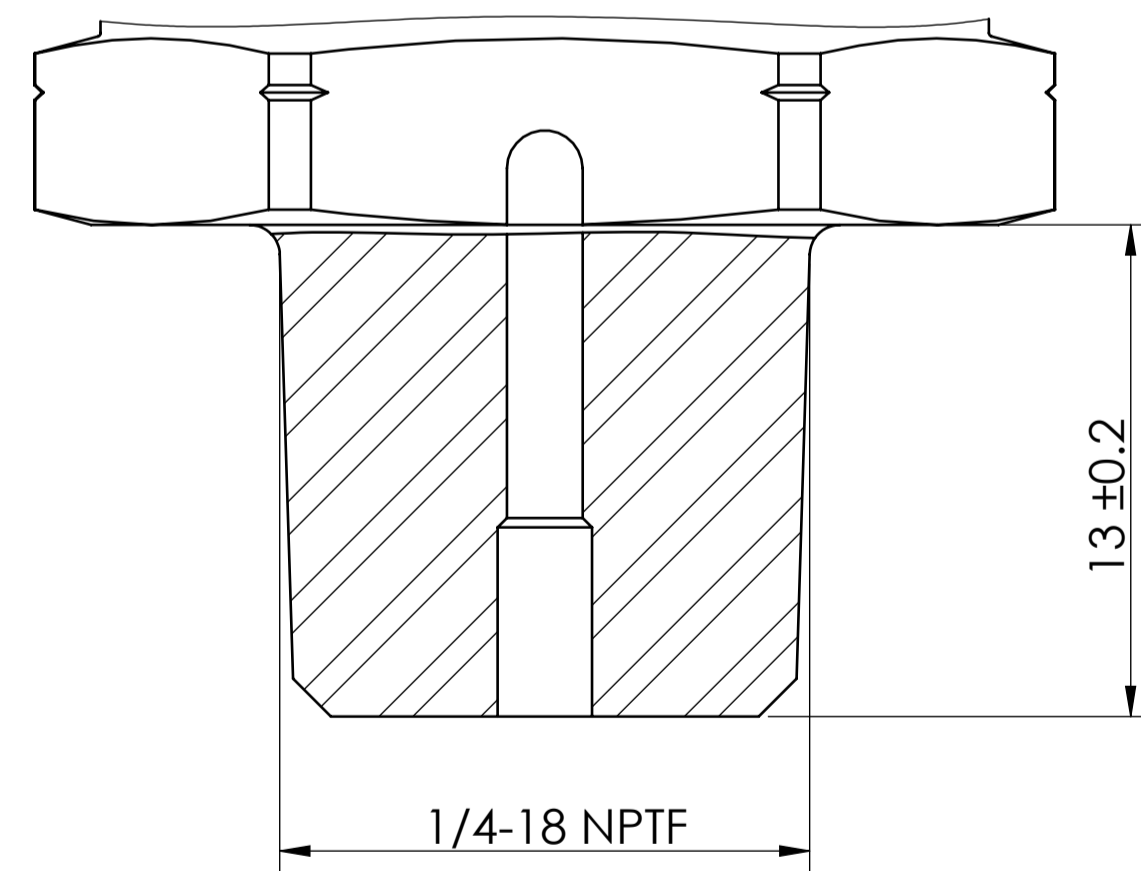
7/16-20 UNF J1926-3



1/4-19 PT(BSPT) (R1/4)

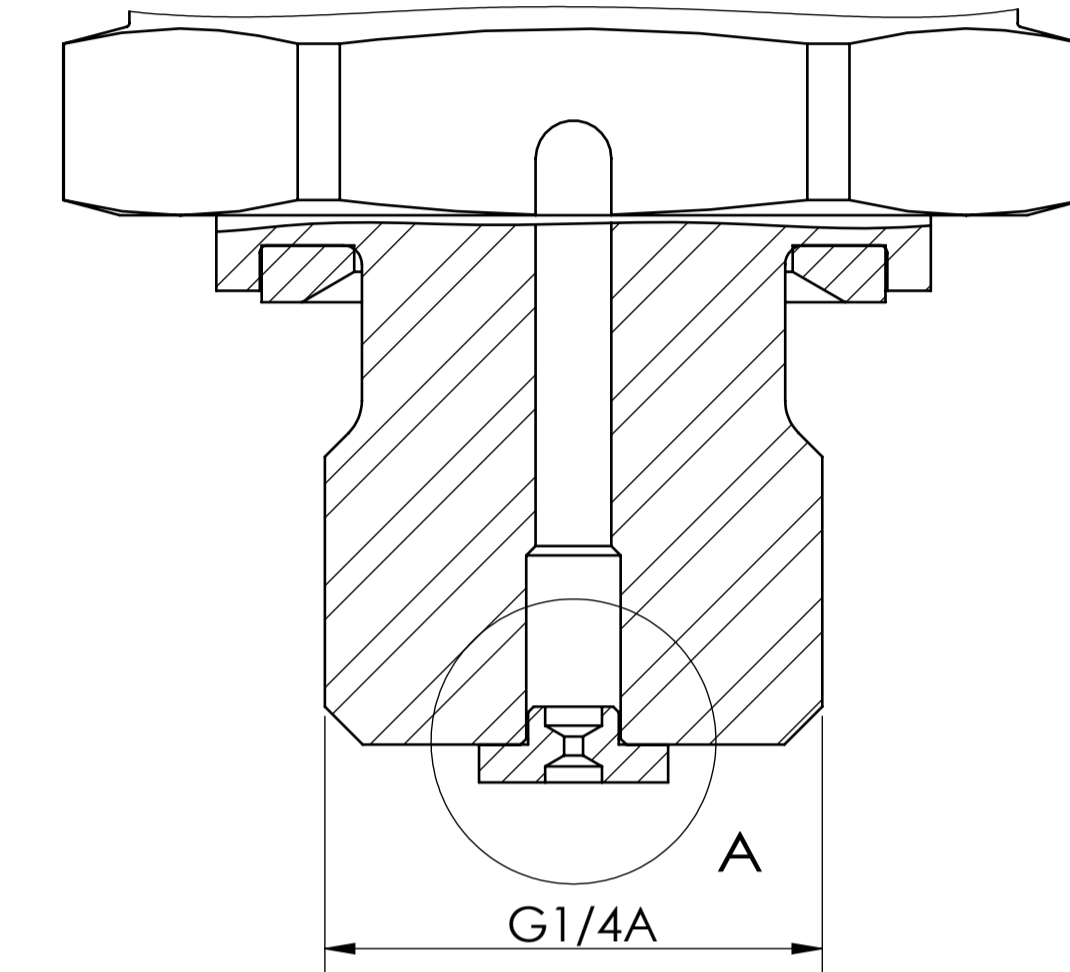


1/4-18 NPT

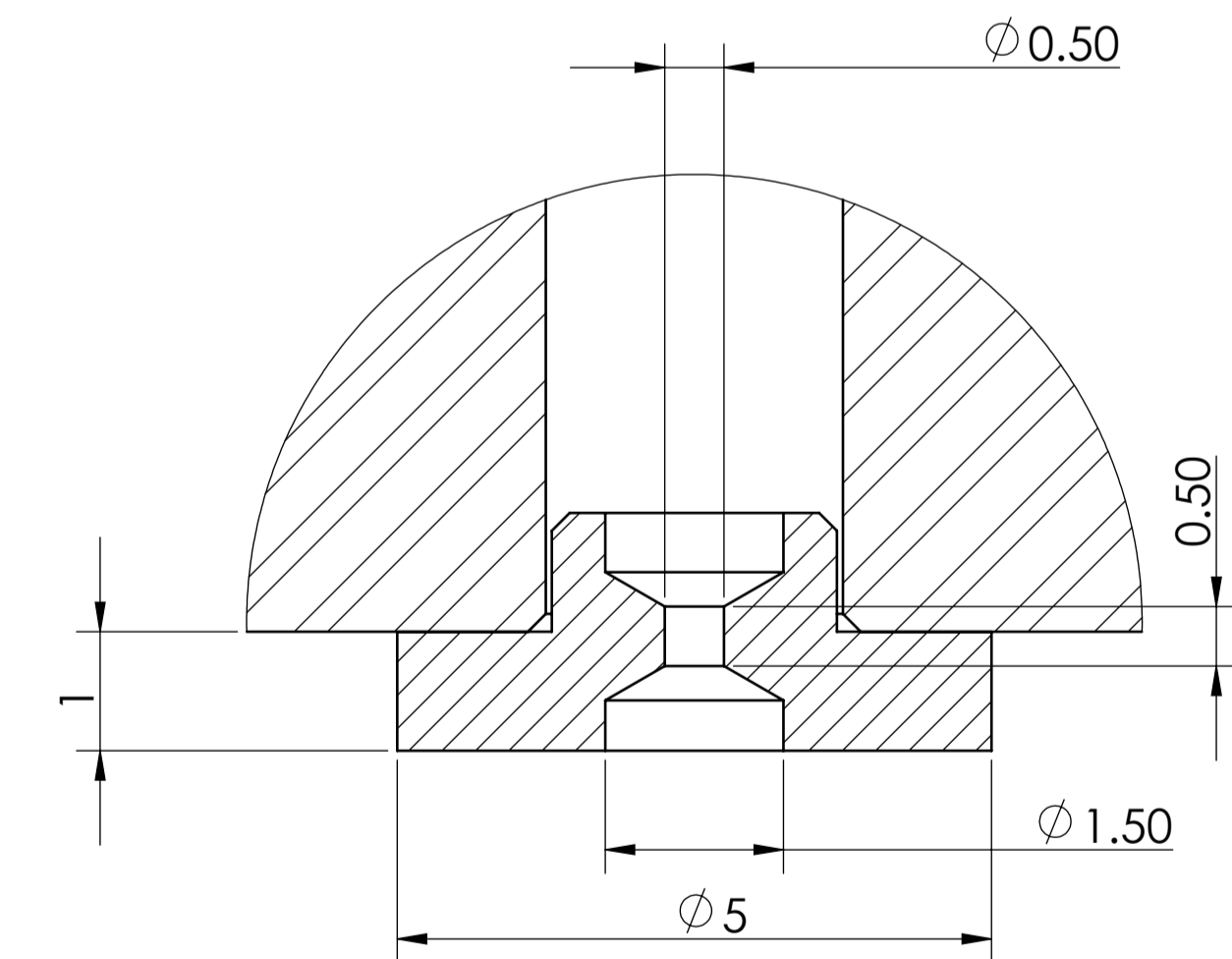


SNUBBER OPTIONS (PRESSURE PORT G1/4A DIN 3852-E SHOWN)

G1/4A (MALE) DIN 3852-E



DETAIL A
SCALE 16 : 1



NOTES :
1. CUSTOMERS SHOULD VERIFY IF THE SNUBBER CAN FIT IN THEIR APPLICATION/ COUNTERPART