

NOTES:

RATED VOLTAGE: MAX. 63V AC/DC
 RATED CURRENT: MAX. 16A at 40°C (derating has to be considered)
 IP RATING: IP67 (mated and locked condition)
 TEMPERATURE RANGE: -25°C TO +85°C

CABLE PRINTING (sequence as shown below):
 - MOLEX engineering no. (see page 2)
 - MOLEX material no. (see page 2)
 - MOLEX MAX. 63V AC/DC MAX. 16 A USR
 - MOLEX AND DATE OF MANUFACTURING (YY=YEAR; WW=WEEK): MXYWW
 - Not for current interrupting
 - PROFINET 24V Power 4x2,5

PART ACCORDING PRODUCT SPEC: 1205010169
 PACKAGING ACCORDING PACKAGING SPEC: 1201202000

TABLE 1

POS	DESCRIPTION	MATERIAL	FINISH
1	NUT M12 FE	BRASS	Ni
2	CONTACT 15 FE	BRASS	Au
3	INSERT	PA	BLACK
4	OVERMOLD	TPE	BLACK
5	CABLE 4x2.5 D10.1 WSOR	PUR	BLACK
6	GASKET OR 8.2X1.25	FKM	BLACK
OPTIONAL 7	ID CARRIER	-	-

FUNCTIONAL SYMBOLS $\nabla_A = 0$ $\nabla_E = 0$ $\nabla_F = 0$ DIVISIONAL SYMBOLS	THIS DRAWING CONTAINS INFORMATION THAT IS PROPRIETARY TO MOLEX ELECTRONIC TECHNOLOGIES, LLC AND SHOULD NOT BE USED WITHOUT WRITTEN PERMISSION CURRENT REV DESC: UPDATED ATTRIBUTE TO GENERAL MARKET IN ECTR	molex							
	EC NO: 735577 DRWN: NIKHIS3 CHK'D: RSILLER APPR: RSILLER	2023/01/11 2023/01/19 2023/01/19	CSE M12 4P LC FE STR WSOR BK XM UNSH						
	INITIAL REVISION: DRWN: FDAFERNER APPR: RSILLER	2020/05/12 2021/10/05	PRODUCT CUSTOMER DRAWING						
	DRAFT WHERE APPLICABLE MUST REMAIN WITHIN DIMENSIONS THIRD ANGLE PROJECTION 	DRAWING A3-SIZE	SERIES 120500	MATERIAL NUMBER SEE TABLE 2	CUSTOMER GENERAL MARKET	DOCUMENT NUMBER 1205000228	DOC TYPE PSD	DOC PART 000	REVISION A1

ENGINEERING NO - NUMERICAL CODE (Available parts see PART LIST table. Other parts available upon request).

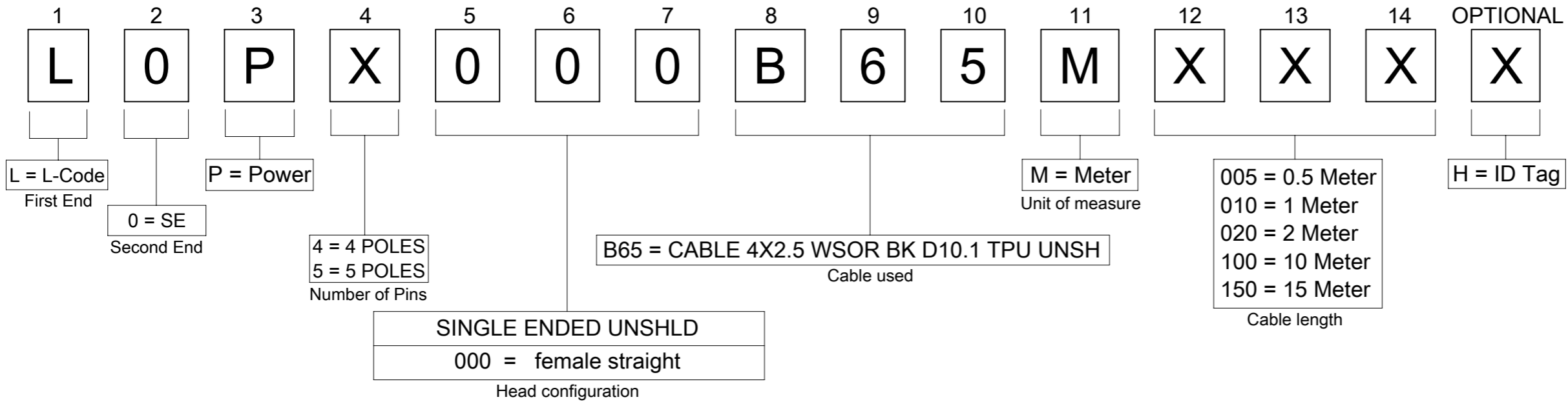


TABLE 2

NOMINAL SECTION 2,5mm ²			
MATERIAL NO.	ENGINEERING NO.	L [mm]	TOLERANCE [mm]
1205000228	L0P4000B65M010	1000	+40
1205000229	L0P4000B65M020	2000	+60
1205000230	L0P4000B65M030	3000	+60
1205000231	L0P4000B65M050	5000	+60
1205000232	L0P4000B65M100	10000	+80
1205000233	L0P4000B65M150	15000	+140
1205000234	L0P4000B65M200	20000	+140

FUNCTIONAL SYMBOLS	THIS DRAWING CONTAINS INFORMATION THAT IS PROPRIETARY TO MOLEX ELECTRONIC TECHNOLOGIES, LLC AND SHOULD NOT BE USED WITHOUT WRITTEN PERMISSION		
	$\nabla_A = 0$ $\nabla_B = 0$ $\nabla_C = 0$	DIMENSION UNITS mm	SCALE 1:1
DIVISIONAL SYMBOLS	GENERAL TOLERANCES (UNLESS SPECIFIED)		EC NO: 735577 DRWN: NIKHIS3 CHK'D: RSILLER APPR: RSILLER INITIAL REVISION: DRWN: FDAFERNER APPR: RSILLER THIRD ANGLE PROJECTION
	ANGULAR TOL ± 1.0°		
	4 PLACES ±	2023/01/11	
	3 PLACES ±	2023/01/19	
	2 PLACES ± 0.05	2023/01/19	
1 PLACE ± 0.3			
0 PLACES ± 0.5			
DRAFT WHERE APPLICABLE MUST REMAIN WITHIN DIMENSIONS		DRAWING	SHEET NUMBER
		A3-SIZE	120500
		MATERIAL NUMBER	CUSTOMER
		SEE TABLE 2	GENERAL MARKET
		DOCUMENT NUMBER	DOC TYPE DOC PART REVISION
		1205000228	PSD 000 A1