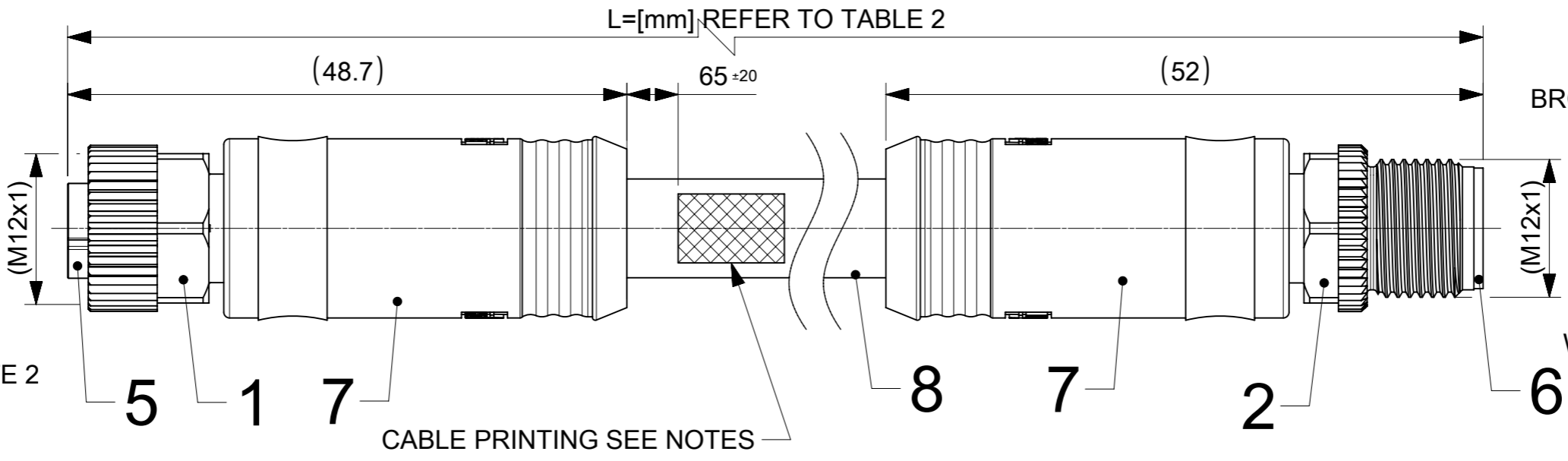
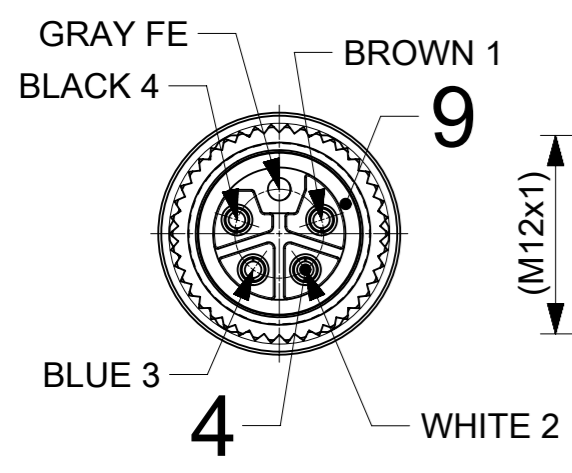
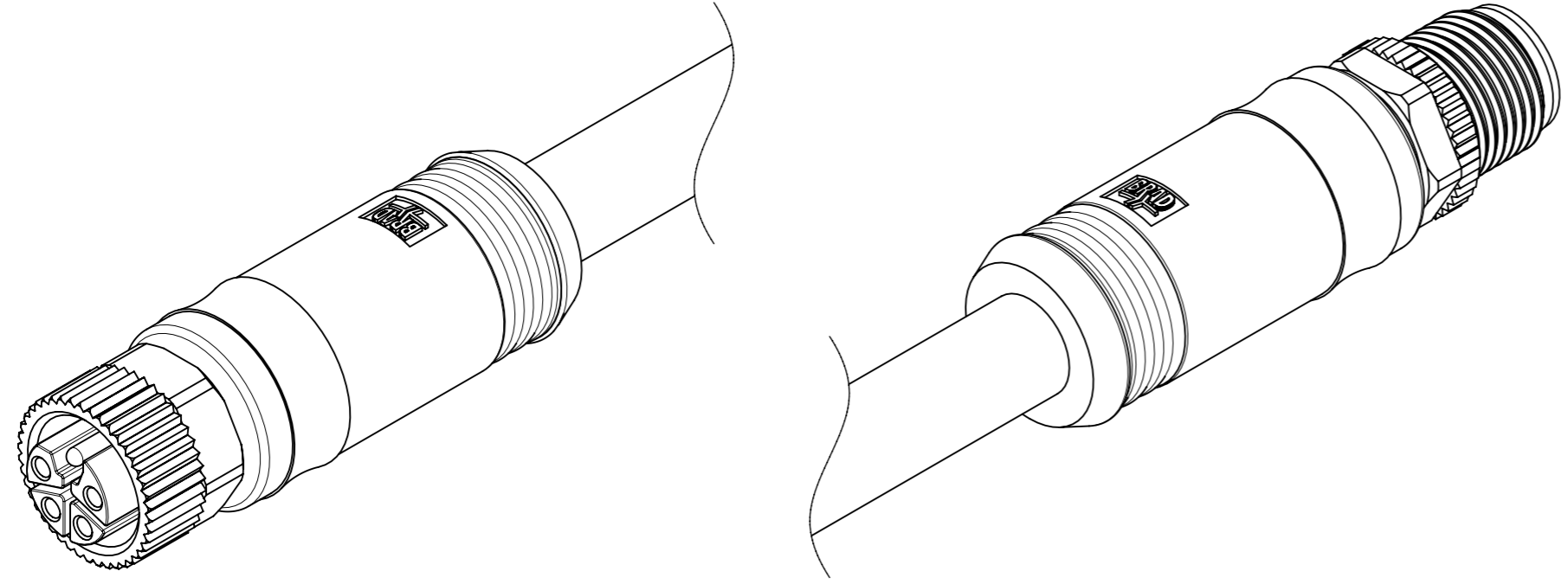
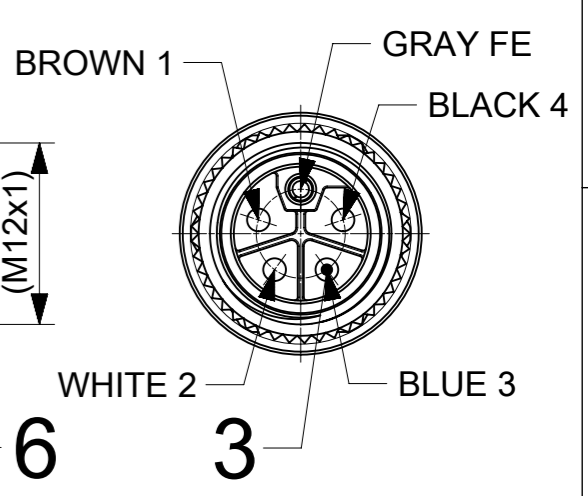


**MATING SIDE**



**MATING SIDE**



**NOTES:**

RATED VOLTAGE: MAX. 63V AC/DC  
 RATED CURRENT: MAX. 12A at 40°C (derating has to be considered)  
 IP RATING: IP67 (mated and locked condition)  
 TEMPERATURE RANGE: -25°C TO +85°C

CABLE PRINTING (sequence as shown below):  
 - MOLEX part number  
 - "Made in " COUNTRY OF ORIGIN  
 - MOLEX AND DATE OF MANUFACTURING (YY=YEAR; WW=WEEK): MXYWW  
 - Not for current interrupting

PART ACCORDING PRODUCT SPEC: 1205010169  
 PACKAGING ACCORDING PACKAGING SPEC: 1201202000

**TABLE 1**

POS	DESCRIPTION	MATERIAL	FINISH
1	NUT M12 FE	BRASS	Ni
2	NUT M12 MA	BRASS	Ni
3	CONTACT 15 MA	BRASS	Au
4	CONTACT 15 FE	BRASS	Au
5	INSERT FEMALE	PA	GREY
6	INSERT MALE	PA	GREY
7	OVERMOLD	TPE	BLACK
8	CABLE 5x1.5 D8.6 WSOR	PUR	GREY
9	GASKET OR 8.2X1.25	FKM	BLACK
OPTIONAL 10	ID CARRIER	-	-

FUNCTIONAL SYMBOLS $\nabla_A = 0$ $\nabla_F = 0$ $\nabla_V = 0$	THIS DRAWING CONTAINS INFORMATION THAT IS PROPRIETARY TO MOLEX ELECTRONIC TECHNOLOGIES, LLC AND SHOULD NOT BE USED WITHOUT WRITTEN PERMISSION	SCALE <b>2:1</b>		CURRENT REV DESC: UPDATED ATTRIBUTE TO GENERAL MARKET IN ECTR			
	DIMENSION UNITS <b>mm</b>	GENERAL TOLERANCES (UNLESS SPECIFIED)					
	DIVISIONAL SYMBOLS	ANGULAR TOL ± 1.0°	EC NO: 735577	DRWN: NIKHIS3	2023/01/12	<b>molex</b>	
	4 PLACES ±	3 PLACES ±	APPR: RSILLER	2023/01/19	CSE M12 5P LC FE STR MA STR WSOR GY XM		
2 PLACES ± 0.05	1 PLACE ± 0.3	INITIAL REVISION:	PRODUCT CUSTOMER DRAWING		DOCUMENT NUMBER		
0 PLACES ± 0.5	DRAFT WHERE APPLICABLE MUST REMAIN WITHIN DIMENSIONS	DRWN: FDAFERNER	2020/08/19	APPR: RSILLER	2022/12/05	1205010200	
THIRD ANGLE PROJECTION		DRAWING	SERIES	MATERIAL NUMBER	CUSTOMER	SHEET NUMBER	
		<b>A3-SIZE</b>	<b>120501</b>	SEE TABLE 2	GENERAL MARKET	1 OF 2	

# ENGINEERING NO - NUMERICAL CODE (Available parts see PART LIST table. Other parts available upon request).

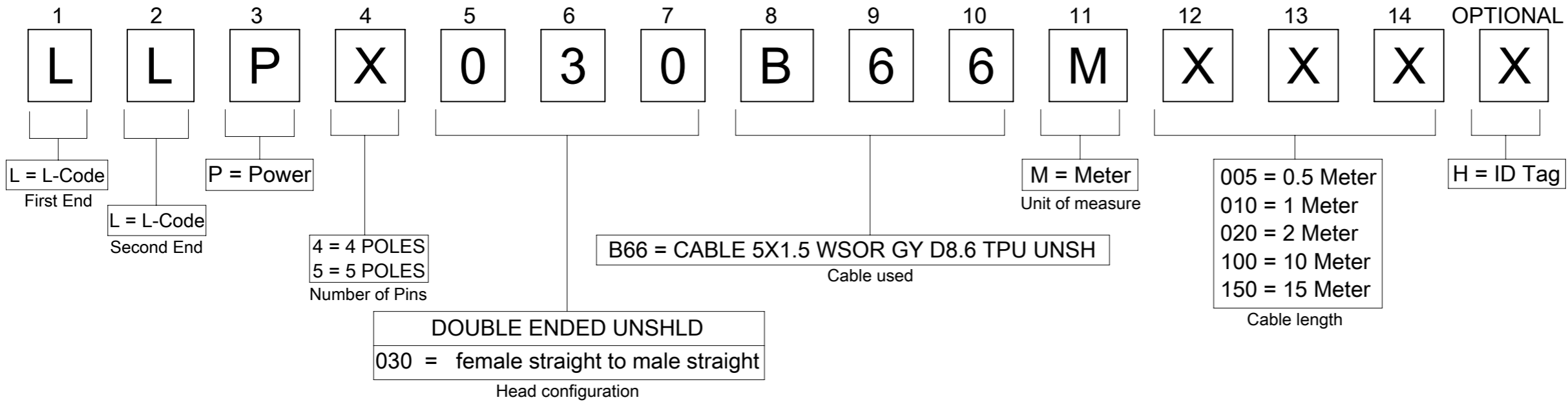


TABLE 2

NOMINAL SECTION 1,5mm <sup>2</sup>			
MATERIAL NO.	ENGINEERING NO.	L [mm]	TOLERANCE [mm]
1205010200	LLP5030B66M005	500	+40
1205010201	LLP5030B66M010	1000	+40
1205010202	LLP5030B66M020	2000	+60
1205010203	LLP5030B66M030	3000	+60
1205010204	LLP5030B66M050	5000	+60
1205010205	LLP5030B66100	10000	+80
1205010206	LLP5030B66M150	15000	+140
1205010207	LLP5030B66M200	20000	+160

FUNCTIONAL SYMBOLS	THIS DRAWING CONTAINS INFORMATION THAT IS PROPRIETARY TO MOLEX ELECTRONIC TECHNOLOGIES, LLC AND SHOULD NOT BE USED WITHOUT WRITTEN PERMISSION				
	$\nabla_A = 0$ $\nabla_B = 0$ $\nabla_C = 0$	DIMENSION UNITS: <b>mm</b> SCALE: <b>1:1</b> GENERAL TOLERANCES (UNLESS SPECIFIED) ANGULAR TOL $\pm 1.0^\circ$			
DIVISIONAL SYMBOLS	4 PLACES $\pm$	2023/01/12	CSE M12 5P LC FE STR MA STR WSOR GY XM		
	3 PLACES $\pm$	2023/01/19	PRODUCT CUSTOMER DRAWING		
	2 PLACES $\pm 0.05$	2023/01/19	DOCUMENT NUMBER	DOC TYPE	DOC PART
	1 PLACE $\pm 0.3$	2020/08/19	1205010200	PSD	000
0 PLACES $\pm 0.5$	2022/12/05	REVISION		A1	
DRAFT WHERE APPLICABLE MUST REMAIN WITHIN DIMENSIONS		THIRD ANGLE PROJECTION	DRAWING	SERIES	MATERIAL NUMBER
			A3-SIZE	120501	SEE TABLE 2
			CUSTOMER		SHEET NUMBER
			GENERAL MARKET		2 OF 2