

MATERIALS AND FINISHES:

SMA JACK STR BKHD  
IP68 CONNECTOR:

BODY, CRIMP TUBE, JAM NUT: BRASS  
PLATED GOLD

CENTER CONTACT: BERYLLIUM COPPER  
PLATED GOLD

INSULATOR: PTFE

LOCK WASHER: PHOSPHOR BRONZE  
PLATED GOLD

GASKET: SILICONE RUBBER

MHF® I LK CONNECTOR:

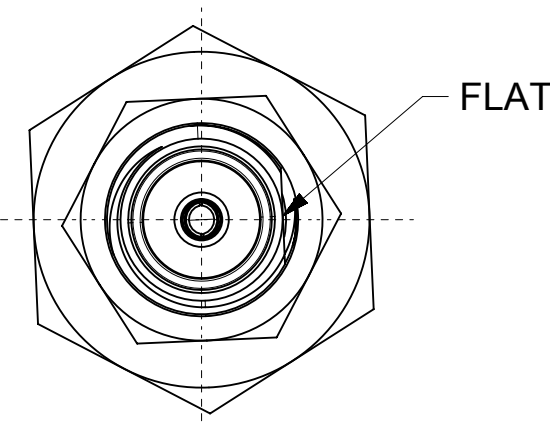
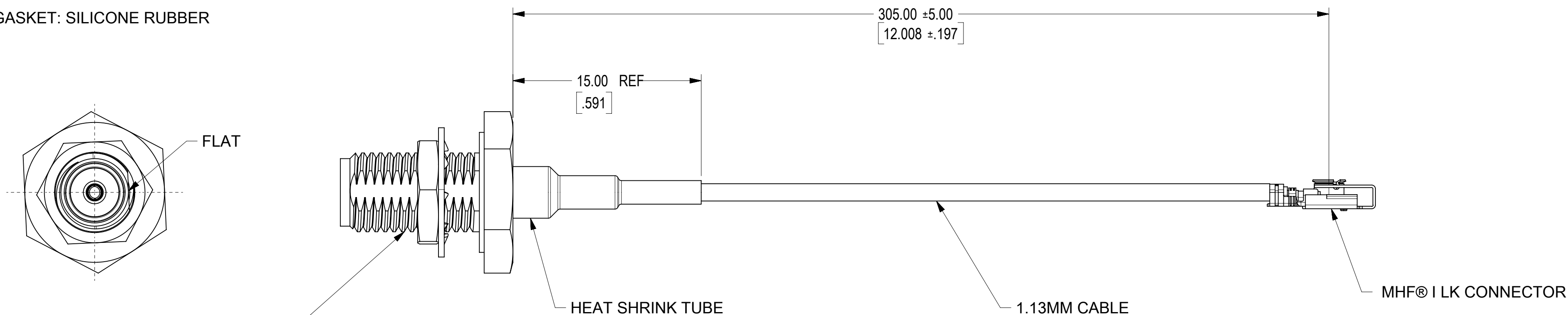
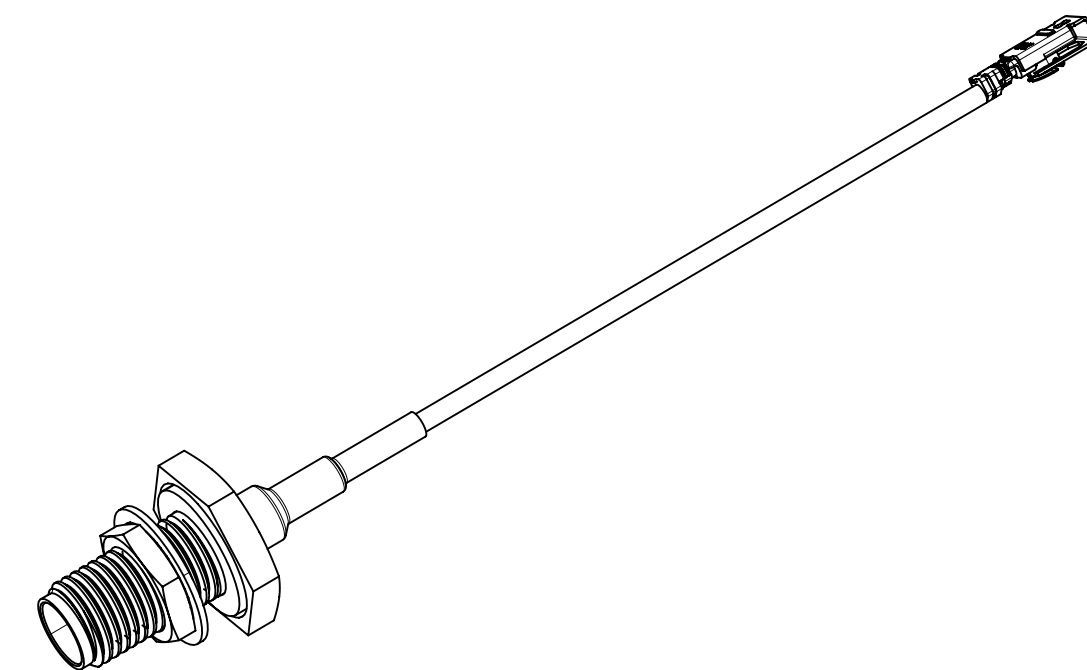
CABLE: 1.13MM CABLE

HEAT SHRINK TUBE: PE

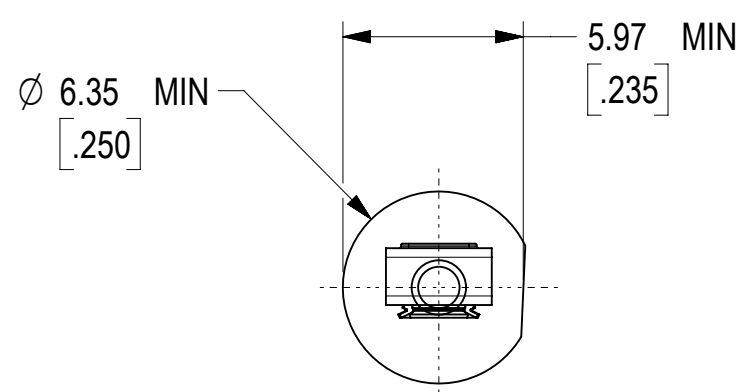
PERFORMANCE REQUIREMENTS

FREQUENCY RANGE: 0-6GHz  
IMPEDANCE: 50 Ω  
WITHSTAND VOLTAGE(AC): 350V @0.5mA  
CONTINUITY: 100% TEST  
PANEL LEAKAGE: IP68

PACKAGING BY PLASTIC BAG



SMA JACK STR BKHD IP68 CONNECTOR  
73251-6390



RECOMMENDED MOUNTING HOLE

PART # 73230-6240

FUNCTIONAL SYMBOLS	THIS DRAWING CONTAINS INFORMATION THAT IS PROPRIETARY TO MOLEX ELECTRONIC TECHNOLOGIES, LLC AND SHOULD NOT BE USED WITHOUT WRITTEN PERMISSION		CURRENT REV DESC:						
	DIMENSION UNITS	SCALE							EC NO: 727067
▽A = 0	MM/INCH	4:1	DRWN: MYLU07	2022/11/04	PRODUCT CUSTOMER DRAWING				
▽C = 0	GENERAL TOLERANCES (UNLESS SPECIFIED)		CHK'D: JCHEN108	2022/11/04					
▽P = 0	ANGULAR TOL ± °		APPR: LCHEN03	2022/11/04	DOCUMENT NUMBER				
DIVISIONAL SYMBOLS	4 PLACES ±		INITIAL REVISION:	2022/07/20	732306240		DOC TYPE	DOC PART	REVISION
	3 PLACES ±		DRWN: MYLU07	2022/09/22	PSD		000	A1	
	2 PLACES ±		APPR: LCHEN03		MATERIAL NUMBER		CUSTOMER	SHEET NUMBER	
	1 PLACE ±		DRAFT WHERE APPLICABLE MUST REMAIN WITHIN DIMENSIONS	THIRD ANGLE PROJECTION	DRAWING	SERIES	73230	1 OF 1	
	0 PLACES ±				C-SIZE		73230-6240	GENERAL MARKET	