

4

3

2

1

© 2022 TE Connectivity. All Rights Reserved.

REVISIONS

P	LTR	DESCRIPTION	DATE	DWN	APVD
	BA	INITIAL DRAWING RELEASE	21OCT2022	LG	AP

FOR FURTHER INFORMATION SEE DATA SHEET FOR  
RLW73 SERIES WIDE TERMINAL CURRENT SENSING RESISTOR

6.3 ±0.15

3.1 ±0.15

0.6 ±0.1

0.45 ±0.2

0.75 ±0.15

RoHS Compliant

SCALE 10:1

RECOMMENDED LAND PATTERN

1.2

1.6

6.4

THIS DRAWING IS A CONTROLLED DOCUMENT.

DWN LALITH G 21OCT2022

CHK ALLAN P 21OCT2022

APVD ALLAN P 21OCT2022

PRODUCT SPEC -

APPLICATION SPEC -

WEIGHT -

CUSTOMER DRAWING

NAME  
WIDE TERMINAL CURRENT SENSING  
RESISTOR TYPE RLW73 SERIES

SIZE CAGE CODE DRAWING NO RESTRICTED TO

A3 00779 ©=2176549-CD

SCALE 25:1 SHEET 1 OF 2 REV BA

DIMENSIONS:

mm

MATERIAL -

TOLERANCES UNLESS OTHERWISE SPECIFIED:

0 PLC	±0.2
1 PLC	±0.1
2 PLC	±
3 PLC	±
4 PLC	±
ANGLES	±

FINISH -

TE Connectivity


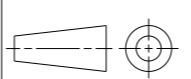
1470-19 (3/13)

REVISIONS

P	LTR	DESCRIPTION	DATE	DWN	APVD
-		SEE SHEET 1	-	-	-

SCHEDULE

TCPN	CATALOGUE NUMBER	PART DESCRIPTION	PART STATUS
2176549-1	RLW 73A3FR010TDF	RLW 73 A3 1% R010 600ppm 1k RL	PRODUCTION
2176549-2	RLW 73A3FR012TDF	RLW 73 A3 1% R012 600ppm 1k RL	PRODUCTION
2176549-3	RLW 73A3FR015TDF	RLW 73 A3 1% R015 600ppm 1k RL	PRODUCTION
2176549-4	RLW 73A3FR018TDF	RLW 73 A3 1% R018 600ppm 1k RL	PRODUCTION
2176549-5	RLW 73A3FR022TDF	RLW 73 A3 1% R022 600ppm 1k RL	PRODUCTION
2176549-6	RLW 73A3FR027TDF	RLW 73 A3 1% R027 600ppm 1k RL	PRODUCTION
2176549-7	RLW 73A3FR033TDF	RLW 73 A3 1% R033 200ppm 1k RL	PRODUCTION
2176549-8	RLW 73A3FR039TDF	RLW 73 A3 1% R039 200ppm 1k RL	PRODUCTION
2176549-9	RLW 73A3FR047TDF	RLW 73 A3 1% R047 200ppm 1k RL	PRODUCTION
1-2176549-0	RLW 73A3FR056TDF	RLW 73 A3 1% R056 200ppm 1k RL	PRODUCTION
1-2176549-1	RLW 73A3FR068TDF	RLW 73 A3 1% R068 200ppm 1k RL	PRODUCTION
1-2176549-2	RLW 73A3FR082TDF	RLW 73 A3 1% R082 200ppm 1k RL	PRODUCTION
1-2176549-3	RLW 73A3FR10TDF	RLW 73 A3 1% R10 200ppm 1k RL	PRODUCTION
1-2176549-4	RLW 73A3FR12TDF	RLW 73 A3 1% R12 200ppm 1k RL	PRODUCTION
1-2176549-5	RLW 73A3FR15TDF	RLW 73 A3 1% R15 200ppm 1k RL	PRODUCTION
1-2176549-6	RLW 73A3FR18TDF	RLW 73 A3 1% R18 200ppm 1k RL	PRODUCTION
1-2176549-7	RLW 73A3FR22TDF	RLW 73 A3 1% R22 200ppm 1k RL	PRODUCTION
1-2176549-8	RLW 73A3FR27TDF	RLW 73 A3 1% R27 200ppm 1k RL	PRODUCTION
1-2176549-9	RLW 73A3FR33TDF	RLW 73 A3 1% R33 200ppm 1k RL	PRODUCTION
2-2176549-0	RLW 73A3FR39TDF	RLW 73 A3 1% R39 200ppm 1k RL	PRODUCTION
2-2176549-1	RLW 73A3FR47TDF	RLW 73 A3 1% R47 200ppm 1k RL	PRODUCTION
2-2176549-2	RLW 73A3FR56TDF	RLW 73 A3 1% R56 200ppm 1k RL	PRODUCTION
2-2176549-3	RLW 73A3FR68TDF	RLW 73 A3 1% R68 200ppm 1k RL	PRODUCTION

THIS DRAWING IS A CONTROLLED DOCUMENT.		DWN LALITH G	21OCT2022	 TE Connectivity	
DIMENSIONS: mm		CHK ALLAN P	21OCT2022		
		APVD ALLAN P	21OCT2022		
TOLERANCES UNLESS OTHERWISE SPECIFIED:		PRODUCT SPEC		NAME WIDE TERMINAL CURRENT SENSING RESISTOR TYPE RLW73 SERIES	
0 PLC ±0.2		-		-	
1 PLC ±0.1		APPLICATION SPEC		-	
2 PLC ±		-		SIZE	
3 PLC ±		WEIGHT		CAGE CODE	
4 PLC ±		-		DRAWING NO	
ANGLES ±		-		RESTRICTED TO	
FINISH		-		-	
MATERIAL		-		A3 00779	
-		-		©=2176549-CD	
-		-		SCALE 25:1 SHEET 2 OF 2 REV BA	