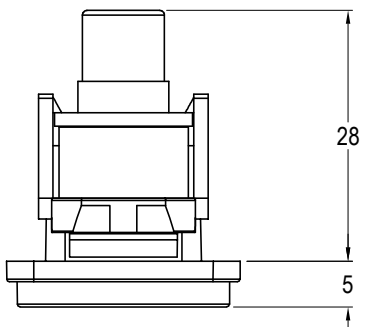
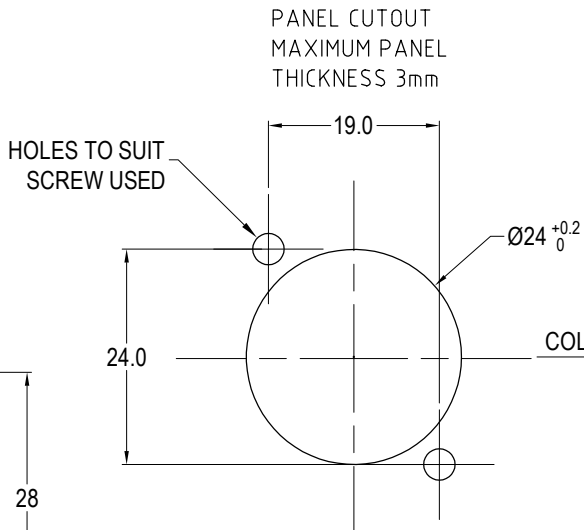
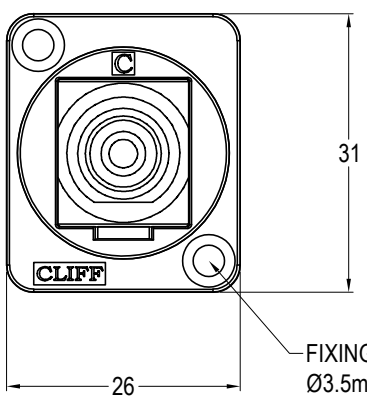


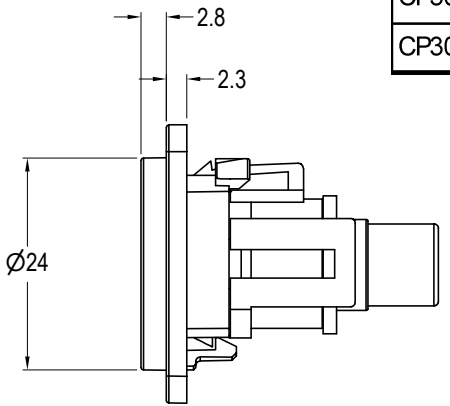
ISS.	AMEND	DATE
1		03/12/15
2	ISSUED UPDATED	31/05/23



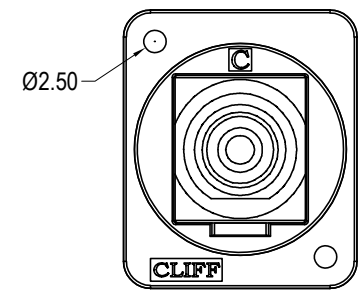
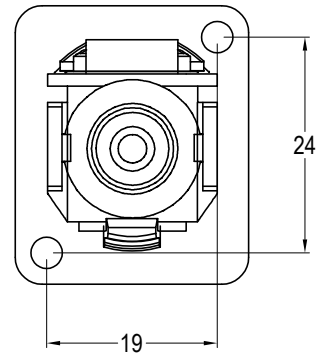
VARIANTS		
PART NO.	HOLE DETAILS	COLOUR
CP30230	HOLE Ø3.50 X CSK 82° X Ø5.85	RED
CP30230X	PLAIN HOLE Ø2.50	
CP30231	HOLE Ø3.50 X CSK 82° X Ø5.85	WHITE
CP30231X	PLAIN HOLE Ø2.50	
CP30232	HOLE Ø3.50 X CSK 82° X Ø5.85	YELLOW
CP30232X	PLAIN HOLE Ø2.50	



FIXING HOLE VARIANTS:  
Ø3.5mm CSK 82° x Ø5.85  
'X' VERSION HAS Ø2.5 HOLES



Material:  
1. Contacts: gold plating over nickel.  
2. Frame: Polyamide UL-94V2



'X' VERSION  
Ø2.5 PLAIN HOLES

**RoHS**  
COMPLIANT

TOLERANCE  
NO DEC. PLACE ±  
1 DEC. PLACE ±  
2 DEC. PLACE ±  
HOLE Ø ±  
ANGLES ±  
UNLESS OTHERWISE STATED

DO NOT SCALE

**Cliff Electronic Components Ltd.**  
76 Holmethorpe Avenue, Holmethorpe Industrial Estate,  
Redhill, Surrey, RH1 2PF, England, UK  
Tel: 01737-771375 Fax: 01737-766012 Website: www.cliffuk.co.uk

DIMENSIONS IN MILLIMETERS UNLESS OTHERWISE STATED. WORK TO DIMENSIONS. REMOVE ALL BURRS. IF IN DOUBT ASK.

3rd ANGLE PROJECTION:

MATERIAL: See Notes  
FINISH: See Notes

TITLE: FEED THROUGH RCA PHONO

THE CONTENTS OF THIS DOCUMENT MUST NOT BE COPIED OR DISCLOSED TO A 3rd PARTY WITHOUT WRITTEN PERMISSION OF CLIFF UK. © 2015

DRAWN: D.P.J.

APPROVED: D.P.J.

DRWG. No. **CP30230**

FORM: A4DRWGH