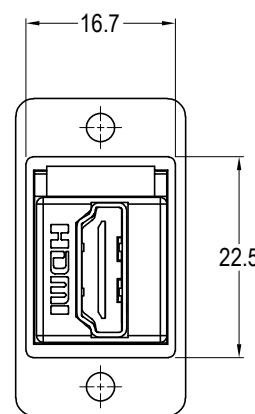
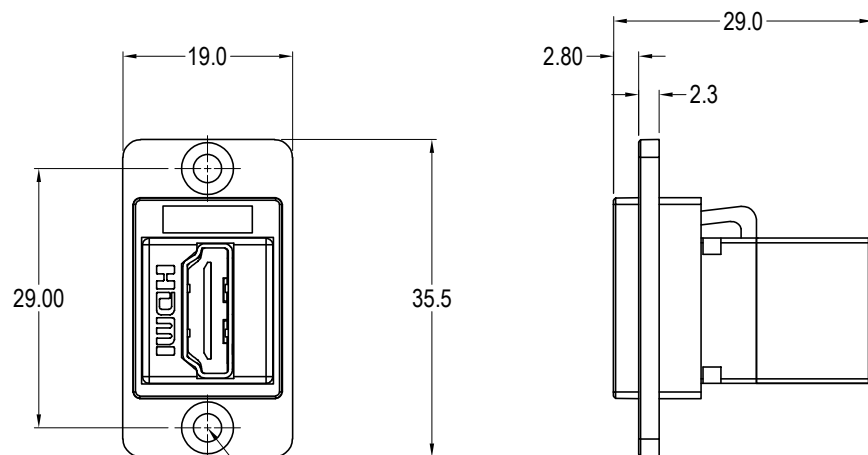
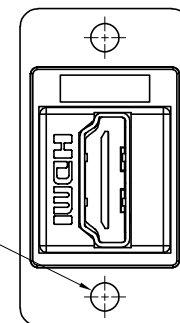
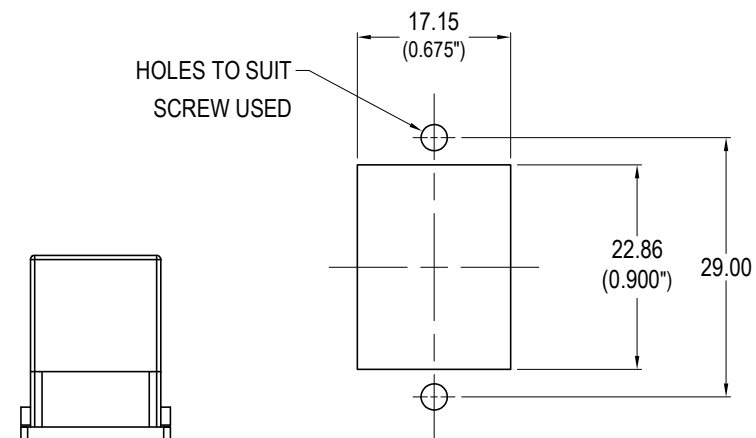


ISS.	AMEND	DATE
1	ISSUED	05/01/21

DUAL MOUNT
CAN BE FRONT OR REAR MOUNTED



Ø3.20 PLAIN HOLE
CP30700GMBX1

VARIANTS	
PART NO.	HOLE DETAILS
CP30700GMB	HOLE Ø3.2 x CSK 90° x Ø5.85
CP30700GMB3	M3 HOLES
CP30700GMB440	#4-40 HOLES
CP30700GMBX1	PLAIN HOLE Ø3.2

4x HOLE VARIANTS
Ø3.2mm CSK 90° x Ø5.85
M3 x 0.5 THREAD
#4-40 UNC THREAD
PLAIN Ø3.2 HOLES

- Material:
1. Insert: ABS UL94 HB
 2. FT Frame: Diecast, Black
 3. Shell: Gold plated
 4. Contacts: Gold Plated

RoHS
COMPLIANT

TOLERANCE
NO DEC. PLACE ±
1 DEC. PLACE ±
2 DEC. PLACE ±
HOLE Ø ±
ANGLES ±
UNLESS OTHERWISE STATED

Cliff Electronic Components Ltd.

76 Holmethorpe Avenue, Holmethorpe Industrial Estate,
Redhill, Surrey, RH1 2PF, England, UK
Tel: 01737-771375 Fax: 01737-766012 Website: www.cliffuk.co.uk

DIMENSIONS IN MILLIMETERS UNLESS OTHERWISE STATED. WORK TO DIMENSIONS. REMOVE ALL BURRS. IF IN DOUBT ASK.

3rd ANGLE PROJECTION:

MATERIAL: See Notes

FINISH: See Notes

DRAWN: T.J.O.

APPROVED: D.P.J.

TITLE: DUAL SLIM BLACK METAL FT HDMI F-F

DRWG. No. CP30700GMB

FORM: A4DRWGH