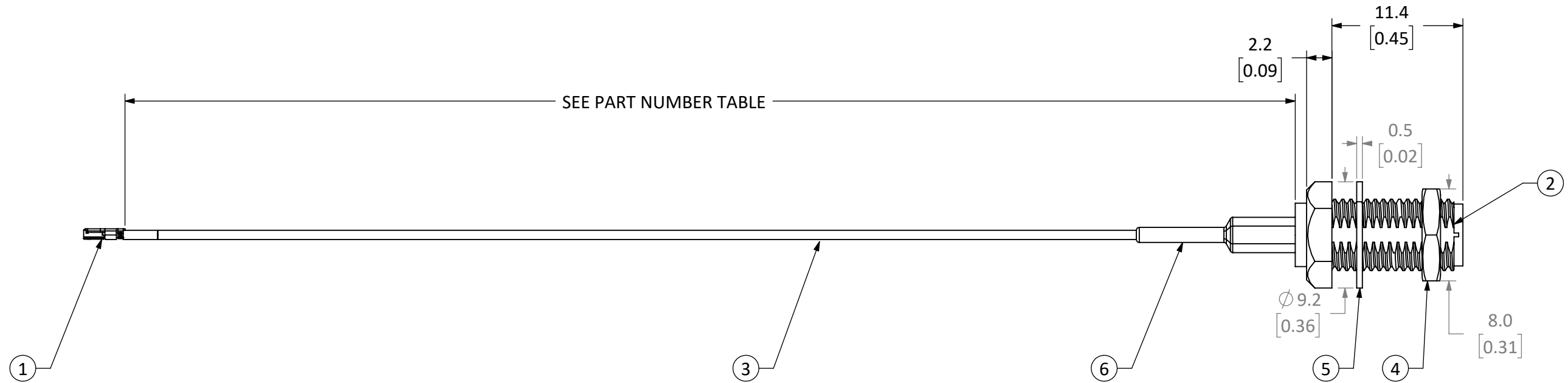
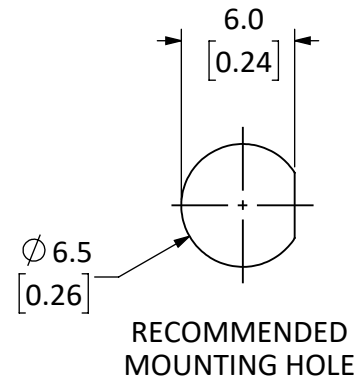


ITEM	DESCRIPTION
1	CONNECTOR MHF4 TYPE Au/BrS
2	RP-SMA FEM. BULKHEAD MOUNT CONNECTOR Au/BrS
3	CABLE COAX .81 BLACK
4	NUT HEX 1/4-20 PNL 1.6 Au/BrS
5	WASHE TOOTH 1/4 Au/BrS
6	HEAT SHRINK TUBING POLYOLEFIN BLACK

REVISIONS			
REV	DESCRIPTION	DATE	APPV
A	INITIAL RELEASE OF LINX INTERNAL DRAWING	13-NOV-19	CLL



NOTES: (UNLESS OTHERWISE SPECIFIED)

1. ALL DIMENSIONS ARE IN MILLIMETERS [INCHES].
2. DIMENSIONS APPLY AFTER FINISHING.
3. MANUFACTURE TO BE COMPLIANT WITH EU RoHS DIRECTIVE, USE MATERIALS THAT DO NOT CONTAIN REACH SUBSTANCES OF VERY HIGH CONCERN >1000ppm, AND USE DRC CONFLICT-FREE SOURCED MATERIALS.
4. ELECTRICAL SPECIFICATIONS ARE LISTED FOR REFERENCE ONLY. SEE LINX DATA SHEET FOR ELECTRICAL PROPERTIES.
  1. MINIMUM FREQUENCY RANGE: DC TO 6GHz.
  2. CHARACTERISTIC IMPEDANCE:  $50\Omega \pm 3\Omega$
  3. INSERTION LOSS: SEE TABLE
5. MECHANICAL SPECIFICATIONS
  1. CONNECTOR TO BE APPLIED IN ACCORDANCE WITH CONNECTOR SUPPLIER RECOMMENDED PROCEDURE [IPC/WHMA-A-610]
  2. TORQUE SPECIFICATIONS:
    1. BULKHEAD MOUNTING NUT TORQUE: 7 TO 10 in-lbs.
    2. RECOMMENDED MATING TORQUE: 5 in-lbs.
  3. CONNECTORS TO BE ORIENTED WITH MHF4 CONNECTOR MATING FACE 90° CLOCKWISE FROM BULKHEAD CONNECTOR THREAD FLAT FACE, AS SHOWN.
  4. INSTALL WASHER (ITEM 5) AND NUT (ITEM 4) AS SHOWN.
  5. MINIMUM BEND RADIUS 3.24
  6. MAX PANEL THICKNESS 3.4 [1/8in]
6. LABEL LOT BAG AND BOX IAW LINX LABEL DRAWING [MEC-LBL-4x2.5-PAPER-ID]

PART NUMBER	CABLE LENGTH	INSERTION LOSS
CSJ-RGFB-100-MHF4	100mm ± 1.5mm	0.37vf IN GHz
CSJ-RGFB-200-MHF4	200mm ± 3.0mm	0.68vf IN GHz

**WARNING:** THIS DRAWING CONTAINS PROPRIETARY INFORMATION THAT IS THE SOLE PROPERTY OF LINX TECHNOLOGIES, AND SHALL BE TREATED AS SUCH. NO DISCLOSURE OR REPRODUCTION OF THIS DOCUMENT IS PERMITTED, IN WHOLE OR IN PART, WITHOUT THE EXPRESS WRITTEN PERMISSION OF LINX TECHNOLOGIES OR ITS DESIGNATED AGENTS.

**STE** connectivity  
159 ORT LANE  
MERLIN, OR 97532

MATERIAL:	INTERPRET DIMENSIONS AND TOLERANCES PER ASME Y14.5.	PROJECTION:	TITLE:
WEIGHT:	.X ±2.0 .XX ±1.00 .XXX ±.500	ANGLES: ±1° SURFACE: √	<b>CBL ASSEMBLY, MHF4 TO FEM. BLKHD RP-SMA, 0.81mm CBL</b>
FINISH:	DRAWN: B.MURPHY ENGR: DV	DT: 23-SEP-19 DT: 13-NOV-19	SIZE DWG. NO. REV <b>B</b> C-CSJ-RGFB-ccc-MHF4 <b>A</b>
SCALE: 2.5:1		DO NOT SCALE DRAWING	SHEET 1 OF 1