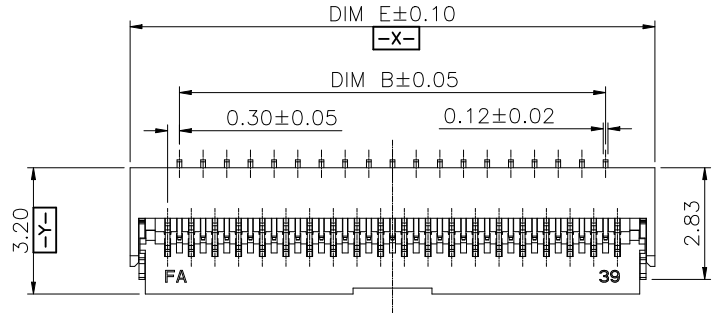


halogen free

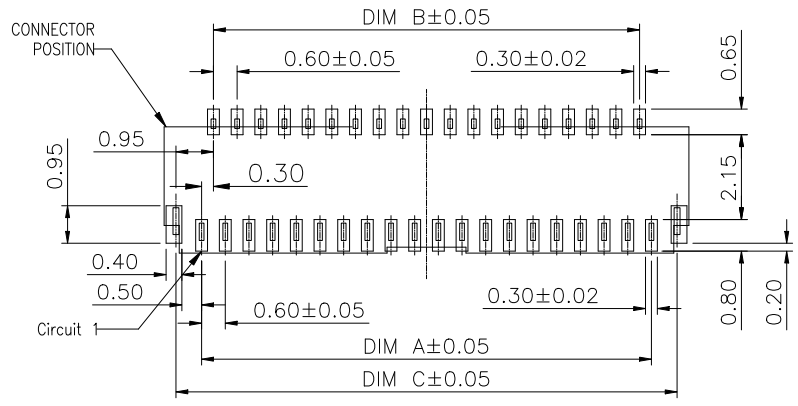
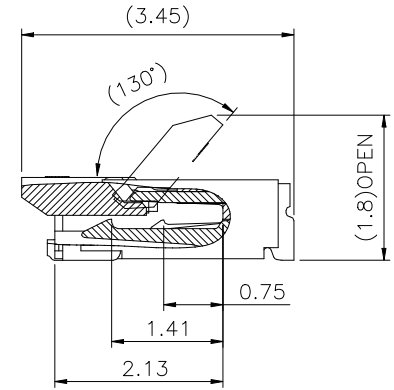
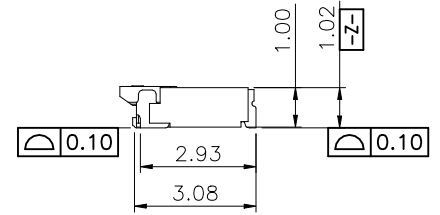
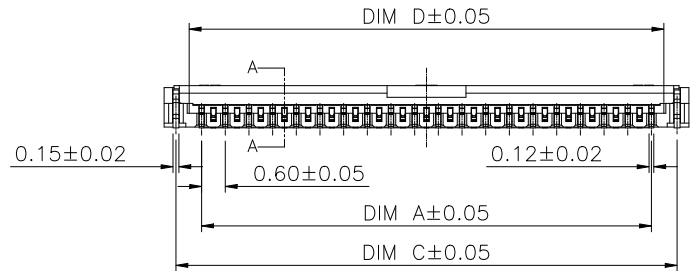
REV.	ECR/ECN No.	DESCRIPTION	DRAWN/DATE	CHECKED/DATE	APPROVED/DATE
A	/	NEW REVISION	May.Wang 2019-11-09	SH.Chen 2019-11-09	Rain.Han 2019-11-09



NO.	COMPONENTS	MATERIALS	SPECIFICATION:FINISH/COLOR	QTY.
1	HOUSING	thermoplastic high temp.	BLACK,UL94V-0	1
2	Actuator	thermoplastic high temp.	BLACK,UL94V-0	1
2	Terminals	PHOSPHOR BRONZE,T=0.12mm	50~100u" Nickel under plating over all 3u"Gold on contact and Gold flash solder area.	N
3	FITTING NAIL	PHOSPHOR BRONZE,T=0.15mm	50~100u" Nickel under plating over all 80~150u" Matte-Tin over all.	2

NOTE:  
 1.COMPLIANT TO RoHS 2.0  
 2."▽" Mark is Critical characteristic dimension  
 3."▼" Mark is Significant characteristic dimension  
 4.PART NO. LEGEND:

F14D-1B7H1-E8C\*\*  
 NO. OF POSITIONS  
 7H:PHOSPHOR BRONZE  
 0.075um MIN Au



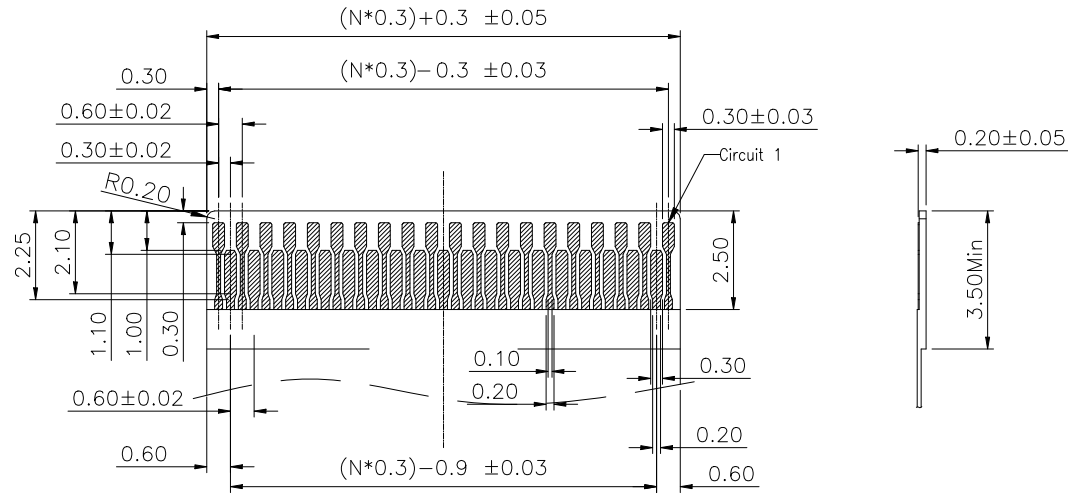
RECOMMENDED P.C.B PATTERN LAYOUT

UNLESS OTHERWISE SPECIFIED TOLERANCES		ANGLE OF PROJECTION		Amphenol AORORA	
X.	±0.30	X. *	± 5'	Amphenol Aorora Technology (Huizhou) Co.,Ltd	
X.X	±0.25	X.X *	± 4'	TITLE:	
X.XX	±0.20	X.XX *	± 3'	0.3Pitch H=1.0 FPC/FFC Front flip R/A Type2 SMT CONN	
X.XXX	±0.15	X.XXX *	± 2'	DRAWN DATE: May.Wang 2021-11-09	
LINEAR DIMS		ANGLES DIMS		DESIGN DATE: May.Wang 2021-11-09	
DWG NO.:	A-S0722			CHECKED DATE: SH.Chen 2021-11-09	
MATERIAL	SEE NOTES			APPROVED DATE: Rain.Han 2021-11-09	
FINISHED	SEE NOTES			SCALE	1:1
			SIZE	PART NUMBER:	REV.
			A4	F14D-1B7H1-E8C**	A
			UNIT : mm	SHEET 1 OF 3	

This document is the property of and embodies CONFIDENTIAL and PROPRIETARY information of AOR. No part of the information shown on this document may be used in any way or disclosed to others without the written consent of AOR. © 2019 AOR



# 1. FFC PATTERN DIMENSION



RECOMMENDED FPC/FFC DIMENSION

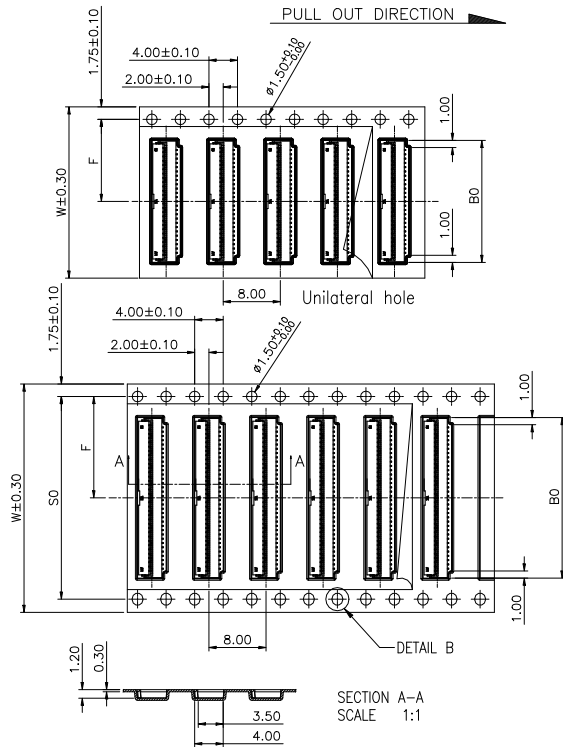
# 2. DIMENSIONS LIST:

NO.OF POS	DIM A	DIM B	DIM C	DIM D	DIM E	NO.OF POS	DIM A	DIM B	DIM C	DIM D	DIM E
07	1.80	1.20	3.10	2.43	3.70	43	12.60	12.00	13.90	13.23	14.50
13	3.60	3.00	4.90	4.23	5.50	45	13.20	12.60	14.50	13.83	15.10
15	4.20	3.60	5.50	4.83	6.10	47	13.80	13.20	15.10	14.43	15.70
17	4.80	4.20	6.10	5.43	6.70	49	14.40	13.80	15.70	15.03	16.30
19	5.40	4.80	6.70	6.03	7.30	51	15.00	14.40	16.30	15.63	16.90
21	6.00	5.40	7.30	6.63	7.90	53	15.60	15.00	16.90	16.23	17.50
23	6.60	6.00	7.90	7.23	8.50	55	16.20	15.60	17.50	16.83	18.10
25	7.20	6.60	8.50	7.83	9.10	57	16.80	16.20	18.10	17.43	18.70
27	7.80	7.20	9.10	8.43	9.70	59	17.40	16.80	18.70	18.03	19.30
29	8.40	7.80	9.70	9.03	10.30	61	18.00	17.40	19.30	18.63	19.90
31	9.00	8.40	10.30	9.63	10.90	63	18.60	18.00	19.90	19.23	20.50
33	9.60	9.00	10.90	10.23	11.50	65	19.20	18.60	20.50	19.83	21.10
35	10.20	9.60	11.50	10.83	12.10	67	19.80	19.20	21.10	20.43	21.70
37	10.80	10.20	12.10	11.43	12.70	69	20.40	19.80	21.70	21.03	22.30
39	11.40	10.80	12.70	12.03	13.30	71	21.00	20.40	22.30	21.63	22.90
41	12.00	11.40	13.30	12.63	13.90						

UNLESS OTHERWISE SPECIFIED TOLERANCES			ANGLE OF PROJECTION		 Amphenol Aorora Technology (Huizhou) Co.,Ltd
X.	±0.30	X. *	± 5'		
X.X	±0.25	X.X *	± 4'		DOC TYP Customer Drw
X.XX	±0.20	X.XX *	± 3'	DRAWN DATE May.Wang 2021-11-09	SIZE PART NUMBER: A4 F14D-1B7H1-E8C**
X.XXX	±0.15	X.XXX *	± 2'	DESIGN DATE May.Wang 2021-11-09	REV. A
LINEAR DIMS		ANGLES DIMS		CHECKED DATE SH.Chen 2021-11-09	SCALE 1:1
DWG NO.: A-S0722		SEE NOTES		APPROVED DATE Rain.Han 2021-11-09	UNIT : mm
MATERIAL		SEE NOTES		SHEET 2 OF 3	

This document is the property of and embodies CONFIDENTIAL and PROPRIETARY information of AOR. No part of the information shown on this document may be used in any way or disclosed to others without the written consent of AOR. © 2019 AOR

1. PACKING INTO REEL:

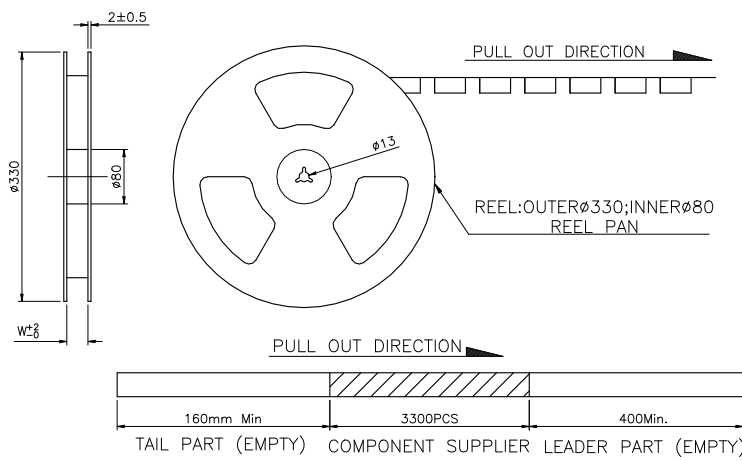
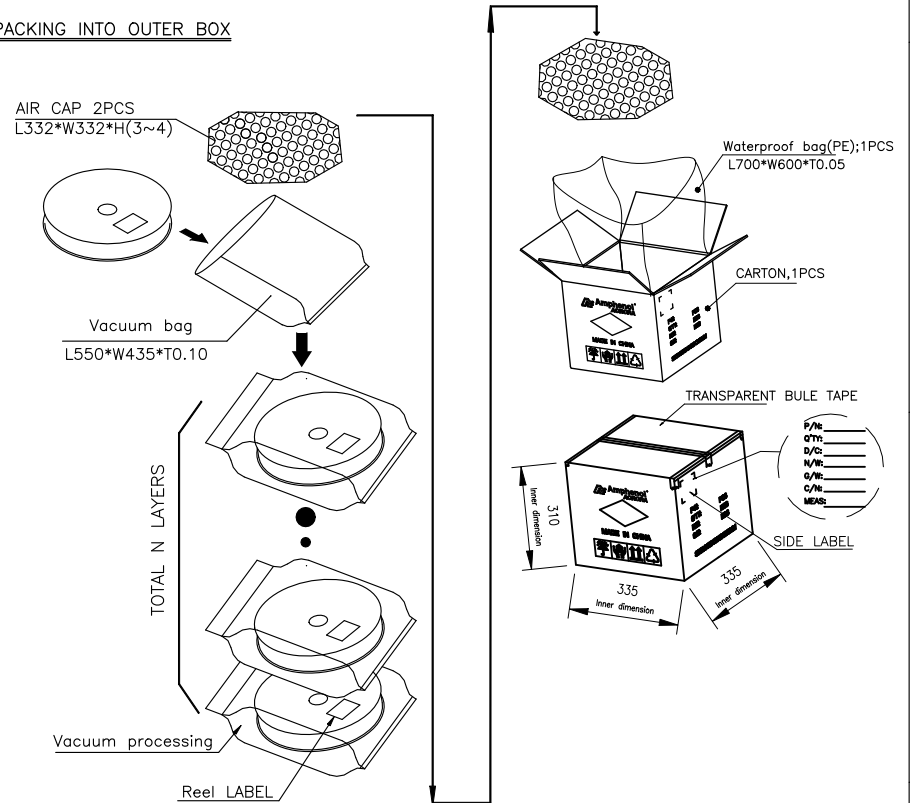


CKTS	B0±0.10	W	W1	F±0.10	S0±0.10	N
07	3.90					
09	7.30					
11	10.30					
13	10.30					
15	10.30	16.0±0.30	16.4	7.50		15
17	10.30					
19	10.30					
21	10.30					
23	10.30					
25	10.30					
27	10.30					
29	10.30					
31	10.30					
33	10.30					
35	10.30					
37	10.30					
39	10.30	24.0±0.30	24.4	11.5		10
41	10.30					
43	10.30					
45	10.30					
47	10.30					
49	10.30					
51	10.30					
53	10.30					
55	10.30					
57	10.30					
59	10.30					
61	10.30	32.0±0.30	32.4	14.5	28.4	8
63	10.30					
65	10.30					
67	10.30					
69	10.30					
71	10.30	44.0±0.30	44.4	20.2	20.2	6

NOTES:

- MATERIAL:
  - CARRY TAPE:HIPS,T=0.30mm,CLEAR
  - REEL:HIPS,BLUE.
  - SHIM:PE,CLEAR.
- PRIMARY PACKING:5000PCS/REEL.
- SECONDARY PACKING:"N"REELS/CARTON ("TOTAL"=N REEL/CARTON).
- PEELING RESISTANCE: 0.1N~0.7N(10~70gf);  
PEELING ANGLE: 165°~180°;  
PEELING SPEED: 300mm/minutes.

2:PACKING INTO OUTER BOX



UNLESS OTHERWISE SPECIFIED TOLERANCES			ANGLE OF PROJECTION		Amphenol AORORA	
X.	±0.30	X. *	± 5'			Amphenol Aorora Technology (Huizhou) Co.,Ltd
X.X	±0.25	X.X *	± 4'			
X.XX	±0.20	X.XX *	± 3'	Customer Drw		TITLE:
X.XXX	±0.15	X.XXX *	± 2'	DOC TYPE	May 2021-11-09	0.3Pitch H=1.0 FPC/FFC Front flip R/A Type2 SMT CONN
LINEAR DIMS		ANGLES DIMS		DESIGN DATE	May 2021-11-09	SIZE PART NUMBER:
DWG NO.:		A-S0722		CHECKED DATE	SH.Chen 2021-11-09	A4 F14D-1B7H1-E8C**
MATERIAL		SEE NOTES		APPROVED DATE	Rain.Han 2021-11-09	REV. A
FINISHED		SEE NOTES		SCALE	1:1	UNIT : mm SHEET 3 OF 3

This document is the property of and embodies CONFIDENTIAL and PROPRIETARY information of AOR. No part of the information shown on this document may be used in any way or disclosed to others without the written consent of AOR. © 2019 AOR

