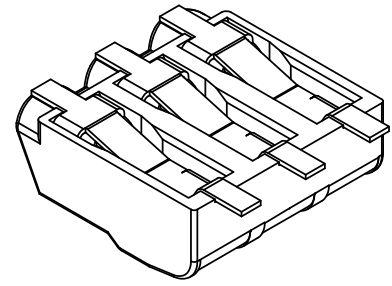
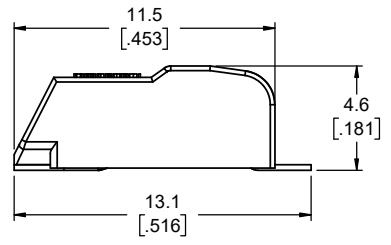
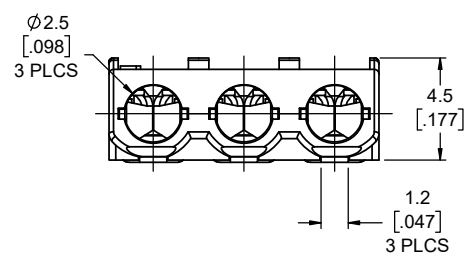
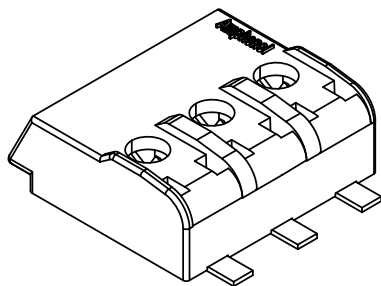
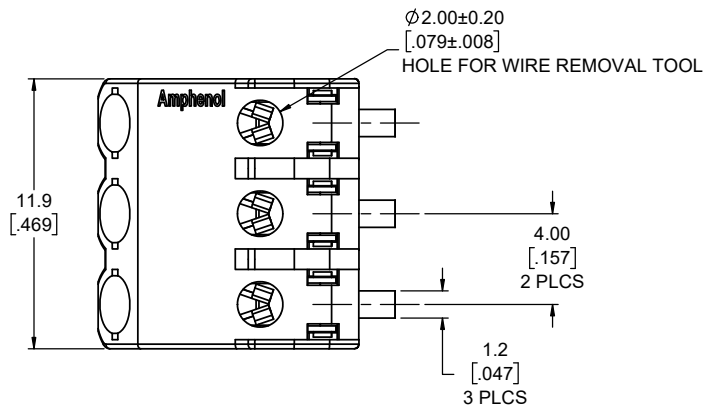


| REVISIONS | | | |
|-----------|---------------------------|----------|-------|
| REV | DESCRIPTION, ECN, EAR NO. | DATE | APP'D |
| D | PRODUCT DWG - EAR 15077 | APR05/23 | C.Z. |
| E | PRODUCT DWG - EAR 15077 | JUN08/23 | C.Z. |



GENERAL NOTES:

- MATERIALS:** ALL MATERIALS ARE RoHS COMPLIANT PER EU DIRECTIVE 2011/65/EU & AMENDMENTS.
 - HOUSING: LCP, WHITE.
 - CONTACTS: Cu ALLOY, TIN-PLATED.
- ELECTRICAL CHARACTERISTICS:**
 - CURRENT RATING: 7A (18 AWG), 5A (20 AWG), 3A (22 AWG), 2A (24AWG), PER CONTACT.
 - VOLTAGE RATING: 250V.
 - INSULATION RESISTANCE: 500 MΩ MIN @ 500 VDC.
 - DIELECTRIC WITHSTANDING VOLTAGE: 1500 VAC FOR 1 MINUTE.
- OPERATING TEMPERATURE RANGE:** -40°C TO +105°C.
- MECHANICAL CHARACTERISTICS:**
 - DIRECT INSERTION OF SOLID WIRE OR STRANDED WIRE WITH TINNED END.
 - WIRE CROSS-SECTION: Ø1.10mm MAXIMUM, WITH INSULATION OD Ø2.40mm MAXIMUM.
 - WIRE RANGE:
 - 18 AWG SOLID.
 - 24-20 AWG SOLID & STRANDED WITH TINNED END.
- REFER TO PRODUCT SPEC S6222C AND APPLICATION SPEC S6236C FOR MORE DETAILS.



| | | | |
|----------------------------|------------------------|-----------|----------|
| UNLESS SPECIFIED OTHERWISE | DRAWN | C. ZHANG | MAY05/22 |
| PRIMARY UNITS MILLIMETRES | CHECKED | | |
| SECONDARY INCHES | M.E. APP'D | | |
| REFERENCE IN PARENTHESES | Q.A. APP'D | | |
| GENERAL TOLERANCES | DWG APPR. | C. ZHANG | SEP07/22 |
| 1 DECIMAL PLACE ±0.30 | ENG. REL. NO. | EAR 15077 | |
| 2 DECIMAL PLACES ±0.10 | REF. | | |
| 3 DECIMAL PLACES | THIRD ANGLE PROJECTION | | |
| ANGULAR DEGREES | DO NOT SCALE DRAWING | | |

Amphenol Canada Corp.
Commercial Products

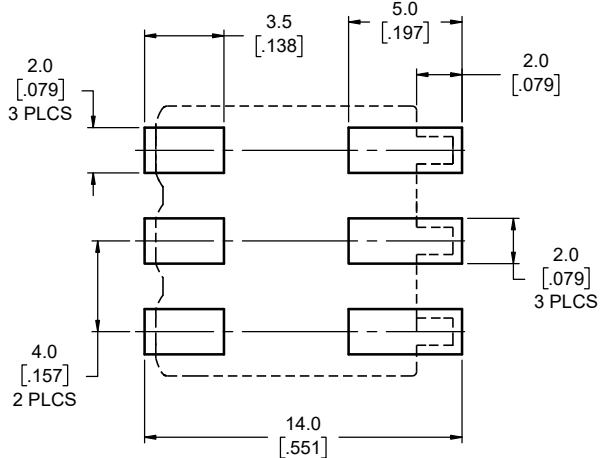
FLT SERIES, SMD
TERMINAL BLOCK - 3 POLES
RoHS COMPLIANT

DWG. NO. **P-FLT-S32WR-00** REV **E**

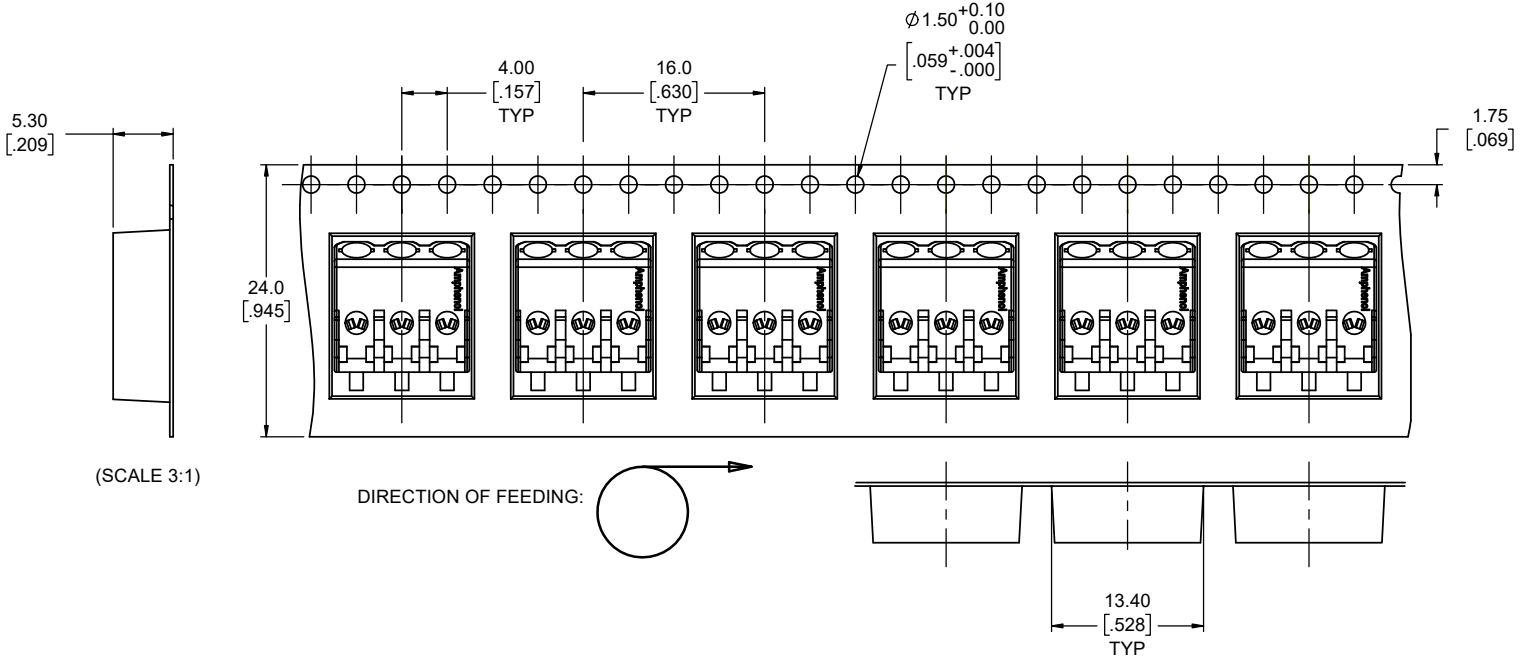
CODE ID NO. 03554 DWG SIZE: X SCALE: 6:1 SHEET 1 OF 2

| REVISIONS | | | |
|-----------|---------------------------|----------|-------|
| REV | DESCRIPTION, ECN, EAR NO. | DATE | APP'D |
| D | PRODUCT DWG - EAR 15077 | APR05/23 | C.Z. |
| E | PRODUCT DWG - EAR 15077 | JUN08/23 | C.Z. |

PCB LAYOUT:



PACKAGING:



| | | | |
|----------------------------|------------------------|-----------|----------------------|
| UNLESS SPECIFIED OTHERWISE | DRAWN | C. ZHANG | MAY05/22 |
| PRIMARY UNITS MILLIMETRES | CHECKED | | |
| SECONDARY INCHES | M.E. APP'D | | |
| REFERENCE IN PARENTHESES | Q.A. APP'D | | |
| GENERAL TOLERANCES | DWG APPR. | C. ZHANG | SEP07/22 |
| 1 DECIMAL PLACE ±0.30 | ENG. REL. NO. | EAR 15077 | |
| 2 DECIMAL PLACES ±0.10 | REF. | | |
| 3 DECIMAL PLACES | THIRD ANGLE PROJECTION | | DO NOT SCALE DRAWING |
| ANGULAR DEGREES | | | |

Amphenol Canada Corp.
Commercial Products

FLT SERIES, SMD
TERMINAL BLOCK - 3 POLES
RoHS COMPLIANT

DWG. NO. **P-FLT-S32WR-00** REV **E**

CODE ID NO. 03554 DWG SIZE: X SCALE: 6:1 SHEET 2 OF 2

THIS DOCUMENT CONTAINS PROPRIETARY INFORMATION AND SUCH INFORMATION MAY NOT BE DISCLOSED TO OTHERS FOR ANY PURPOSE OR USED FOR MANUFACTURING PURPOSES WITHOUT WRITTEN PERMISSION FROM AMPHENOL CANADA CORP.