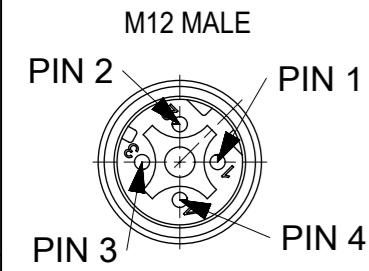


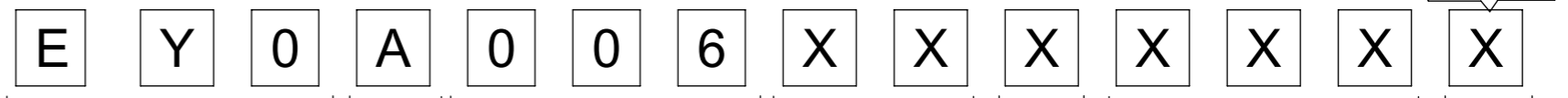
# 4 POLE D-CODE



PIN	WIRE COLOR
1	OR
2	GN
3	OR/WH
4	GN/WH

CODING ACCORDING TO IEC 61076-2-101

## PART No MATRIX



EY0 = ETHERNET ULTRA LOCK 2.0 4 POLE D-CODE SINGLE ENDED

WIRING: A = 4 POLE STRAIGHT WIRED

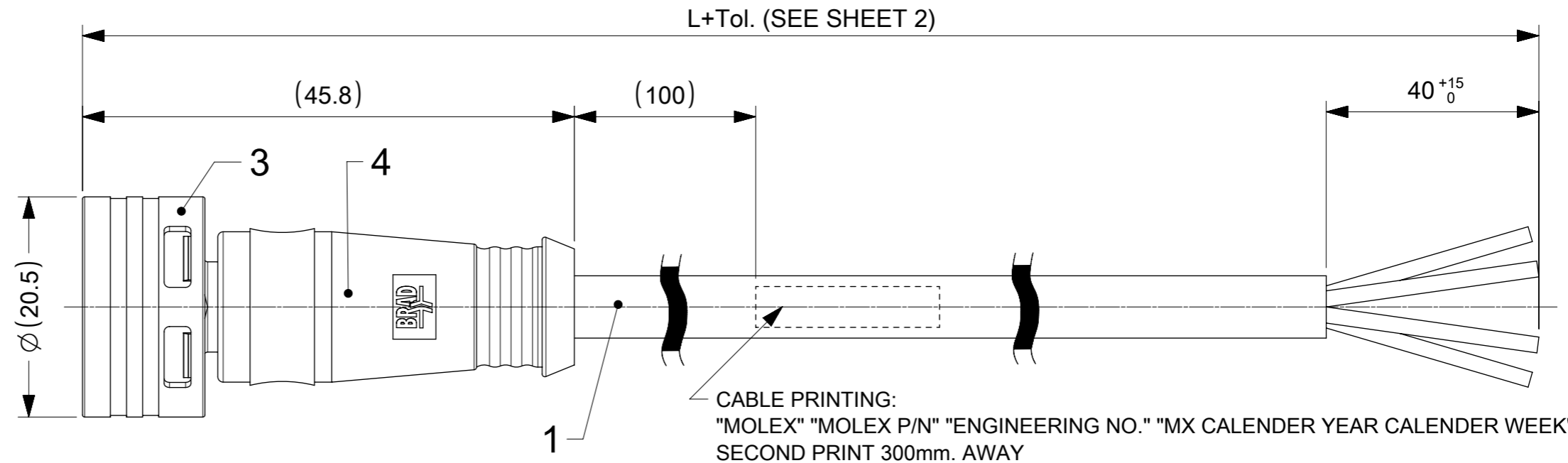
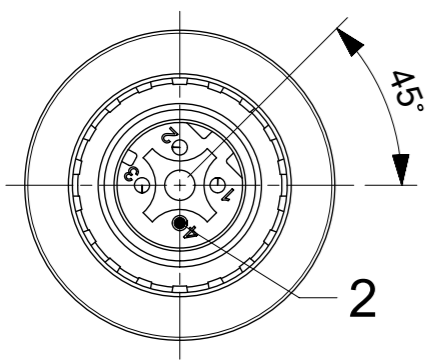
HEADER: 006= MALE STR

CABLE: 04 - ETHERNET CAT-5E 2x2x24AWG TPE TEAL

UNIT: M = METER F = FEET C = CENTIMETER T = 10M

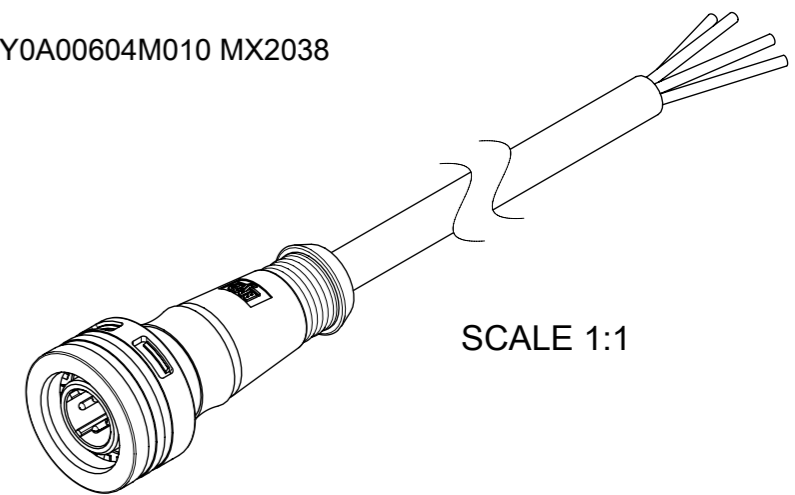
LENGTH: EXAMPLE: 010 = 1 m 050 = 5 m 100 = 10 m

OVERMOLD: BLANK = STANDARD BRAD: -YELLOW IN THE USA -BLACK IN EUROPE  
A = GREY  
E = RED  
G = BLACK  
Y = YELLOW  
H = STD. COLOUR WITH TWO ID-TAG CARRIERS



CABLE PRINTING: "MOLEX" "MOLEX P/N" "ENGINEERING NO." "MX CALENDER YEAR CALENDER WEEK" SECOND PRINT 300mm. AWAY

FOR EXAMPLE: MOLEX 1204060016 EY0A00604M010 MX2038



### NOTES:

- PARTS ACC. TO PRODUCT SPECIFICATION 1204000001 PS P10 AND IN STYLE OF IEC-61076-2-010
- BOM & PART LIST - SEE SHEET 2
- ELECTRICAL DATA: ACCORDING TO CAT5e ETHERNET STANDARD  
RATED VOLTAGE: 60V DC  
RATED CURRENT: 1.5A, DERATING HAS TO BE CONSIDERED  
OVERVOLTAGE CATEGORY: 3  
POLLUTION DEGREE: 3, ONLY IN MATED AND LOCKED CONDITION
- PROTECTION CLASS: IP 67, ONLY IN MATED AND LOCKED CONDITION
- TEMPERATURE RANGE:  
TEMPERATURE PLUG/SOCKET: -40 °C TO +85 °C  
TEMPERATURE CABLE: SEE CABLE LIST
- MECHANICAL OPERATIONS: 100 CYCLES
- MATES WITH ULTRA-LOCK M12 FEMALE RECEPTACLES
- PACKAGING: THE CORDSETS ARE SINGLE PACKED IN PLASTIC BAGS AND DELIVERED IN CARTON BOXES
- UL CSA FILE REGISTRATION PENDING

FUNCTIONAL SYMBOLS	THIS DRAWING CONTAINS INFORMATION THAT IS PROPRIETARY TO MOLEX ELECTRONIC TECHNOLOGIES, LLC AND SHOULD NOT BE USED WITHOUT WRITTEN PERMISSION		CURRENT REV DESC: NOTES AND CABLE LIST UPDATED		
	FUNCTIONAL DIMENSION UNITS	SCALE	EC NO: 736602		
	mm	2:1	DRWN: RSCHIEBER 2023/01/25		
	GENERAL TOLERANCES (UNLESS SPECIFIED)		CHK'D: RSILLER 2023/01/31		
DIVISIONAL SYMBOLS	ANGULAR TOL ± 1.0 °		APPR: RSILLER 2023/01/31		PRODUCT CUSTOMER DRAWING DOCUMENT NUMBER: 1204060016 DOC TYPE: PSD DOC PART: 000 REVISION: A1
	4 PLACES	±	INITIAL REVISION:		
	3 PLACES	±	DRWN: JELIZAINCIN 2021/04/20		
	2 PLACES	± 0.05	APPR: RSILLER 2022/10/14		
1 PLACE	± 0.3	DRAFT WHERE APPLICABLE MUST REMAIN WITHIN DIMENSIONS		MATERIAL NUMBER: SEE SHEET 2 CUSTOMER: GENERAL MARKET SHEET NUMBER: 1 OF 2	
0 PLACES	± 0.5	THIRD ANGLE PROJECTION	DRAWING: A3-SIZE		SERIES: 120406

