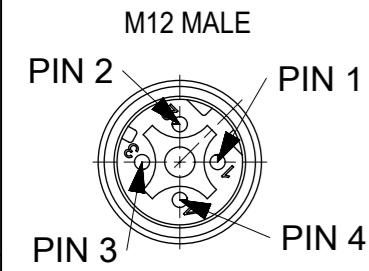


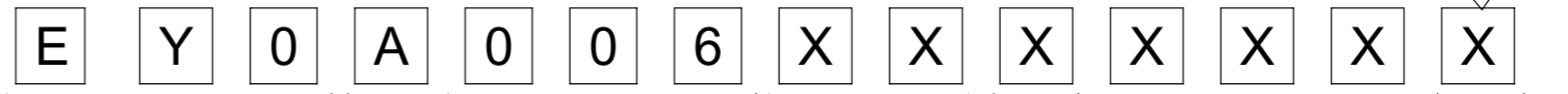
4 POLE D-CODE



PIN	WIRE COLOR
1	OR
2	GN
3	OR/WH
4	GN/WH

CODING ACCORDING TO IEC 61076-2-101

PART No MATRIX



EY0 = ETHERNET ULTRA LOCK 2.0 4 POLE D-CODE SINGLE ENDED

WIRING: A = 4 POLE STRAIGHT WIRED

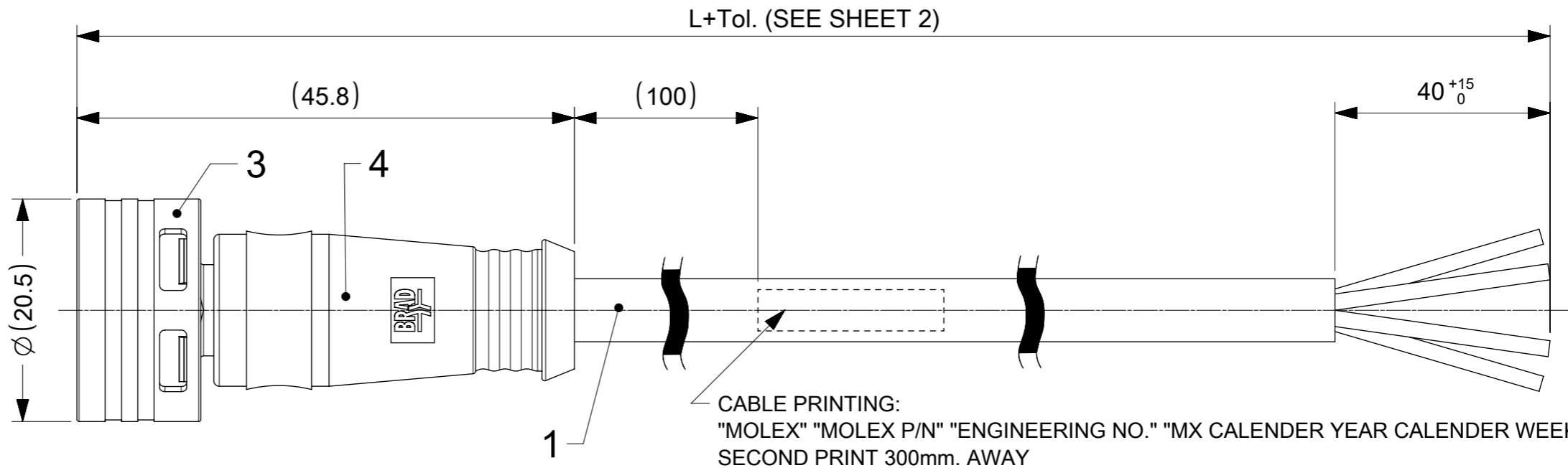
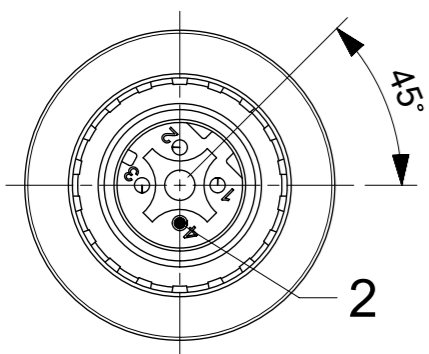
HEADER: 006= MALE STR

CABLE: 04 - ETHERNET CAT-5E 2x2x24AWG TPE TEAL

UNIT: M = METER F = FEET C = CENTIMETER T = 10M

LENGTH: EXAMPLE: 010 = 1 m 050 = 5 m 100 = 10 m

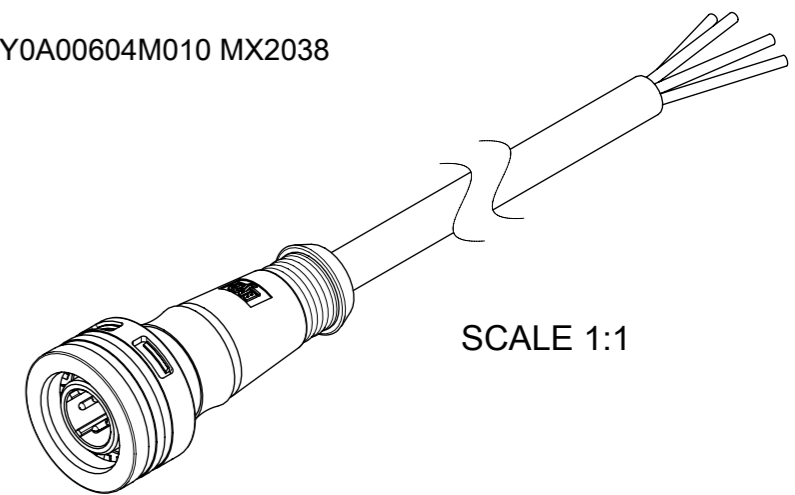
OVERMOLD: BLANK = STANDARD BRAD: -YELLOW IN THE USA -BLACK IN EUROPE
A = GREY
E = RED
G = BLACK
Y = YELLOW
H = STD. COLOUR WITH TWO ID-TAG CARRIERS



FOR EXAMPLE: MOLEX 1204060016 EY0A00604M010 MX2038

NOTES:

- PARTS ACC. TO PRODUCT SPECIFICATION 1204000001 PS P10 AND IN STYLE OF IEC-61076-2-010
- BOM & PART LIST - SEE SHEET 2
- ELECTRICAL DATA: ACCORDING TO CAT5e ETHERNET STANDARD
RATED VOLTAGE: 60V DC
RATED CURRENT: 1.5A, DERATING HAS TO BE CONSIDERED
OVERVOLTAGE CATEGORY: 3
POLLUTION DEGREE: 3, ONLY IN MATED AND LOCKED CONDITION
- PROTECTION CLASS: IP 67, ONLY IN MATED AND LOCKED CONDITION
- TEMPERATURE RANGE:
TEMPERATURE PLUG/SOCKET: -40 °C TO +85 °C
TEMPERATURE CABLE: SEE CABLE LIST
- MECHANICAL OPERATIONS: 100 CYCLES
- MATES WITH ULTRA-LOCK M12 FEMALE RECEPTACLES
- PACKAGING: THE CORDSETS ARE SINGLE PACKED IN PLASTIC BAGS AND DELIVERED IN CARTON BOXES
- UL CSA FILE REGISTRATION PENDING



FUNCTIONAL SYMBOLS	THIS DRAWING CONTAINS INFORMATION THAT IS PROPRIETARY TO MOLEX ELECTRONIC TECHNOLOGIES, LLC AND SHOULD NOT BE USED WITHOUT WRITTEN PERMISSION		CURRENT REV DESC: NOTES AND CABLE LIST UPDATED		molex	
	FUNCTIONAL DIMENSION UNITS	SCALE				
△/A = 0	mm	2:1	EC NO: 736602		CSE U12ET 4P DC MA STR TPE XM SE UNSH TE	
△/E = 0	GENERAL TOLERANCES (UNLESS SPECIFIED)		DRWN: RSCHIEBER 2023/01/25		PRODUCT CUSTOMER DRAWING	
△/V = 0	ANGULAR TOL ± 1.0 °		CHK'D: RSILLER 2023/01/31		DOCUMENT NUMBER	
DIVISIONAL SYMBOLS	4 PLACES	±	APPR: RSILLER 2023/01/31		DOC TYPE DOC PART REVISION	
	3 PLACES	±	INITIAL REVISION:		1204060016	
	2 PLACES	± 0.05	DRWN: JELIZAINCIN 2021/04/20		PSD 000 A1	
	1 PLACE	± 0.3	APPR: RSILLER 2022/10/14		SHEET NUMBER	
	0 PLACES	± 0.5	DRAFT WHERE APPLICABLE MUST REMAIN WITHIN DIMENSIONS		1 OF 2	
	THIRD ANGLE PROJECTION		DRAWING	SERIES	MATERIAL NUMBER	CUSTOMER
	A3-SIZE		120406	SEE SHEET 2	GENERAL MARKET	

