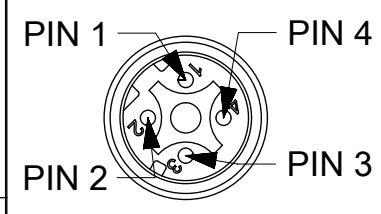


4 POLE D-CODE

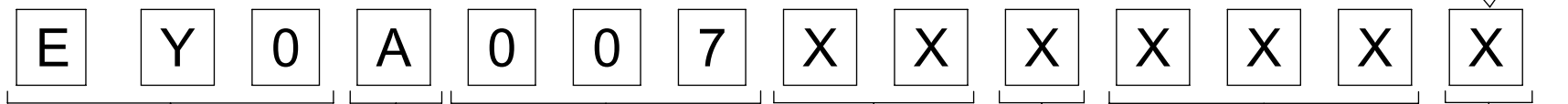
M12 MALE



PIN	WIRE COLOR
1	OR
2	GN
3	OR/WH
4	GN/WH

CODING ACCORDING TO IEC 61076-2-101

PART No MATRIX



EY0 = ETHERNET
ULTRA LOCK 2.0
4 POLE D-CODE
SINGLE ENDED

WIRING:
A = 4 POLE
STRAIGHT
WIRED

HEADER:
007= MALE RA

CABLE:
04 - ETHERNET CAT-5E
2x2x24AWG TPE TEAL

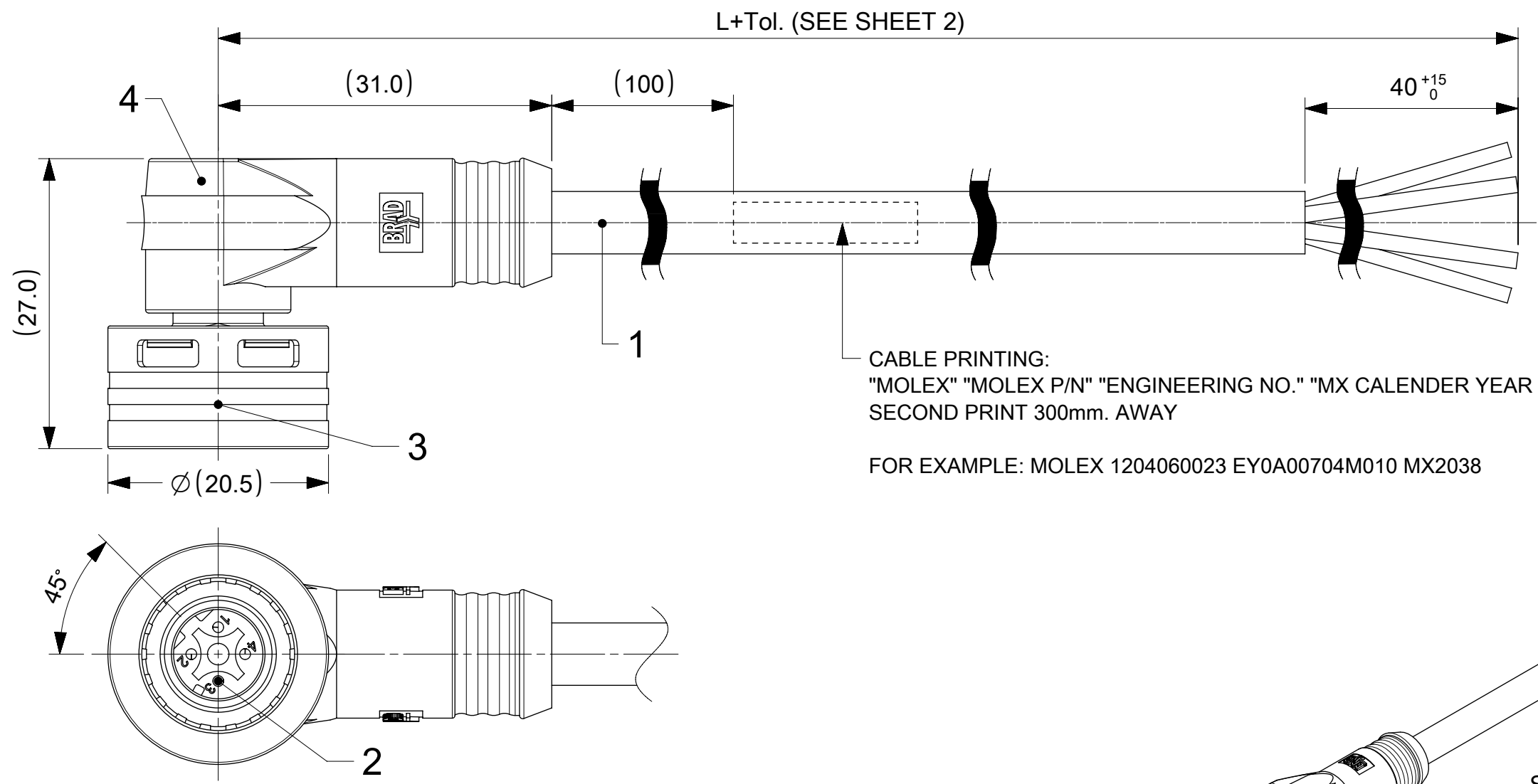
UNIT:
M = METER
F = FEET
C = CENTIMETER
T = 10M

LENGTH:
EXAMPLE:
010 = 1 m
050 = 5 m
100 = 10 m

OPTIONS

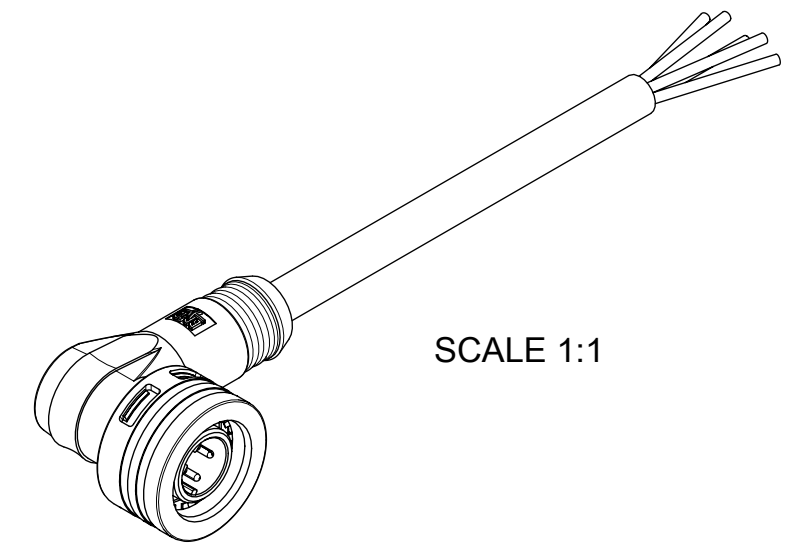
OVERMOLD:
BLANK = STANDARD BRAD:
-YELLOW IN THE USA
-BLACK IN EUROPE

A = GREY
E = RED
G = BLACK
Y = YELLOW
H = STD. COLOUR WITH TWO
ID-TAG CARRIERS



CABLE PRINTING:
"MOLEX" "MOLEX P/N" "ENGINEERING NO." "MX CALENDER YEAR CALENDER WEEK"
SECOND PRINT 300mm. AWAY

FOR EXAMPLE: MOLEX 1204060023 EY0A00704M010 MX2038



NOTES:

- PARTS ACC. TO PRODUCT SPECIFICATION 1204000001 PS P10 AND IN STYLE OF IEC-61076-2-010
- BOM & PART LIST - SEE SHEET 2
- ELECTRICAL DATA: ACCORDING TO CAT5e ETHERNET STANDARD
RATED VOLTAGE: 60V DC
RATED CURRENT: 1.5A, DERATING HAS TO BE CONSIDERED
OVERVOLTAGE CATEGORY: 3
POLLUTION DEGREE: 3, ONLY IN MATED AND LOCKED CONDITION
- PROTECTION CLASS: IP 67, ONLY IN MATED AND LOCKED CONDITION
- TEMPERATURE RANGE:
TEMPERATURE PLUG/SOCKET: -40 °C TO +85 °C
TEMPERATURE CABLE: SEE CABLE LIST
- MECHANICAL OPERATIONS: 100 CYCLES
- MATES WITH ULTRA-LOCK M12 FEMALE RECEPTACLES
- PACKAGING: THE CORDSETS ARE SINGLE PACKED IN PLASTIC BAGS AND DELIVERED IN CARTON BOXES
- UL CSA FILE REGISTRATION PENDING

FUNCTIONAL SYMBOLS	THIS DRAWING CONTAINS INFORMATION THAT IS PROPRIETARY TO MOLEX ELECTRONIC TECHNOLOGIES, LLC AND SHOULD NOT BE USED WITHOUT WRITTEN PERMISSION		CURRENT REV DESC: NOTES AND CABLE LIST		
	$\nabla_A = 0$ $\nabla_E = 0$ $\nabla_V = 0$	DIMENSION UNITS: mm SCALE: 2:1	GENERAL TOLERANCES (UNLESS SPECIFIED) ANGULAR TOL ± 1.0° 4 PLACES ± 3 PLACES ± 2 PLACES ± 0.05 1 PLACE ± 0.3 0 PLACES ± 0.5		
DIVISIONAL SYMBOLS	DRAFT WHERE APPLICABLE MUST REMAIN WITHIN DIMENSIONS		THIRD ANGLE PROJECTION	DRAWING: A3-SIZE SERIES: 120406	PRODUCT CUSTOMER DRAWING DOCUMENT NUMBER: 1204060023 DOC TYPE: PSD DOC PART: 000 REVISION: A1
MATERIAL NUMBER: SEE SHEET 2 CUSTOMER: GENERAL MARKET		SHEET NUMBER: 1 OF 2			

PART LIST		
MOLEX NO.	ENGINEERING NO.	LENGHT (MM)
1204060022	EY0A00704M006	600
1204060023	EY0A00704M010	1000
1204060024	EY0A00704M020	2000
1204060025	EY0A00704M050	5000
1204060026	EY0A00704M100	10000
1204060027	EY0A00704M250	25000
1204060028	EY0A00704M300	30000

MOLEX NO.	ENGINEERING NO.	LENGHT (MM)

MOLEX NO.	ENGINEERING NO.	LENGHT (MM)

CABLE LIST

4P	CABLE TYPE	DESCRIPTION	MATERIAL	FINISH/COLOR	FIXED INSTALLATION *		FLEXIBLE INSTALLATION **		DRAG CHAIN	
					MIN.	MAX.	MIN.	MAX.	MIN.	MAX.
X	04	CABLE ETHERNET CAT-5E TPE TEAL 2X2X24AWG D6.5	TPE	TEAL	-20°C	+75°C	-5°C	+75°C	-	-


* FIXED POSITION WITHOUT ACCIDENTAL CRUSHING OF VIBRATION.
 ** FREE MOTION WITHOUT PERIODIC RECURRENCE OR FORCED GUIDANCE.

CABLE LENGTH TOLERANCES	
LENGTH	TOLERANCE
0m-1m	+40 mm
>1m-5m	+60 mm
>5m-10m	+80 mm
>10m-20m	+140 mm
>20m-30m	+160 mm
>30m	+1% length

BILL OF MATERIAL:

4P	ITEM	QTY	DESCRIPTION	MATERIAL	FINISH/COLOR		
X	1	-	CABLE	SEE CABLE LIST	SEE CABLE LIST		
X	2	4	CONTACT 10 MA STA AU	COPPER ALLOY	GOLD OVER NICKEL PLATED		
X	3	1	PLG U12 4P DC MA PA UNSH WT	-	-		
X	4	1	OVERMOLD	TPC	SEE MATRIX		
IF "H" IS IN MATRIX-END			-	2	I/D CARRIER DIA 4-7MMX30MM	PVC	TRANSPARENT

DOCUMENT STATUS	P1	RELEASE DATE	2023/01/31 08:21:47
-----------------	----	--------------	---------------------

FUNCTIONAL SYMBOLS ▽/A=0 ▽/E=0 ▽/V=0	THIS DRAWING CONTAINS INFORMATION THAT IS PROPRIETARY TO MOLEX ELECTRONIC TECHNOLOGIES, LLC AND SHOULD NOT BE USED WITHOUT WRITTEN PERMISSION		CURRENT REV DESC: NOTES AND CABLE LIST UPDATED	
	DIMENSION UNITS	SCALE	EC NO: 736602	
	mm	1:1	DRWN: RSCHIEBER	2023/01/26
	GENERAL TOLERANCES (UNLESS SPECIFIED)		CHK'D: RSILLER	2023/01/31
ANGULAR TOL ± 1.0°		APPR: RSILLER	2023/01/31	
4 PLACES ±		INITIAL REVISION:		
3 PLACES ±		DRWN: JELIZAINCIN		
2 PLACES ± 0.05		APPR: RSILLER		DOCUMENT NUMBER: 1204060023 DOC TYPE: PSD DOC PART: 000 REVISION: A1
1 PLACE ± 0.3		SERIES: 120406		
0 PLACES ± 0.5		MATERIAL NUMBER: SEE PART LIST		
DRAFT WHERE APPLICABLE MUST REMAIN WITHIN DIMENSIONS		THIRD ANGLE PROJECTION	DRAWING: A3-SIZE	CUSTOMER: GENERAL MARKET
		SHEET NUMBER: 2 OF 2		