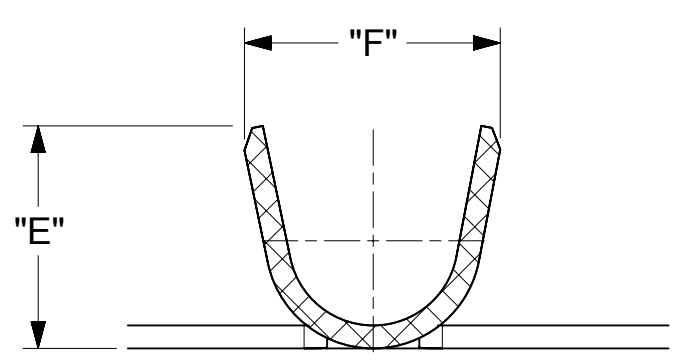
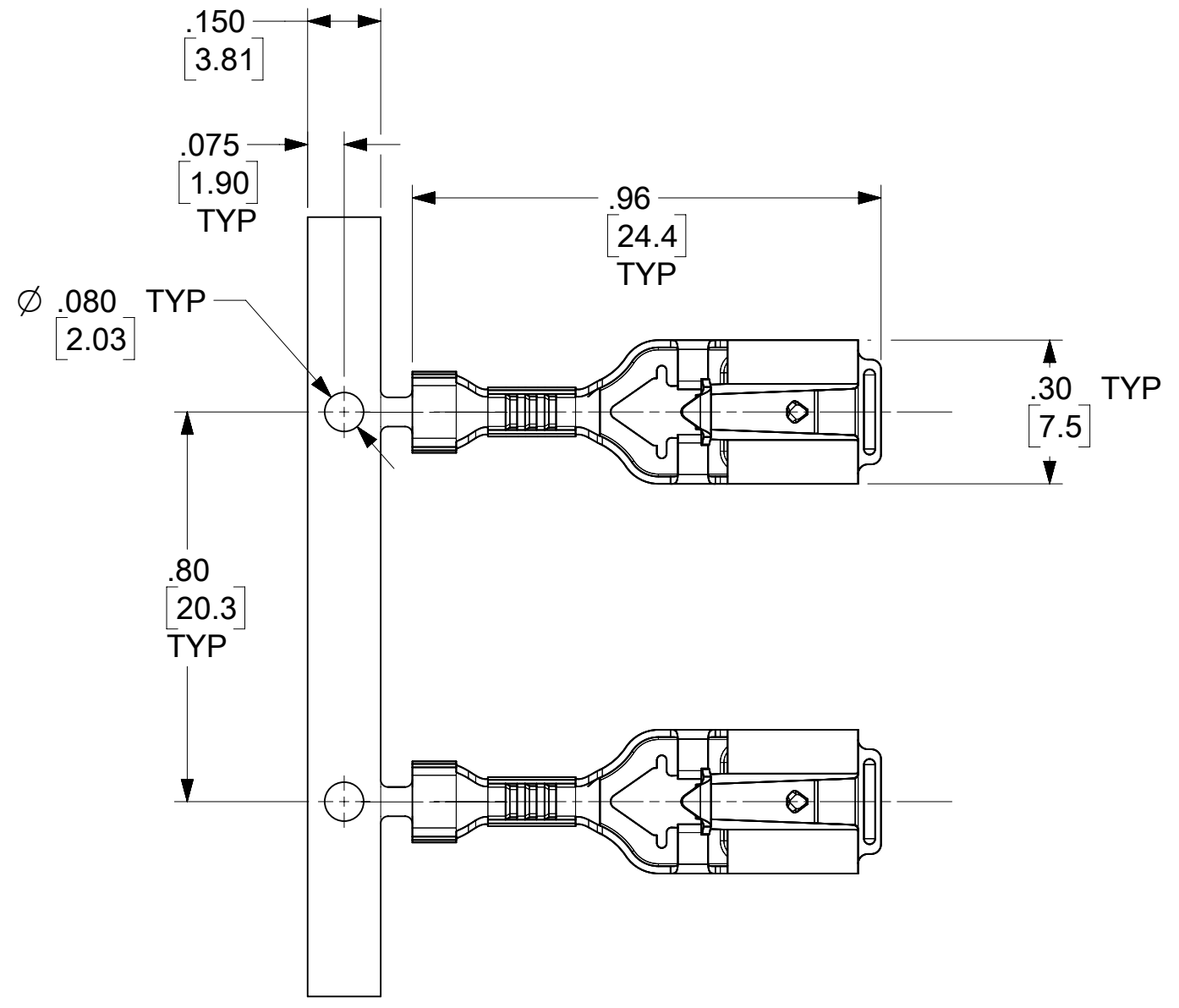
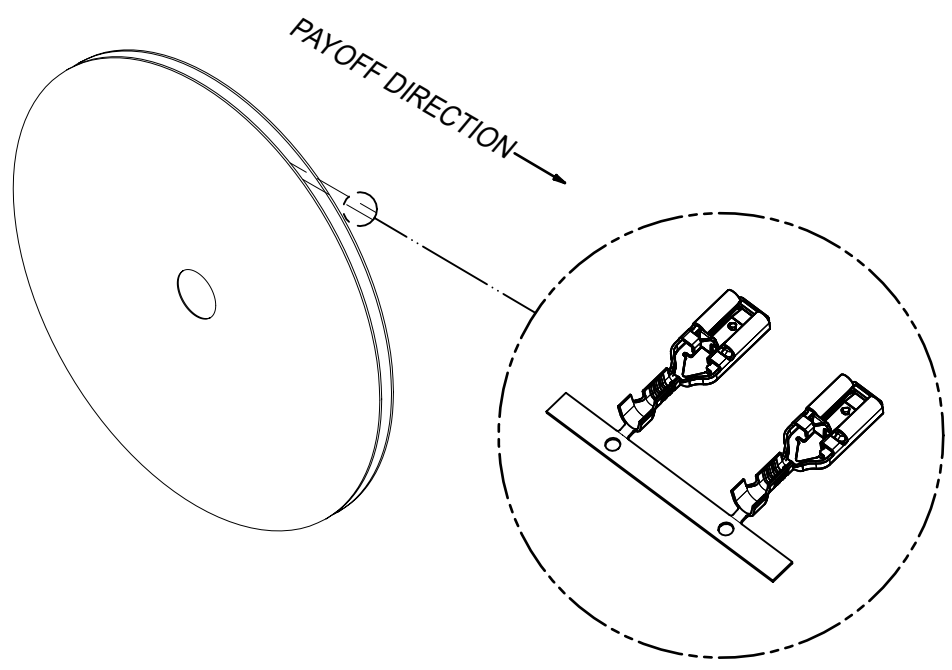
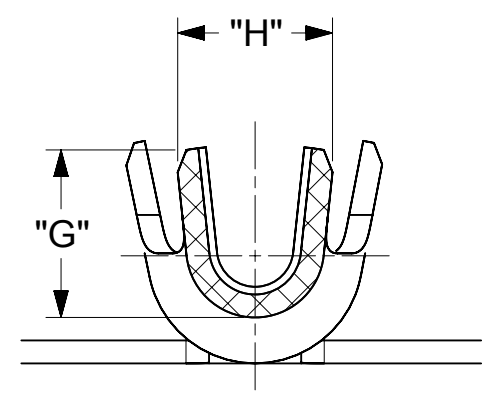


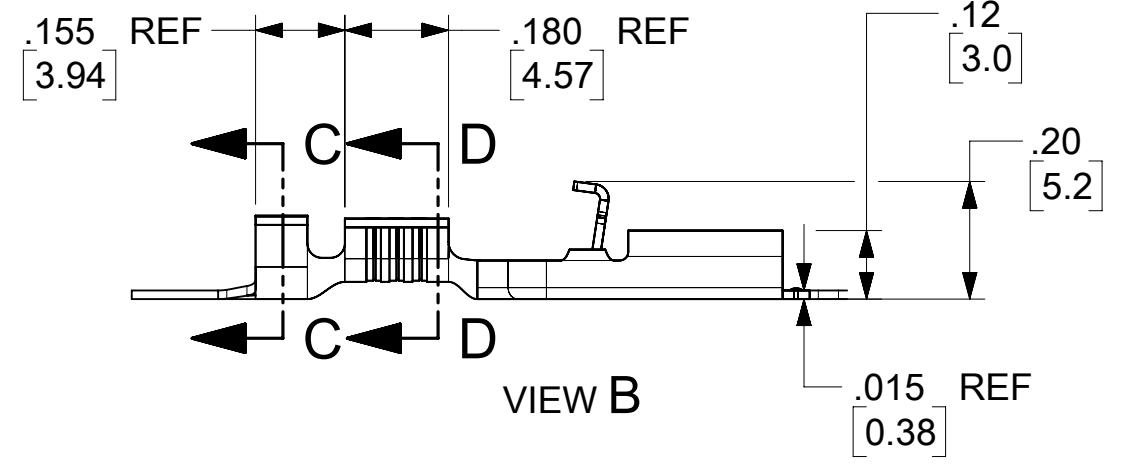
MAT'L NO. (STRIP)	ENG NO. (STRIP)	QTY PER REEL \triangle	ORDER QTY	MAT'L NO. (LOOSE)	ENG NO. (LOOSE)	QTY	WIRE SIZE (AWG)	REF DIM "E"	REF DIM "F"	REF DIM "G"	REF DIM "H"
194390001	AAZ-4150	2,000	6,000	194390002	AA-4150	2,000	20-18 (A3)	.145 (3.68)	.167 (4.24)	.110 (2.79)	.101 (2.57)
194390003	BBZ-4151	2,000	6,000	194390004	BB-4151	2,000	16-14	.185 (4.70)	.191 (4.85)	.146 (3.71)	.137 (3.48)
194390005	CZ-4152	1,500	4,500	194390006	C-4152	2,000	12-10	.260 (6.60)	.223 (5.66)	.224 (5.69)	.203 (5.16)



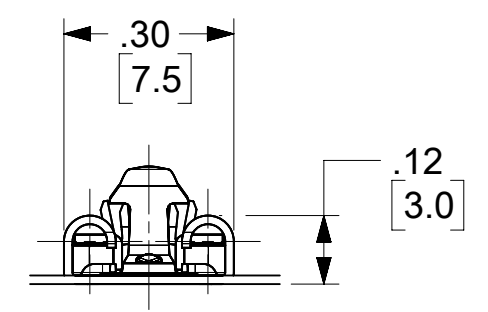
SECTION C-C
SCALE 8:1



SECTION D-D
SCALE 8:1



VIEW B



- NOTE(S):
- MATERIAL: COPPER ALLOY
STRIP THICKNESS (REF): .015 (0.38)
 - FINISH: MATTE TIN PLATED
 - TERMINALS FOR USE WITH HOUSING P/N's:
194390007 (NYLON RATED UL94V-2)
194390008 (NYLON RATED UL94V-0)
 - \triangle STRIP TERMINALS ARE REELED AS SHOWN ABOVE ON 24" REELS.
 - FOR APPLICATION TOOLING AND CRIMP SPEC'S SEE MOLEX.COM

FUNCTIONAL SYMBOLS	THIS DRAWING CONTAINS INFORMATION THAT IS PROPRIETARY TO MOLEX ELECTRONIC TECHNOLOGIES, LLC AND SHOULD NOT BE USED WITHOUT WRITTEN PERMISSION									
	DIMENSION UNITS		SCALE		CURRENT REV DESC: 194390001 WIRE SIZE WAS 22-18 AWG					
$\triangle_A = 0$	INCH/MM		3:1		<p>EC NO: 751389 DRWN: DEANM1 2023/05/30 CHK'D: JMACNEIL 2023/05/30 APPR: JMACNEIL 2023/05/30</p>					
$\triangle_C = 0$	GENERAL TOLERANCES (UNLESS SPECIFIED)									
$\triangle_P = 0$			MM	INCH	<p>INITIAL REVISION: DRWN: DMYRICK 2020/10/20 APPR: JMACNEIL 2023/03/10</p>					
DIVISIONAL SYMBOLS		4 PLACES	±	±						
		3 PLACES	±	± 0.01	<p>PRODUCT CUSTOMER DRAWING</p>					
		2 PLACES	± 0.25	± 0.02						
		1 PLACE	± 0.5	±	<p>DOCUMENT NUMBER: 194390002 DOC TYPE: PSD DOC PART: 000 REVISION: A3</p>					
		0 PLACES	±	±						
		ANGULAR TOL		± °	<p>MATERIAL NUMBER: SEE CHART CUSTOMER: [] SHEET NUMBER: 1 OF 1</p>					
		DRAFT WHERE APPLICABLE MUST REMAIN WITHIN DIMENSIONS								
		THIRD ANGLE PROJECTION		DRAWING: C-SIZE		SERIES: 19439				