

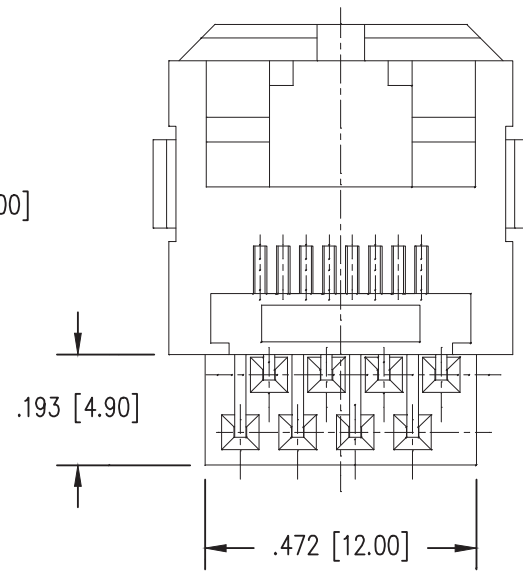
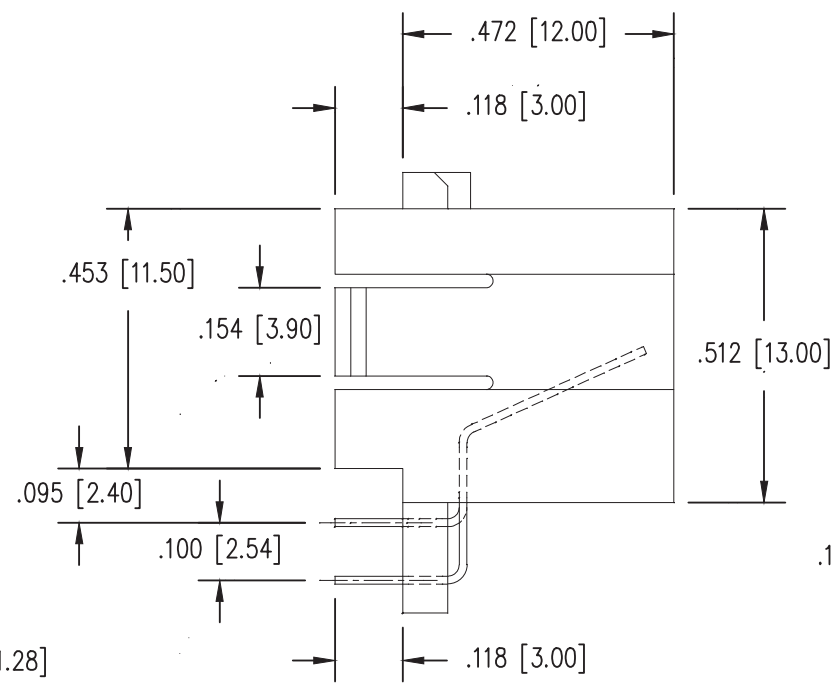
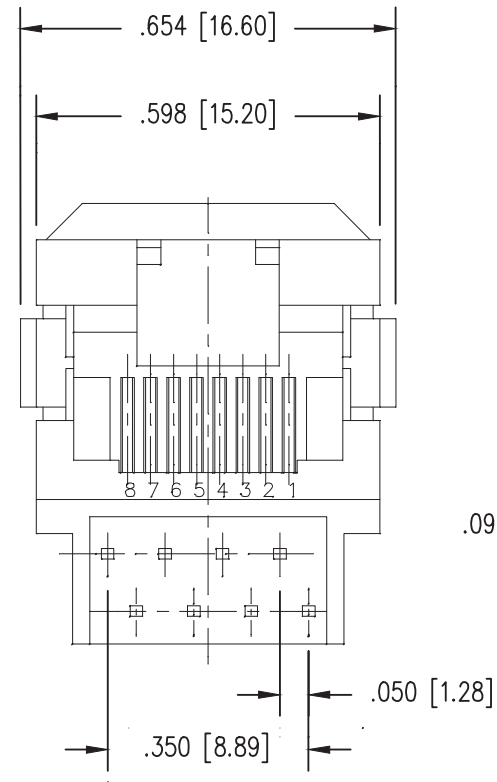
DATE	REV	ECN	APP'D. BY
---	A0	121XX	GL
---	---	---	---
---	---	---	---

B

B

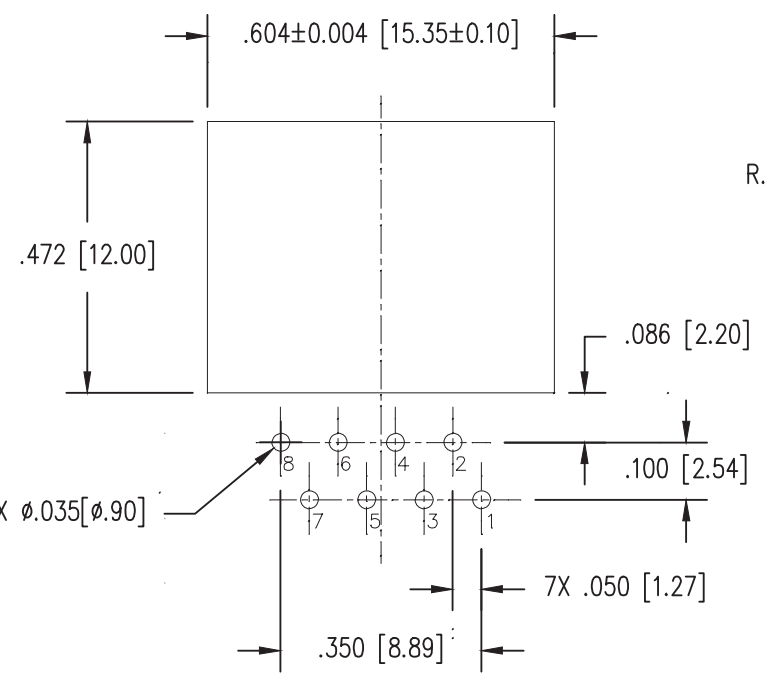
A

A

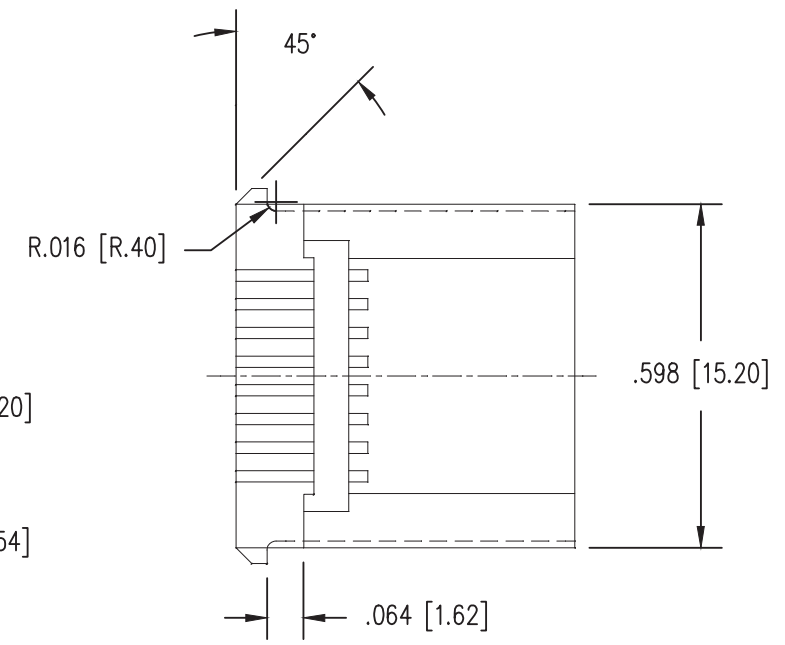


NOTES:

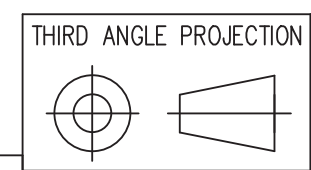
- MATERIAL:
HOUSING AND INSERT: ENGINEERING THERMOPLASTIC,
FLAMMABILITY RATING UL 94V-0
CONTACTS: COPPER ALLOY, THICKNESS = .014 [.35]
- FINISH:
CONTACT PLATING: 6uIN Au PLATING OVER NICKEL IN MATING AREA
TIN PLATING OVER NICKEL IN SOLDER AREA
- MECHANICAL CHARACTERISTICS:
INSERTION FORCE: 60N MAX
EXTRACTION FORCE: 0.1N MIN
MATING CYCLES: 1,000 CYCLES
- ELECTRICAL TESTING:
CONTACT RESISTANCE: 40 mΩ MAX
INSULATION RESISTANCE: MATED, 500 MΩ MIN AT 500V DC
DIELECTRIC WITHSTANDING VOLTAGE: 1,000V AC FOR 1-MINUTE,
0.5 mA MAX, NO BREAKDOWN
- ENVIRONMENTAL TESTING:
HUMIDITY: 96 HOURS AT 40±2°C AND 90~95% RELATIVE HUMIDITY
SALT SPRAY: 24 HOURS AT 35±2°C AND 5% CONCENTRATION



PCB Layout
(VIEWED FROM BOTTOM)



TOLERANCE TABLE (UNLESS OTHERWISE SPECIFIED)	
.XXX	±.004 [±.10]
.XX	±.010 [±.25]
.X	±.015 [±.38]
X	±.020 [±.50]



DO NOT SCALE DRAWING
DRAWING IS SUBJECT TO
CHANGE WITHOUT NOTICE

DIMENSIONS: INCHES [METRIC]

UNLESS OTHERWISE SPECIFIED
TOLERANCES SHOWN IN TABLE
ANGLES ARE ± 3°

SHEET NO. 1 OF 1



11118 Susquehanna Trail South
Glen Rock, PA 17327-9199
(717) 235-7512
<http://www.stewartconnector.com>

P/N		CONTACT PLATING	
SS-92000-001		6uIN AU	
TITLE: BOTTOM ENTRY VERTICAL JACK, 8P8C, UNSHIELDED			
DRN BY:	BR	DATE	04-03-23
APPD BY:	JE	DATE	04-XX-23
DWG NO.	CT920001	REV.	A0