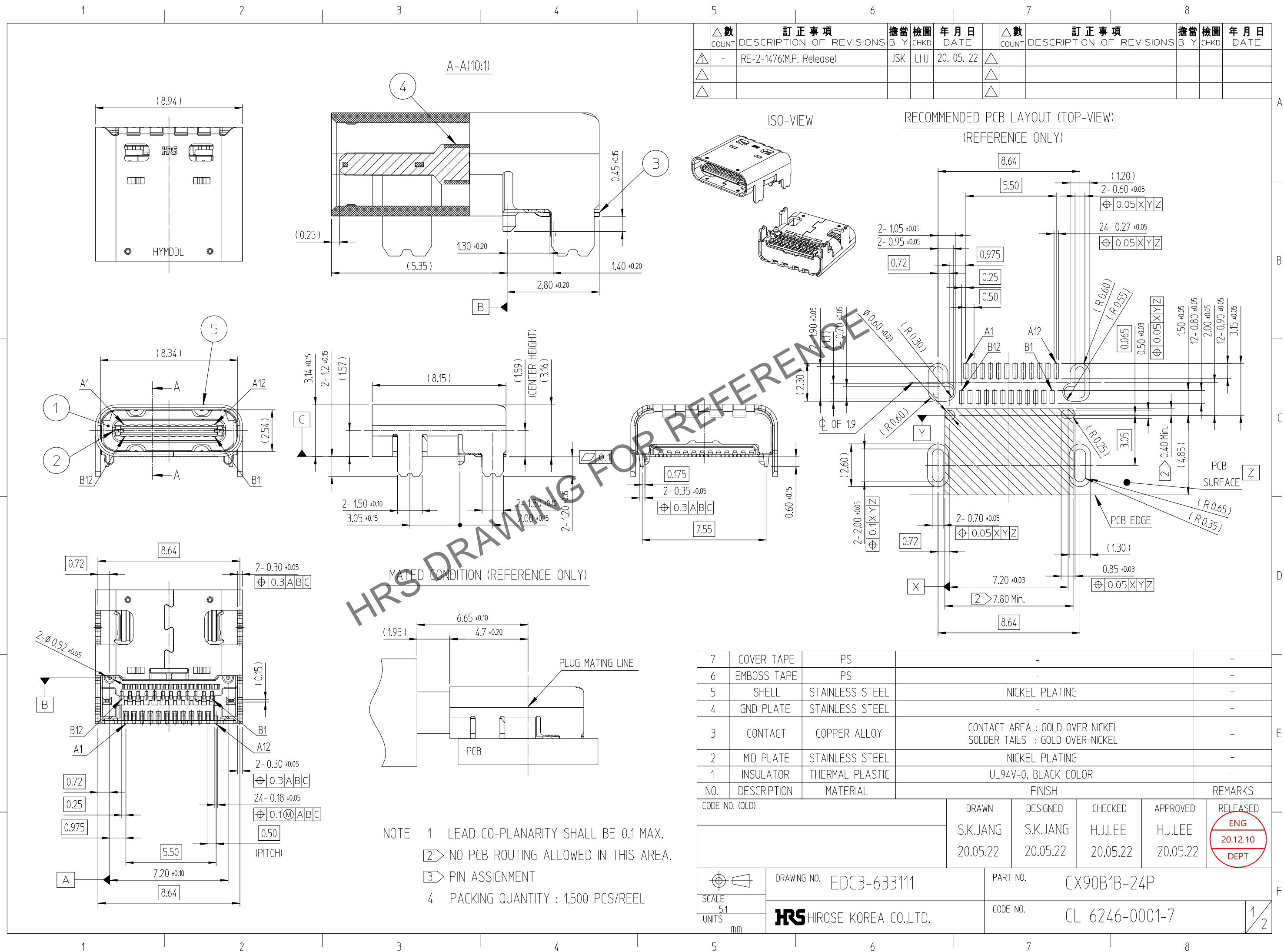


Jul.1.2023 Copyright 2023 HIROSE ELECTRIC CO., LTD. All Rights Reserved.
 In case of consideration for using Automotive equipment / device which demand high reliability, kindly contact our sales window correspondents.



△數	訂正事項	擔當	檢圖	年月日	△數	訂正事項	擔當	檢圖	年月日
COUNT	DESCRIPTION OF REVISIONS	B	CHKD	DATE	COUNT	DESCRIPTION OF REVISIONS	B	CHKD	DATE
△	-	JSK	LHJ	20.05.22	△				
△					△				
△					△				

NO.	DESCRIPTION	MATERIAL	FINISH	REMARKS
7	COVER TAPE	PS	-	-
6	EMBOSS TAPE	PS	-	-
5	SHELL	STAINLESS STEEL	NICKEL PLATING	-
4	GND PLATE	STAINLESS STEEL	-	-
3	CONTACT	COPPER ALLOY	CONTACT AREA : GOLD OVER NICKEL SOLDER TAILS : GOLD OVER NICKEL	-
2	MID PLATE	STAINLESS STEEL	NICKEL PLATING	-
1	INSULATOR	THERMAL PLASTIC	UL94V-0, BLACK COLOR	-

CODE NO. (OLD)	DRAWN	DESIGNED	CHECKED	APPROVED	RELEASED
	S.K.JANG	S.K.JANG	H.J.LEE	H.J.LEE	ENG 20.12.10 DEPT
	20.05.22	20.05.22	20.05.22	20.05.22	

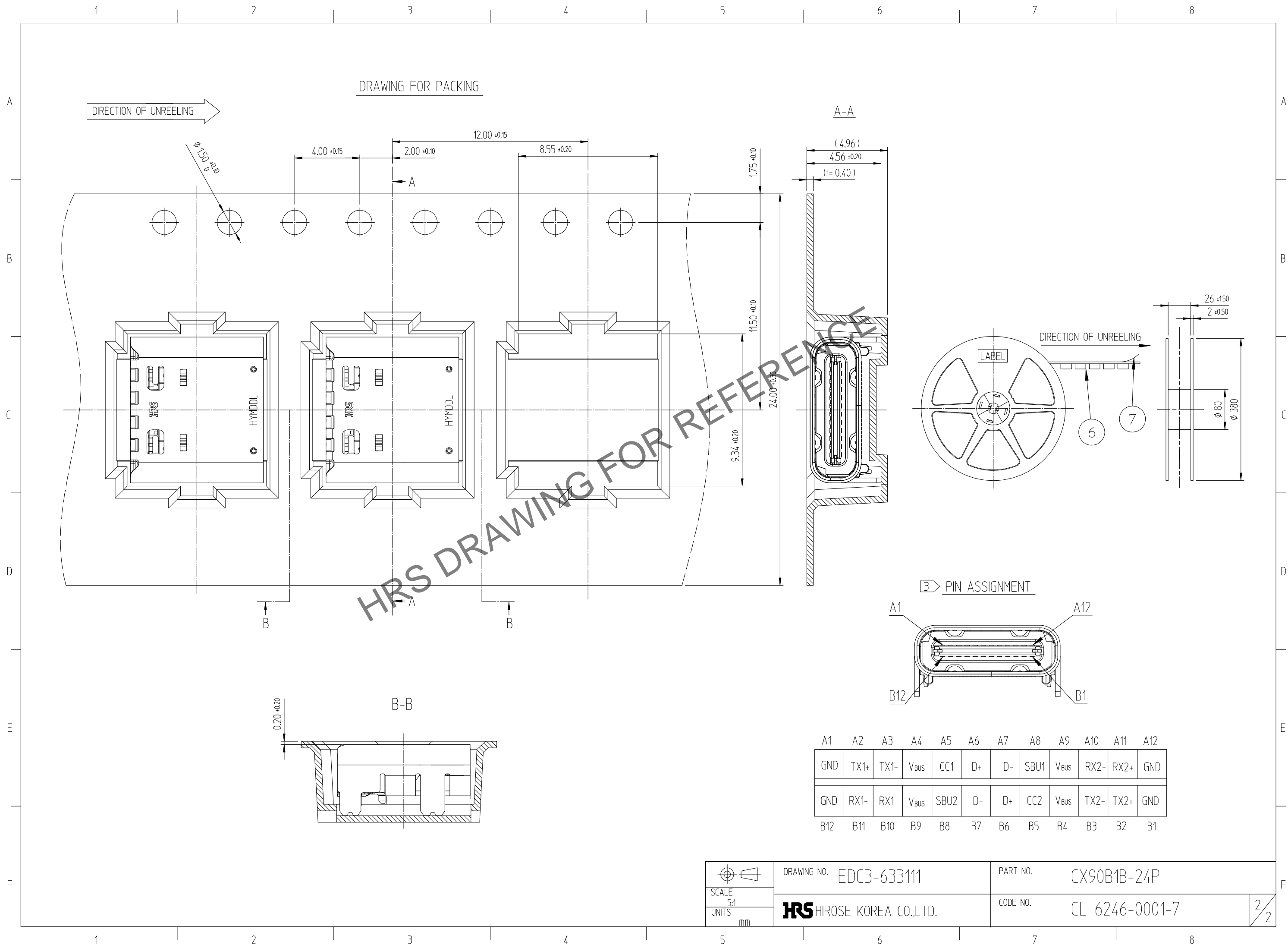
DRAWING NO.	PART NO.
EDC3-633111	CX90B1B-24P

SCALE	UNITS	CODE NO.
5:1	mm	CL 6246-0001-7

NOTE 1 LEAD CO-PLANARITY SHALL BE 0.1 MAX.
 2 NO PCB ROUTING ALLOWED IN THIS AREA.
 3 PIN ASSIGNMENT
 4 PACKING QUANTITY : 1,500 PCS/REEL

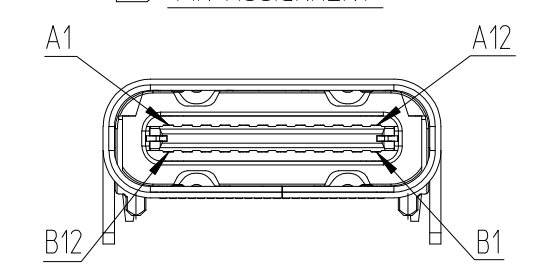
Jul.1.2023 Copyright 2023 HIROSE ELECTRIC CO., LTD. All Rights Reserved.
 In case of consideration for using Automotive equipment / device which demand high reliability, kindly contact our sales window correspondents.

DRAWING FOR PACKING



HRS DRAWING FOR REFERENCE

3 PIN ASSIGNMENT



A1	A2	A3	A4	A5	A6	A7	A8	A9	A10	A11	A12
GND	TX1+	TX1-	V _{BUS}	CC1	D+	D-	SBU1	V _{BUS}	RX2-	RX2+	GND
GND	RX1+	RX1-	V _{BUS}	SBU2	D-	D+	CC2	V _{BUS}	TX2-	TX2+	GND
B12	B11	B10	B9	B8	B7	B6	B5	B4	B3	B2	B1

 SCALE 5:1 UNITS mm	DRAWING NO. EDC3-633111	PART NO. CX90B1B-24P
	HIROSE KOREA CO.,LTD.	CODE NO. CL 6246-0001-7