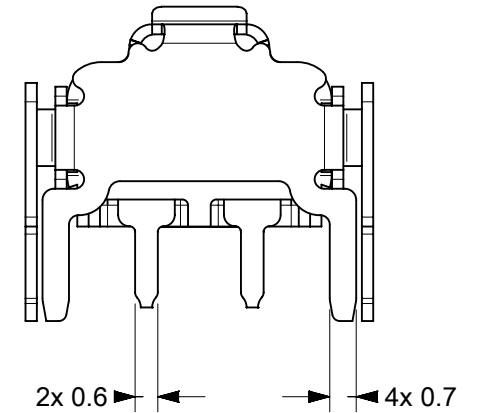
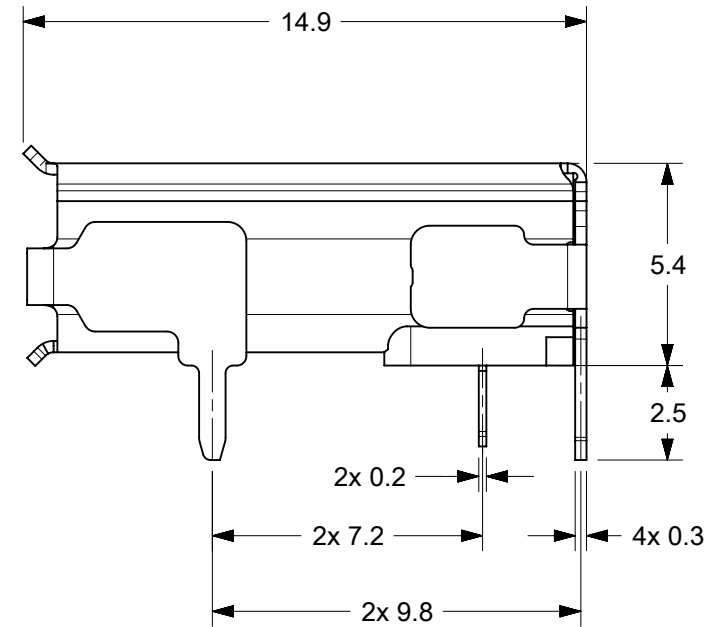
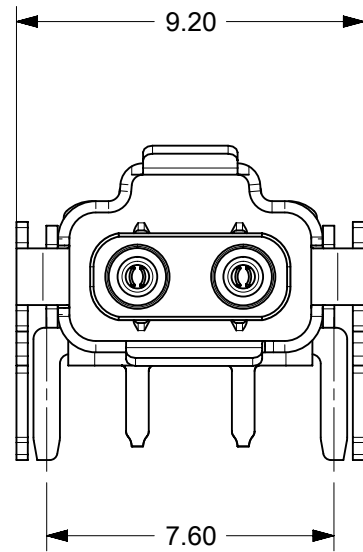
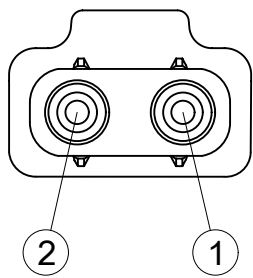
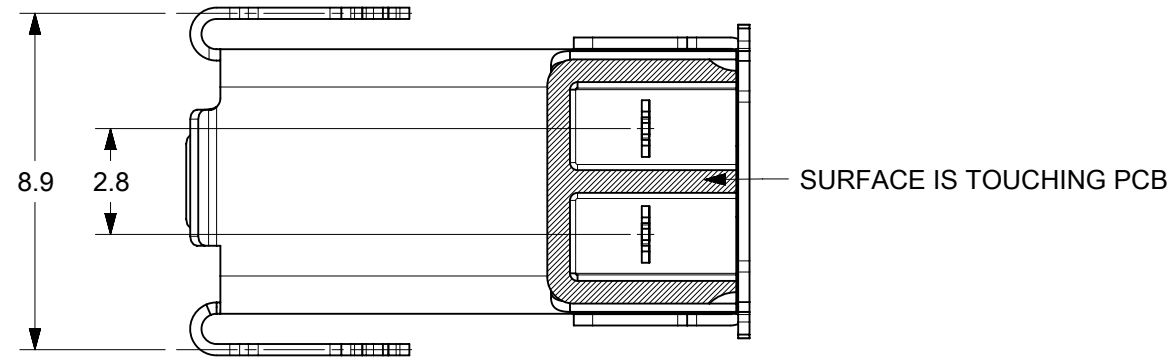
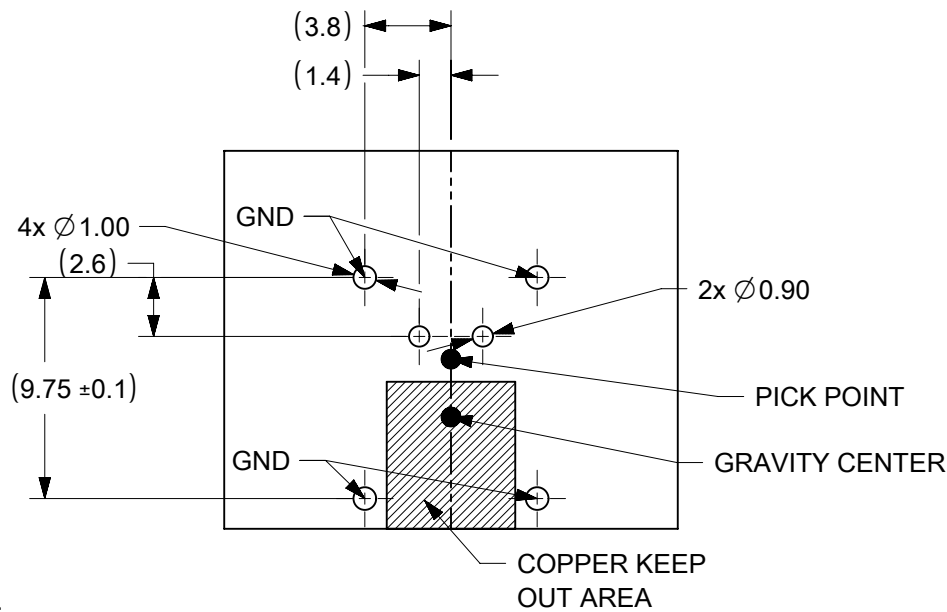


SPE FEMALE FRONT VIEW



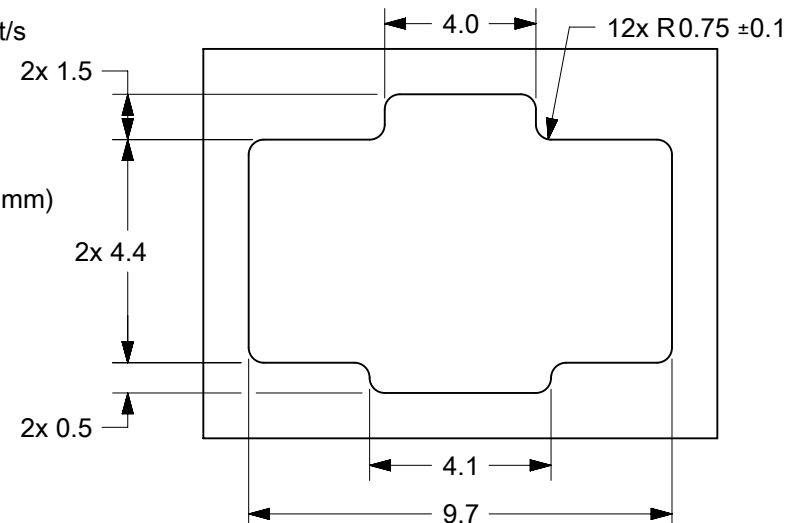
PCB LAYOUT TOP VIEW



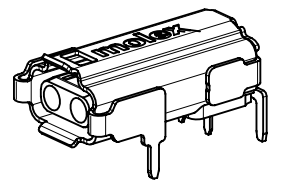
- NOTES:
- VOLTAGE: 60 V AC
 - CURRENT: 4 A AC
 - DATA RATE: 10 Mbit/s // 100 Mbit/s // 1 Gbit/s // 2,5Gbit/s // 5Gbit/s // 10Gbit/s
 - STATIC TEMPERATURE: -40 °C TO 80 °C
 - DYNAMIC TEMPERATURE: -25 °C TO 80 °C
 - MATING CYCLES: 1000
 - PROTECTION: IP20
 - PACKAGING IN 24 mm REEL WITH PITCH 16 mm (POCKET DEPTH 9,55 mm)
 - PACKAGING REEL HOLDS 400PCS (330 mm WHEEL)
 - DESIGNED ACC.

- IEC63171-6
- IEEE 802.3bu
- IEEE 802.3cg
- IEEE 802.3bw
- IEEE 802.3bp
- IEEE 802.3ch

PANEL CUTOUT

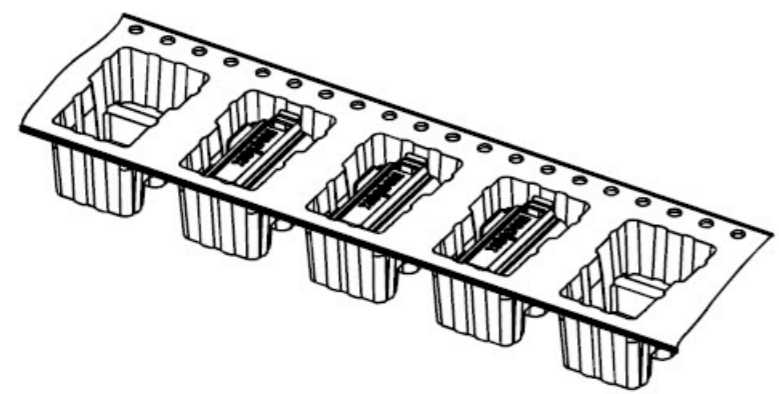


CONTACT	SIGNAL
1	BL_DA+
2	BL_DA-

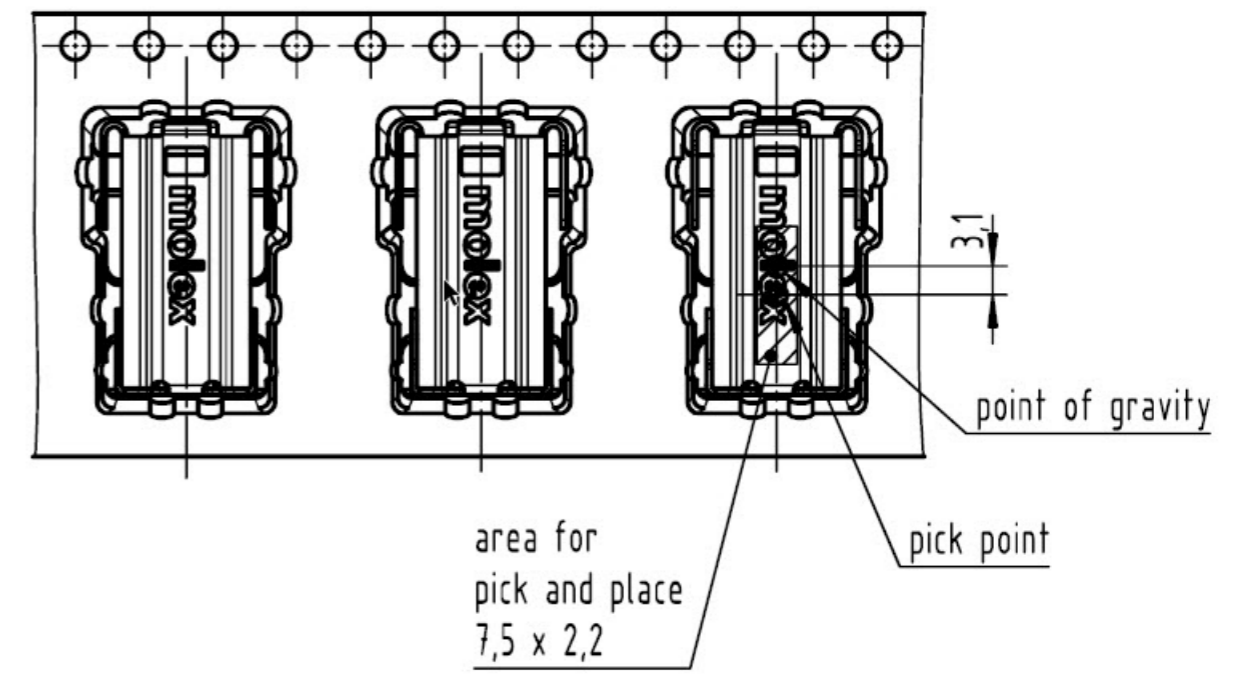
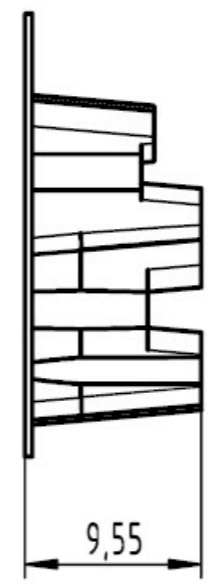


THIS DRAWING CONTAINS INFORMATION THAT IS PROPRIETARY TO MOLEX ELECTRONIC TECHNOLOGIES, LLC AND SHOULD NOT BE USED WITHOUT WRITTEN PERMISSION									
FUNCTIONAL SYMBOLS	DIMENSION UNITS	SCALE	CURRENT REV DESC: ADD PACKAGING INFORMATION						
$\nabla = 0$	mm	5:1	EC NO: 770582 DRWN: MBLOESER CHKD: RSILLER APPR: RSILLER INITIAL REVISION: DRWN: MBLOESER APPR: THAERDT						
$\nabla = 0$	GENERAL TOLERANCES (UNLESS SPECIFIED)								
$\nabla = 0$	ANGULAR TOL $\pm 1.0^\circ$								
DIVISIONAL SYMBOLS	4 PLACES	\pm	2023/12/01	2023/12/05	2023/12/05	PRODUCT CUSTOMER DRAWING		DOCUMENT NUMBER	DOC TYPE
	3 PLACES	\pm	2022/09/05	2022/11/02	2022/11/02	2209570001		PSD	000
	2 PLACES	± 0.05							REVISION
	1 PLACE	± 0.1							A1
	0 PLACES	± 0.2							SHEET NUMBER
DRAFT WHERE APPLICABLE MUST REMAIN WITHIN DIMENSIONS		THIRD ANGLE PROJECTION	DRAWING	SERIES	MATERIAL NUMBER	CUSTOMER	SHEET NUMBER		
			B-SIZE	220957	2209750001	GENERAL MARKET	1 OF 2		

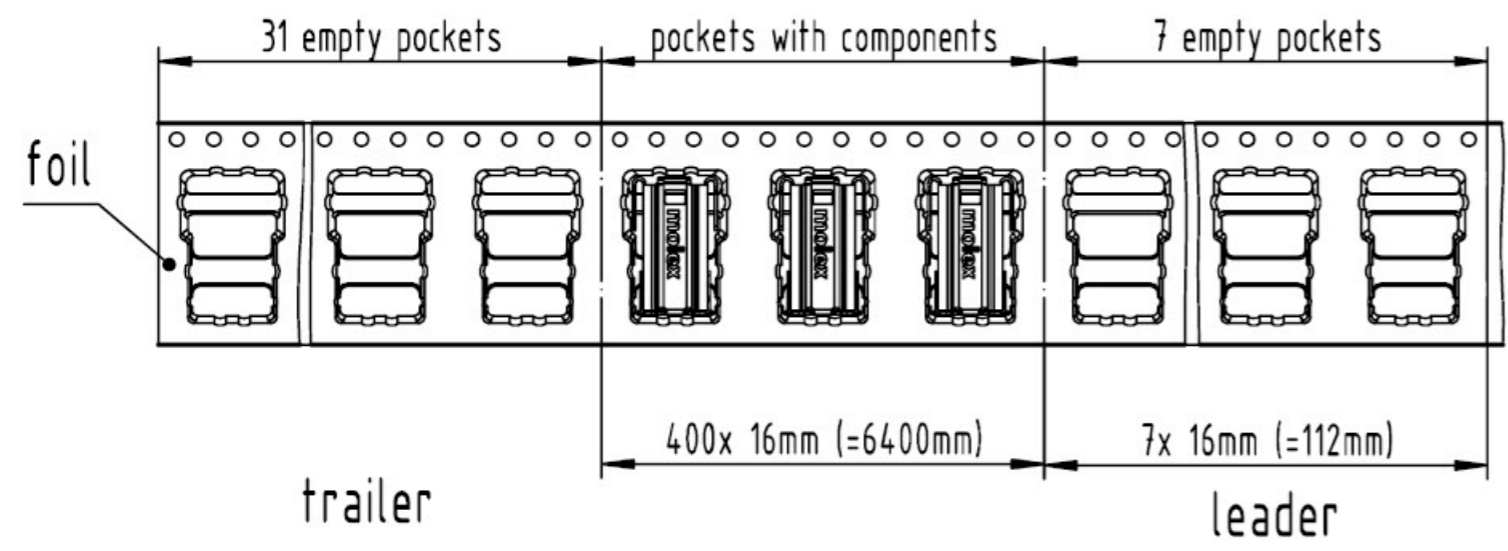
tape and reel acc. to DIN EN 60286-3



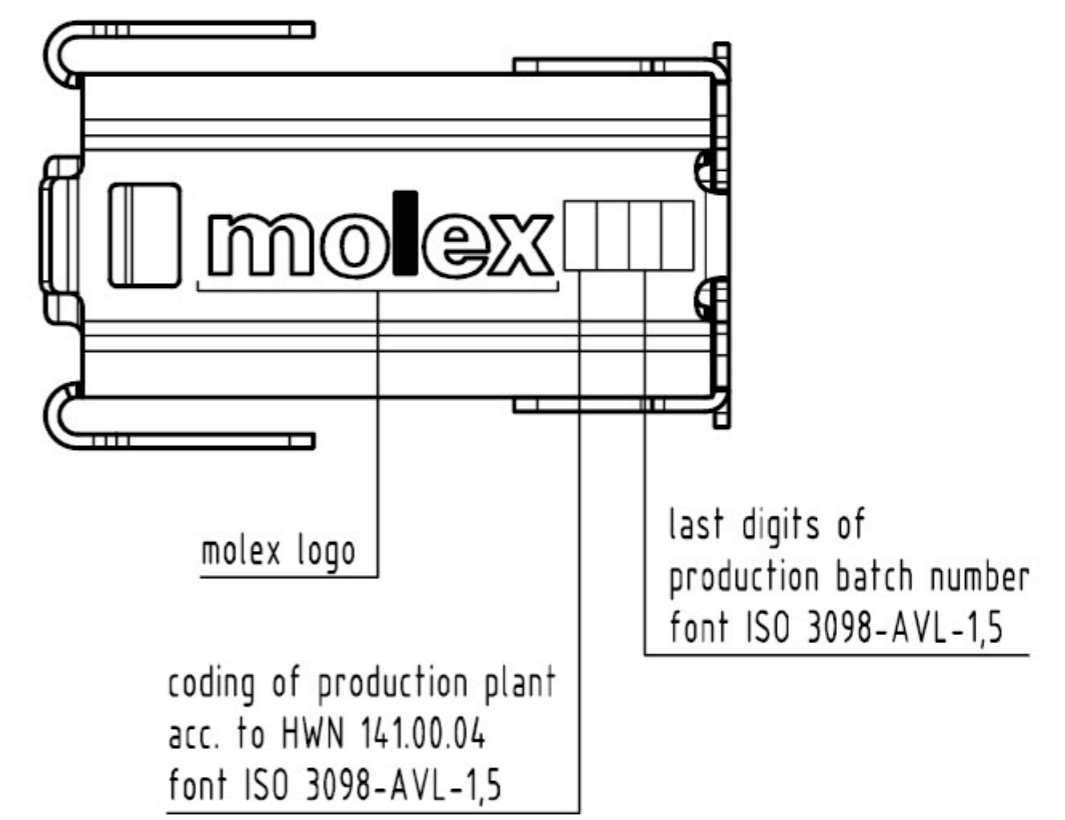
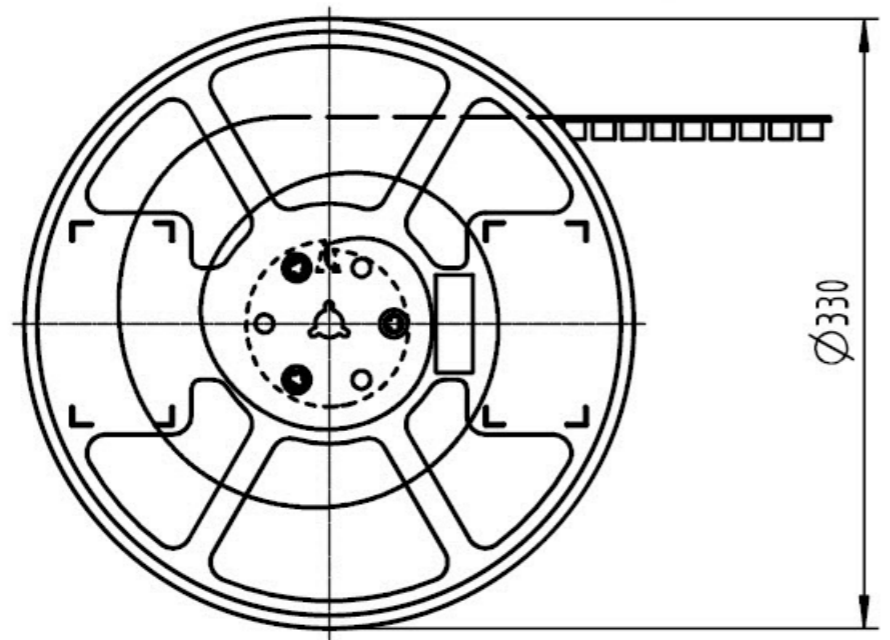
(1:1)



(5:1)



(1:5)
direction of reel



FUNCTIONAL SYMBOLS	THIS DRAWING CONTAINS INFORMATION THAT IS PROPRIETARY TO MOLEX ELECTRONIC TECHNOLOGIES, LLC AND SHOULD NOT BE USED WITHOUT WRITTEN PERMISSION		<p style="text-align: center;">molex</p> <p style="text-align: center;">PCB JACK SPE ANGLED</p>						
	$\nabla_A = 0$ $\nabla_E = 0$ $\nabla_F = 0$	DIMENSION UNITS mm					SCALE 1:1	CURRENT REV DESC: ADD PACKAGING INFORMATION	
DIVISIONAL SYMBOLS	GENERAL TOLERANCES (UNLESS SPECIFIED)		EC NO: 770582						
	ANGULAR TOL ± 1.0°		DRWN: MBLOESER 2023/12/01						
	4 PLACES ±	3 PLACES ±		CHK'D: RSILLER 2023/12/05					
	2 PLACES ± 0.05	1 PLACE ± 0.1		APPR: RSILLER 2023/12/05					
	0 PLACES ± 0.2	INITIAL REVISION:		DOCUMENT NUMBER					
DRAFT WHERE APPLICABLE MUST REMAIN WITHIN DIMENSIONS		THIRD ANGLE PROJECTION	DRAWING	SERIES	MATERIAL NUMBER	CUSTOMER	DOC TYPE	DOC PART	REVISION
			A3-SIZE	220957	2209570001	GENERAL MARKET	PSD	000	A1