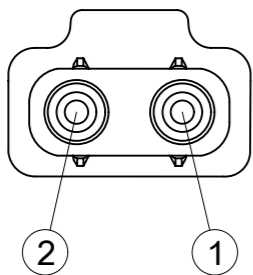
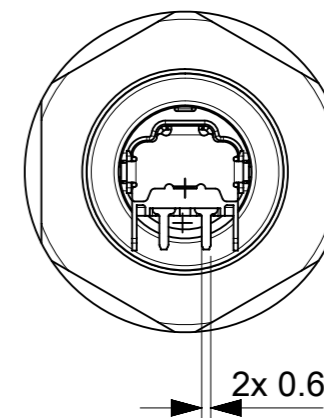
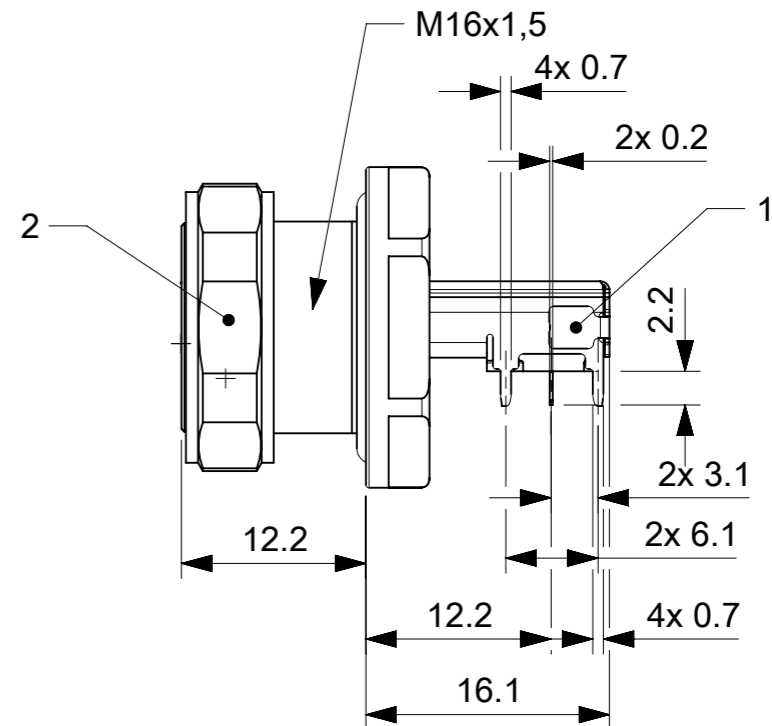
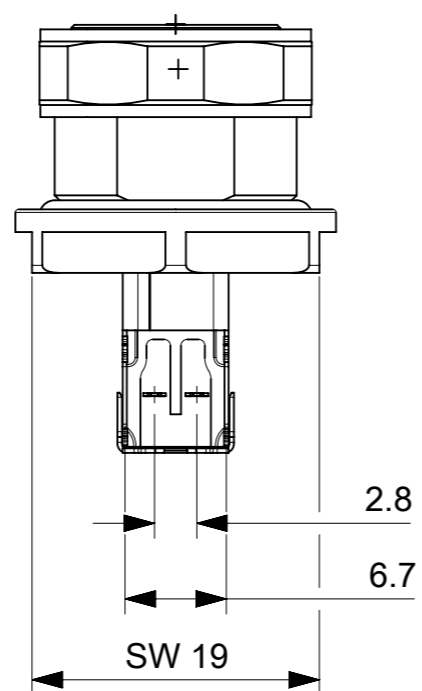
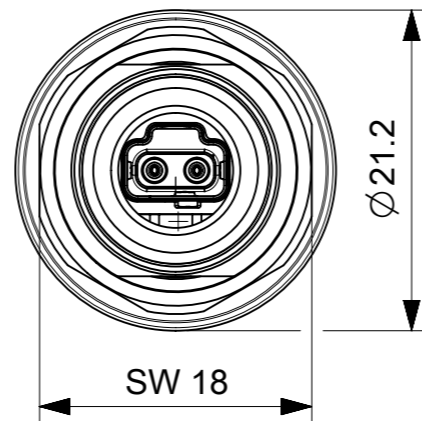
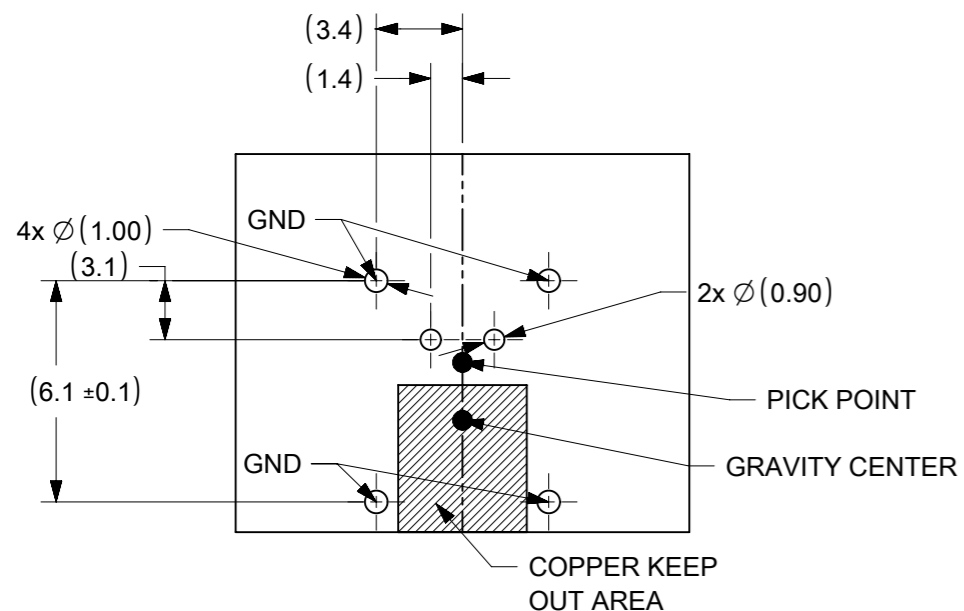


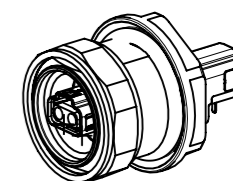
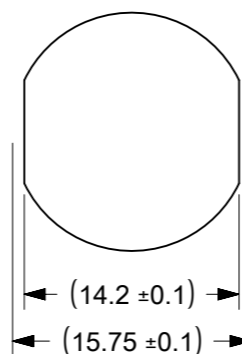
SPE FEMALE FRONT VIEW



PCB LAYOUT TOP VIEW



RECOMMENDED PANEL CUTOUT



NOTES:

1. VOLTAGE: 60 V AC
2. CURRENT: 4 A AC
3. DATA RATE: 10 Mbit/s // 100 Mbit/s // 1 Gbit/s // 2,5 Gbit/s 5 Gbit/s / 10 Gbit/s
4. STATIC TEMPERATURE: -40 °C TO 80 °C
5. DYNAMIC TEMPERATURE: -25 °C TO 80 °C
6. MATING CYCLES: 1000
7. PROTECTION: IP67
8. PACKAGING AS KIT
9. DESIGNED ACC. IEC63171-6
- IEEE 802.3bu
- IEEE 802.3cg
- IEEE 802.3bw
- IEEE 802.3bp
- IEEE 802.3ch

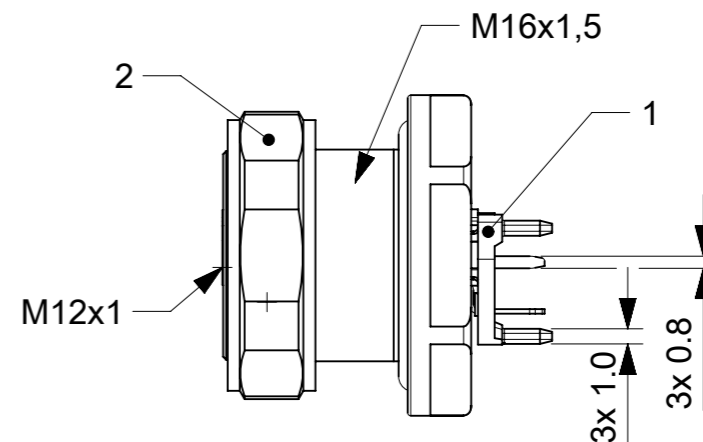
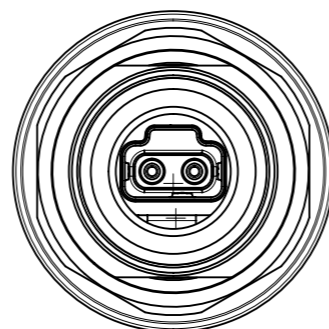
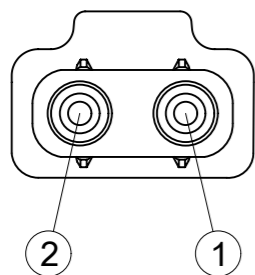
BILL OF MATERIAL

ITEM	QTY	MOLEX PN	DESCRIPTION	MATERIAL	FINISH/COLOR
1	1	2209570002	PCB JACK M12 ANGLED	METAL	GREEN
2	1	2209570011	SHELL M12 BACK MOUNTED	BRASS	Ni

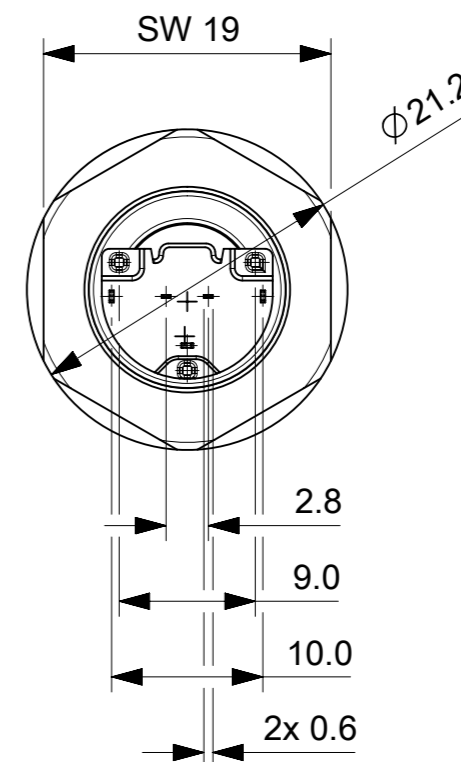
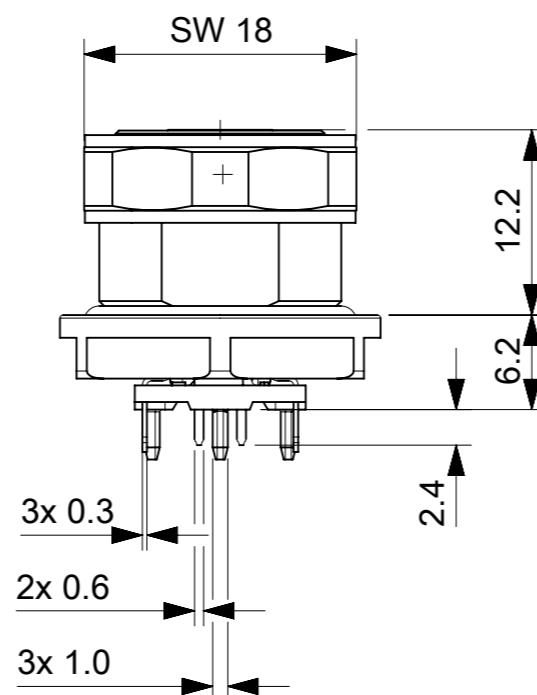
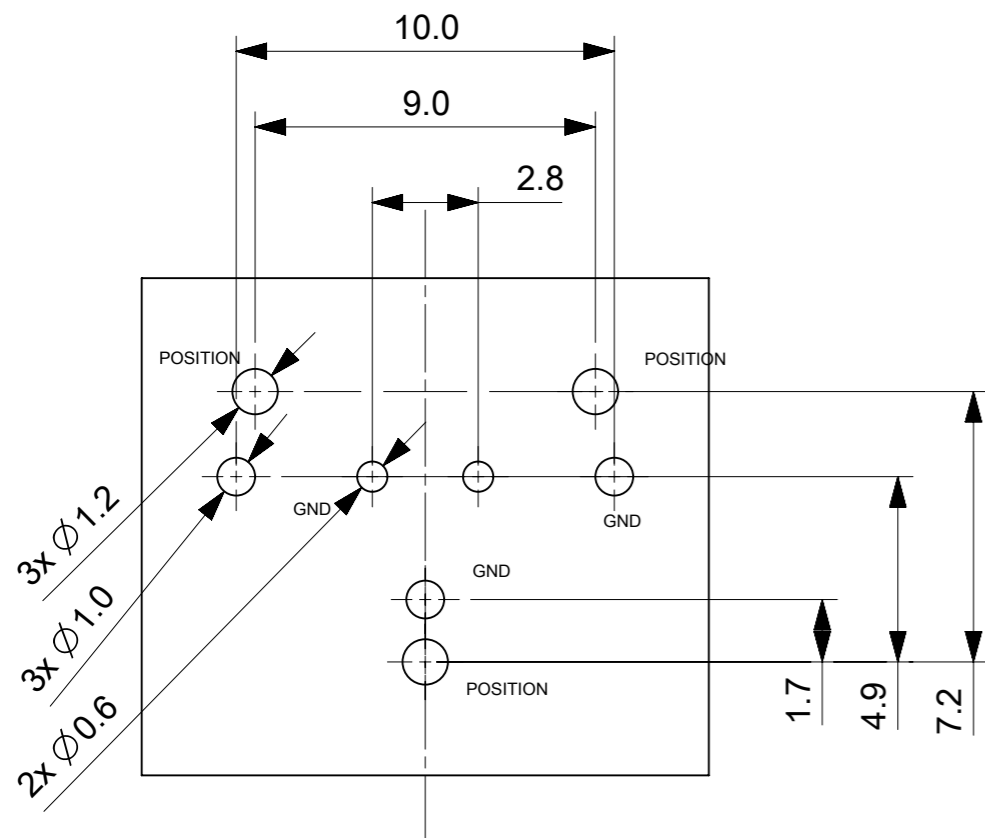
CONTACT	SIGNAL
1	BL_DA+
2	BL_DA-

FUNCTIONAL SYMBOLS FA = 0 FE = 0 FE = 0	THIS DRAWING CONTAINS INFORMATION THAT IS PROPRIETARY TO MOLEX ELECTRONIC TECHNOLOGIES, LLC AND SHOULD NOT BE USED WITHOUT WRITTEN PERMISSION		CURRENT REV DESC:			
	DIMENSION UNITS	SCALE	EC NO: 726259			PRODUCT CUSTOMER DRAWING
	mm	2:1	DRWN: MBLOESER 2022/11/02			
DIVISIONAL SYMBOLS	GENERAL TOLERANCES (UNLESS SPECIFIED)		CHK'D: THAERDT 2022/11/02		DOCUMENT NUMBER	
	ANGULAR TOL ± 1.0°		APPR: THAERDT 2022/11/02			DOC TYPE DOC PART REVISION
	4 PLACES ±	INITIAL REVISION:		2209570004	PSD 000 A	
	3 PLACES ±	DRWN: MBLOESER 2022/09/22				
	2 PLACES ± 0.05	APPR: THAERDT 2022/11/02		MATERIAL NUMBER	CUSTOMER	SHEET NUMBER
1 PLACE ± 0.1	DRAFT WHERE APPLICABLE MUST REMAIN WITHIN DIMENSIONS		220957			
0 PLACES ± 0.2	THIRD ANGLE PROJECTION	DRAWING	SERIES			
		A3-SIZE	220957			

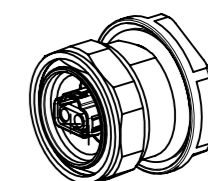
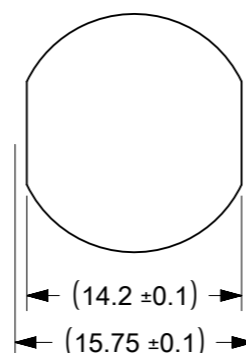
SPE FEMALE  
FRONT VIEW



PCB LAYOUT TOP VIEW



RECOMMENDED PANEL CUTOUT



NOTES:

1. VOLTAGE: 60 V AC
  2. CURRENT: 4 A AC
  3. DATA RATE: 10 Mbit/s // 100 Mbit/s // 1 Gbit/s // 2,5 Gbit/s 5 Gbit/s / 10 Gbit/s
  4. STATIC TEMPERATURE: -40 °C TO 80 °C
  5. DYNAMIC TEMPERATURE: -25 °C TO 80 °C
  6. MATING CYCLES: 1000
  7. PROTECTION: IP67
  8. PACKAGING AS KIT
  9. DESIGNED ACC.
- IEC63171-6  
IEEE 802.3bu  
IEEE 802.3cg  
IEEE 802.3bw  
IEEE 802.3bp  
IEEE 802.3ch

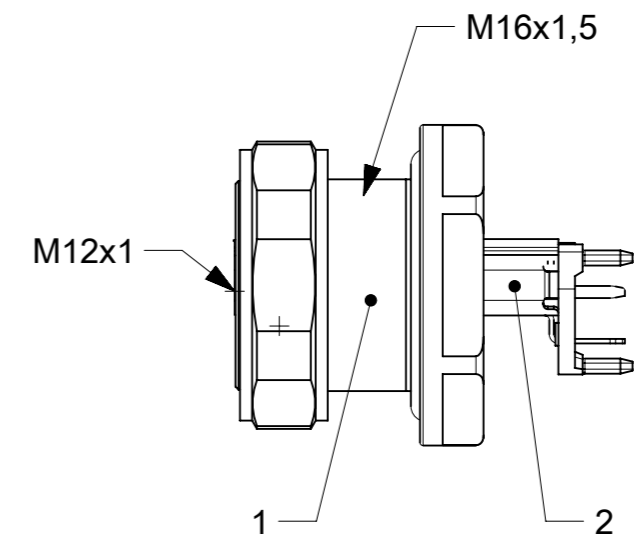
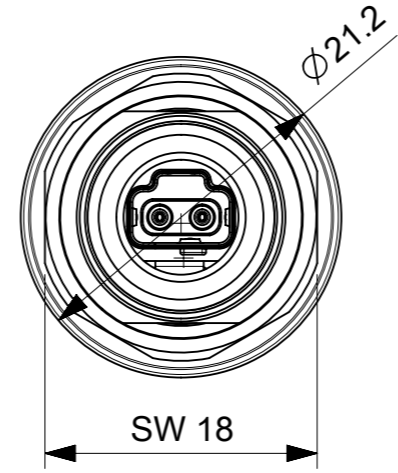
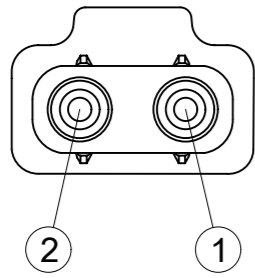
BILL OF MATERIAL

ITEM	QTY	MOLEX PN	DESCRIPTION	MATERIAL	FINISH/COLOR
1	1	2209570005	PCB JACK M12 STRAIGHT 8MM	METAL	GREEN
2	1	2209570011	SHELL M12 BACK MOUNTED	BRASS	Ni

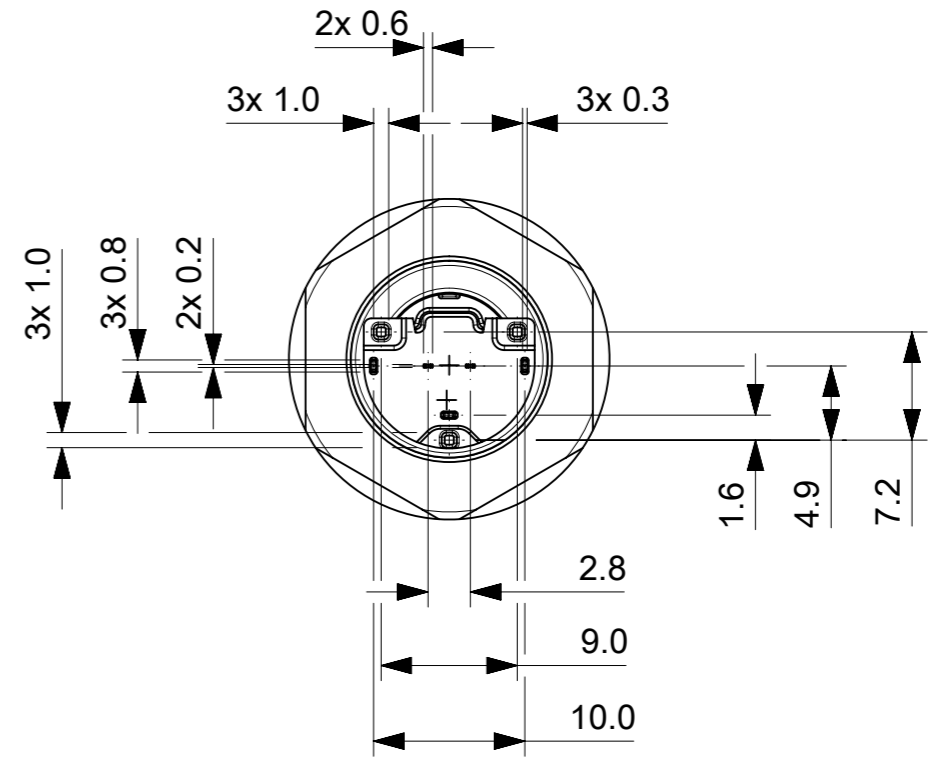
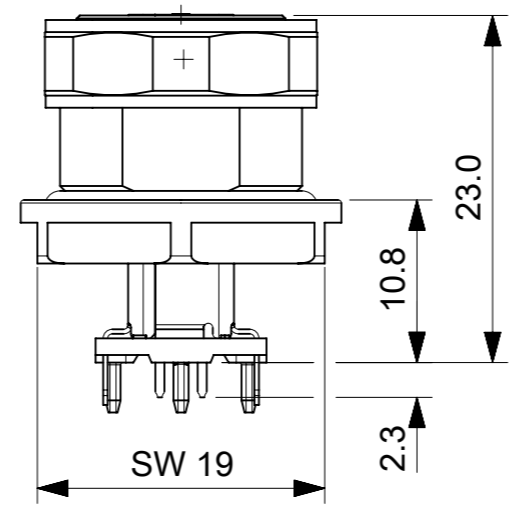
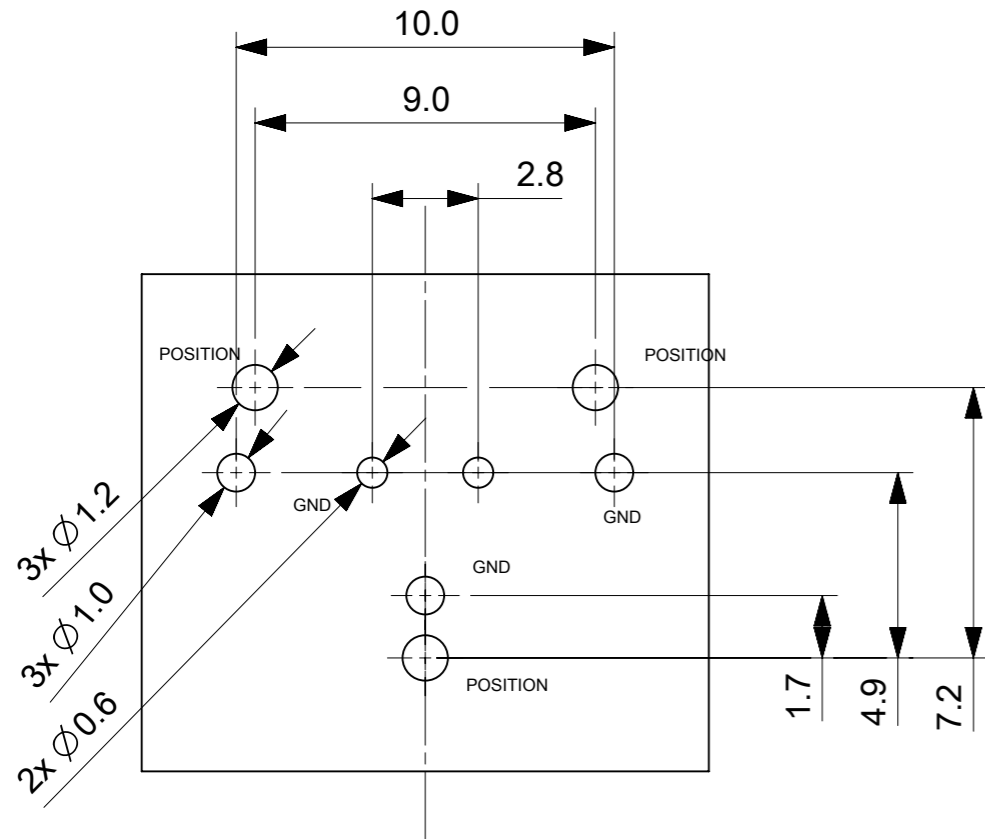
CONTACT	SIGNAL
1	BL_DA+
2	BL_DA-

FUNCTIONAL SYMBOLS ∇A = 0 ∇E = 0 ∇V = 0	THIS DRAWING CONTAINS INFORMATION THAT IS PROPRIETARY TO MOLEX ELECTRONIC TECHNOLOGIES, LLC AND SHOULD NOT BE USED WITHOUT WRITTEN PERMISSION	SCALE 2:1	CURRENT REV DESC:		
	DIMENSION UNITS mm	GENERAL TOLERANCES (UNLESS SPECIFIED)	molex		
	ANGULAR TOL ± 1.0°	4 PLACES ±	PCB JACK M12 STRAIGHT 8MM BACK MOUNTED		
	3 PLACES ±	2 PLACES ± 0.05	PRODUCT CUSTOMER DRAWING		
DIVISIONAL SYMBOLS	1 PLACE ± 0.1	0 PLACES ± 0.2	EC NO: 726259	DRWN: MBLOESER	2022/11/02
	DRAFT WHERE APPLICABLE MUST REMAIN WITHIN DIMENSIONS	THIRD ANGLE PROJECTION	DRAWING	SERIES	MATERIAL NUMBER
			A3-SIZE	220957	2209570007
				CUSTOMER	GENERAL MARKET
				DOCUMENT NUMBER	2209570007
				DOC TYPE	PSD
				DOC PART	000
				REVISION	A
				SHEET NUMBER	1 OF 1

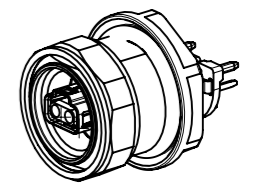
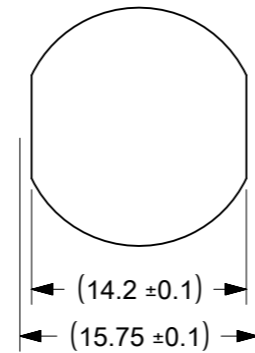
SPE FEMALE  
FRONT VIEW



PCB LAYOUT TOP VIEW



RECOMMENDED PANEL CUTOUT



NOTES:

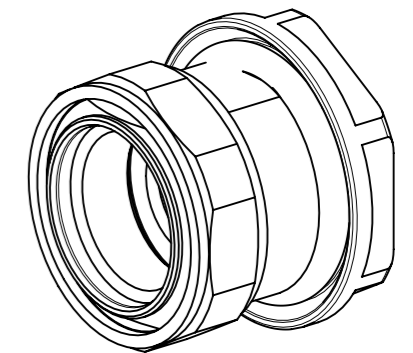
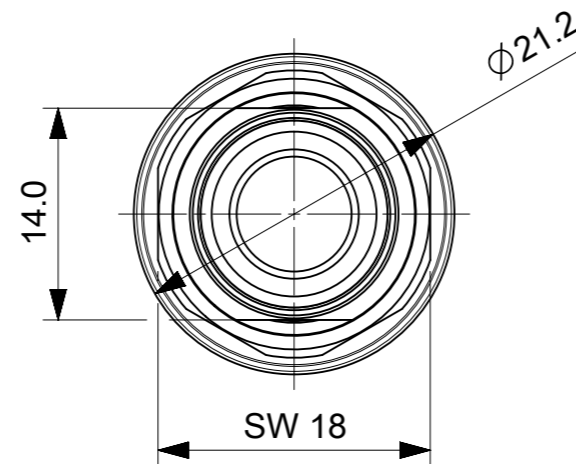
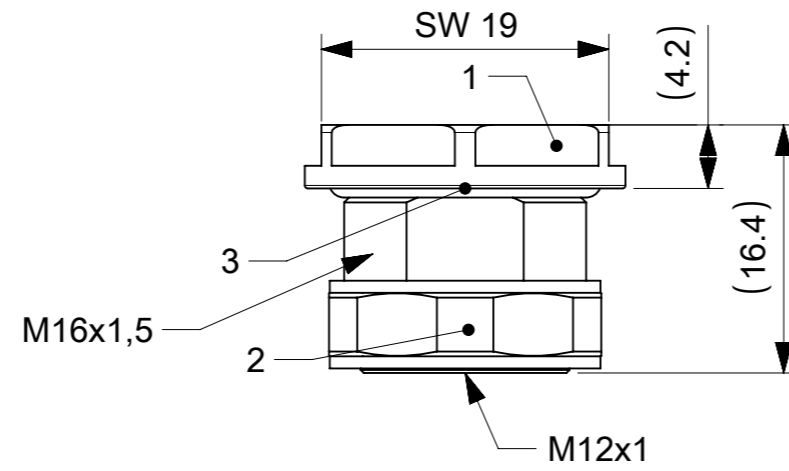
1. VOLTAGE: 60 V AC
2. CURRENT: 4 A AC
3. DATA RATE: 10 Mbit/s // 100 Mbit/s // 1 Gbit/s // 2,5 Gbit/s 5 Gbit/s / 10 Gbit/s
4. STATIC TEMPERATURE: -40 °C TO 80 °C
5. DYNAMIC TEMPERATURE: -25 °C TO 80 °C
6. MATING CYCLES: 1000
7. PROTECTION: IP67
8. PACKAGING AS KIT
9. DESIGNED ACC.  
IEC63171-6  
IEEE 802.3bu  
IEEE 802.3cg  
IEEE 802.3bw  
IEEE 802.3bp  
IEEE 802.3ch

BILL OF MATERIAL

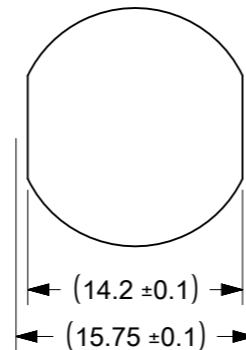
ITEM	QTY	MOLEX PN	DESCRIPTION	MATERIAL	FINISH/COLOR
1	1	2209570008	PCB JACK M12 STRAIGHT 12,5MM	METAL	GREEN
2	1	2209570011	SHELL M12 BACK MOUNTED	BRASS	Ni

CONTACT	SIGNAL
1	BL_DA+
2	BL_DA-

FUNCTIONAL SYMBOLS ∇A = 0 ∇E = 0 ∇V = 0	THIS DRAWING CONTAINS INFORMATION THAT IS PROPRIETARY TO MOLEX ELECTRONIC TECHNOLOGIES, LLC AND SHOULD NOT BE USED WITHOUT WRITTEN PERMISSION	SCALE 1:1	CURRENT REV DESC:				
	DIMENSION UNITS mm	GENERAL TOLERANCES (UNLESS SPECIFIED)	molex				
DIVISIONAL SYMBOLS	ANGULAR TOL ± 1.0°	4 PLACES ±	PCB JACK M12 STRAIGHT 12.5MM BACK MOUNT				
	3 PLACES ±	2 PLACES ± 0.05	PRODUCT CUSTOMER DRAWING				
1 PLACE ± 0.1	0 PLACES ± 0.2	DOCUMENT NUMBER			DOC TYPE	DOC PART	REVISION
DRAFT WHERE APPLICABLE MUST REMAIN WITHIN DIMENSIONS		THIRD ANGLE PROJECTION	DRAWING	SERIES	MATERIAL NUMBER	CUSTOMER	SHEET NUMBER
			A3-SIZE	220957	2209570010	GENERAL MARKET	1 OF 1



RECOMMENDED PANEL CUTOUT



- NOTE:  
 1. RECOMMENDED NUT TORQUE 2 Nm  
 2. IP RATING: 67 (IN MATED CONDITION)  
 3. PACKAGING: 10PCS IN POLYBAG

BOM

ITEM	QTY	DESCRIPTION	MATERIAL	FINISH/COLOR
1	1	M12 SHELL	BRASS	NI PLATED
2	1	M12 FRONT NUT	BRASS	NI PLATED
3	1	SEAL	EPDM	BLACK

FUNCTIONAL SYMBOLS	THIS DRAWING CONTAINS INFORMATION THAT IS PROPRIETARY TO MOLEX ELECTRONIC TECHNOLOGIES, LLC AND SHOULD NOT BE USED WITHOUT WRITTEN PERMISSION		CURRENT REV DESC:		<b>molex</b>		
	▽A = 0	mm	SCALE	5:1			
▽E = 0	GENERAL TOLERANCES (UNLESS SPECIFIED)		EC NO: 726259		SHELL M12 BACK MOUNTED		
▽F = 0	ANGULAR TOL ± 1.0°		DRWN: MBLOESER 2022/11/02				
DIVISIONAL SYMBOLS	4 PLACES ±	CHK'D: THAERTD 2022/11/02		PRODUCT CUSTOMER DRAWING			
	3 PLACES ±	APPR: THAERTD 2022/11/02		DOCUMENT NUMBER			
	2 PLACES ± 0.05	INITIAL REVISION:		2209570011			
	1 PLACE ± 0.1	DRWN: MBLOESER 2022/09/06		PSD 000 A			
0 PLACES ± 0.2	APPR: THAERTD 2022/11/02		SERIES		MATERIAL NUMBER		
DRAFT WHERE APPLICABLE MUST REMAIN WITHIN DIMENSIONS		THIRD ANGLE PROJECTION		DRAWING		CUSTOMER	
		A3-SIZE		220957		GENERAL MARKET	
				SHEET NUMBER		1 OF 1	