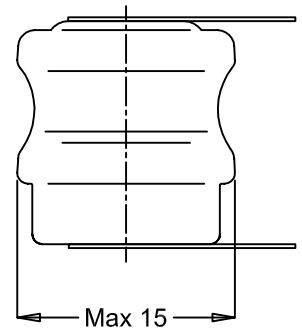
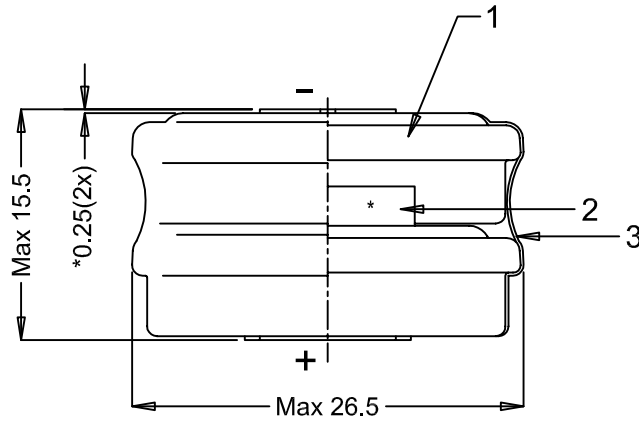
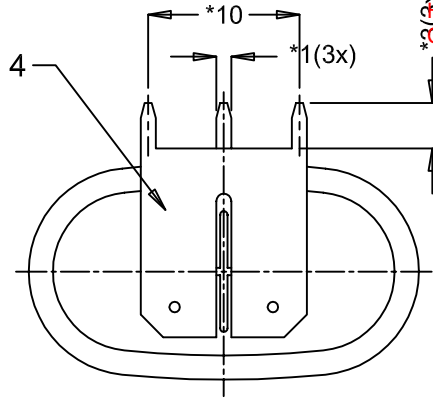
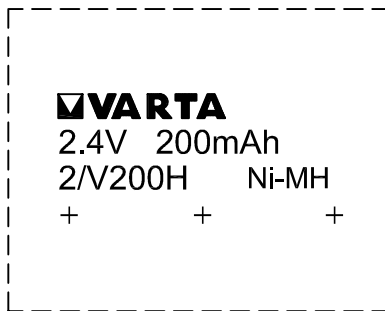


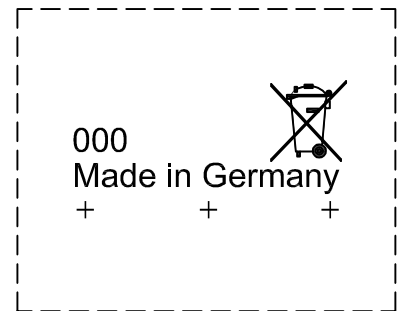
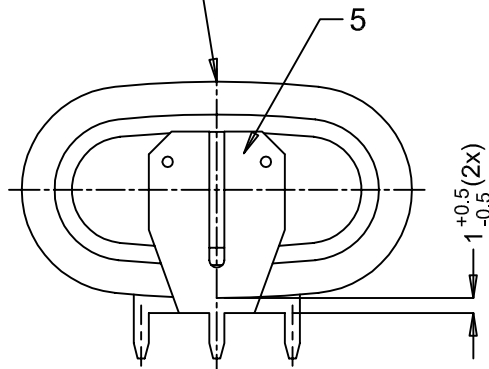
This is a controlled document.
 Hardcopy to be endorsed by authorized person.
 Check with Issuing Office or SAP system for latest update.



Varta standard printing



Front artwork



Rear artwork

Note: *Dimensions for reference only

Approx.wt : 14 g

1	R010/09	To add printed sleeve the crossed-out wheeled bin symbol.	2008-04-23	Ben
0		Refer to #SPF1387	2000-12-07	Tatang
No	AO No	Revisions	1	Date Name

Projection:		Material: Refer to part list no: 071955		Description: 2/V200H battery with shrink sleeve & solder tags	
Dimensions in mm		Prepared & Checked	Verified & Approved	Dwg. No: 071955	4 0 1
Tolerance: As specified		2000-12-07	Tatang	VKB Order No: 55620 302 059	
Scale: 2 : 1					

Rights reserved to make technical changes, as a result of further development, without notice. This drawing is the property of VARTA Microbattery and must not be copied or disclosed to a third party without the written consent of VARTA Microbattery.

