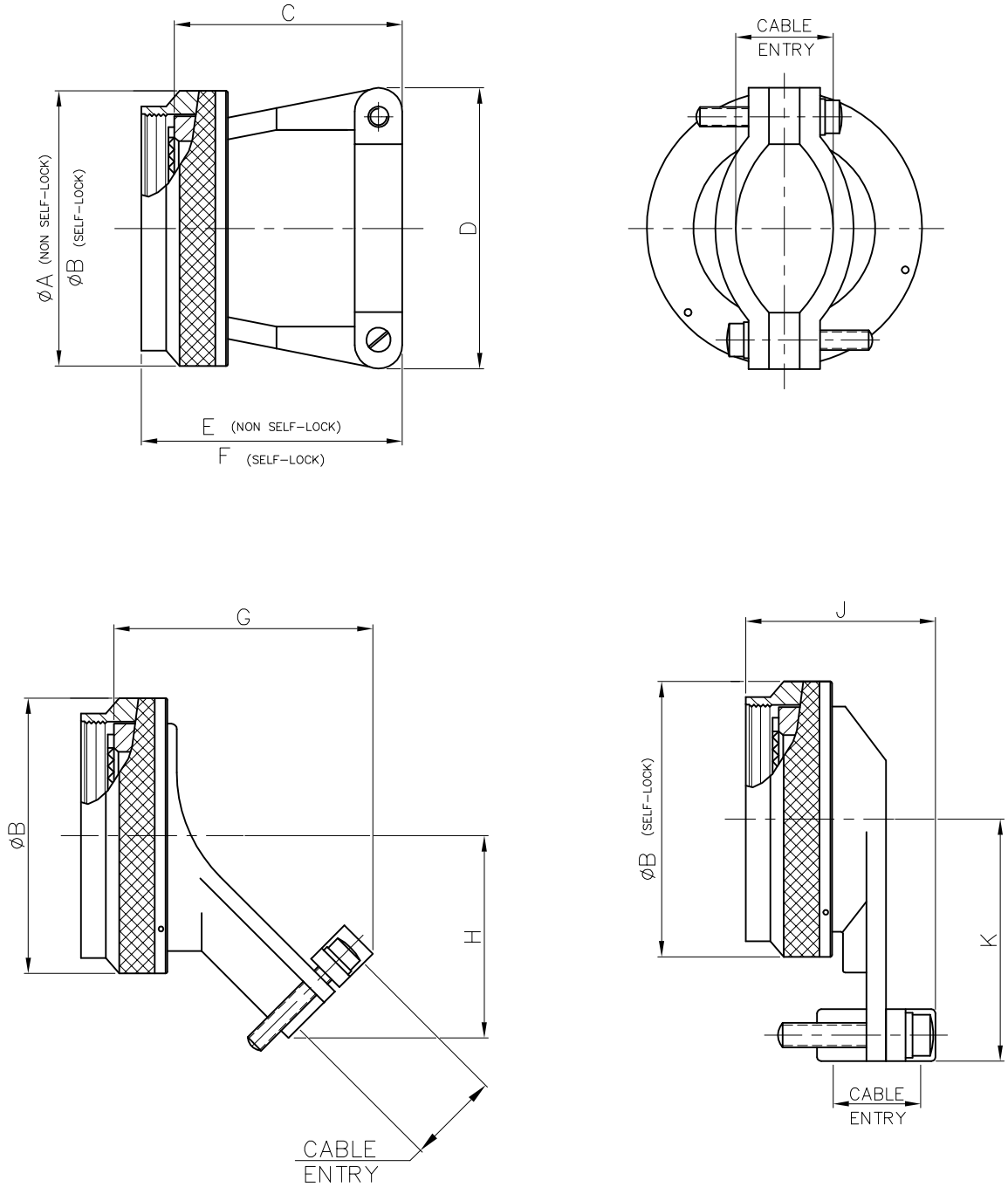


Issue No.	Eng. Ref. No.	REVISIONS	Date	App. By
1	--	ORIGINAL	11/04/06	paramesh
2				

**STRAIN RELIEF BACKSHELL :-**

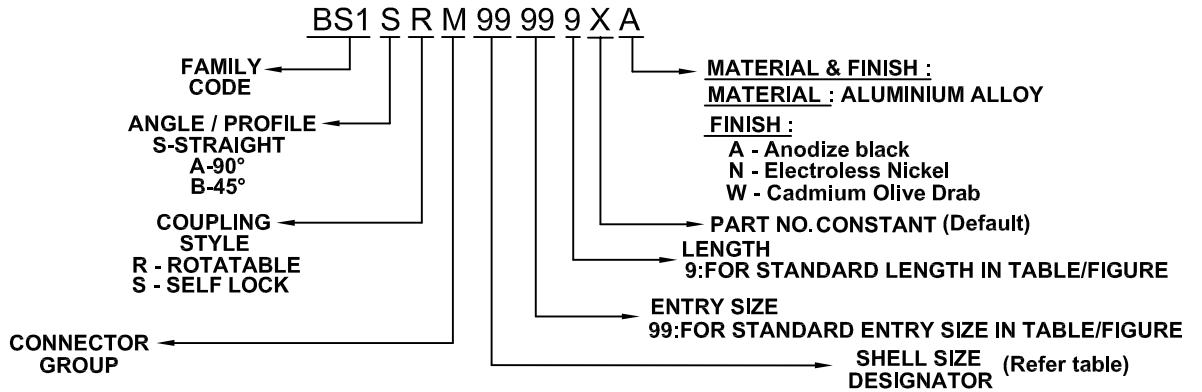


<b>Amphenol</b> <b>AIPL</b>		TITLE		<b>STRAIN RELIEF BACKSHELL</b>			
				Dwg.No.		<b>PSTDBS175</b>	
				Dwg. Size			
Name		Date		<b>A4</b>		<b>STANDARD</b>	
Drawn by		09/04/06					
Checked by		10/04/06					
App.by		11/04/06		Doc. No.: QF-DEV-76		Sheet 1 OF 3	
				REV. NO. : 02			

All Dimensions are in  
MM/INCHES

Issue No.	Eng. Ref. No.	REVISIONS	Date	App. By
1	--	ORIGINAL	11/04/06	paramesh
2				

### ☞ PART NUMBERING SYSTEM :-



M:EN3372,BS9522 F0012/PAT 615,JN1003,LN29729,NFS93422,HE306,PAN6433-2,VG96912  
 N: BS9522 F0017/PATT105,BS9522 N0001/PATT 603,BS9522 F0090/PATT 608

### ☞ DIMENSIONS :-

SHELL SIZE DESIGNATOR	CONNECTOR SHELL SIZE	øA MAX.		øB MAX.		C MAX.		D MAX.	
		INCH	MM	INCH	MM	INCH	MM	INCH	MM
08	8/9	0.75	19.05	0.86	21.82	0.91	23.11	0.85	21.59
10	10/11	0.85	21.59	0.98	24.99	0.91	23.11	0.90	22.86
12	12/13	1.00	25.40	1.16	29.36	1.01	25.65	1.10	27.94
14	14/15	1.10	27.94	1.28	32.54	1.06	26.92	1.15	29.21
16	16/17	1.25	31.75	1.41	35.71	1.16	29.46	1.30	33.02
18	18/19	1.40	35.56	1.52	38.51	1.41	35.81	1.50	38.10
20	20/21	1.50	38.10	1.64	41.68	1.51	38.35	1.60	40.64
22	22/23	1.65	41.91	1.77	44.86	1.66	42.16	1.70	43.18
24	24/25	1.75	44.45	1.89	48.03	1.76	44.70	1.80	45.72

SHELL SIZE DESIGNATOR	CONNECTOR SHELL SIZE	E MAX.		F MAX.		G MAX.		H MAX.	
		INCH	MM	INCH	MM	INCH	MM	INCH	MM
08	8/9	1.10	27.94	1.15	29.21	1.32	33.53	0.77	19.61
10	10/11	1.10	27.94	1.15	29.21	1.36	34.65	0.80	20.40
12	12/13	1.20	30.48	1.25	31.75	1.44	36.53	0.87	22.00
14	14/15	1.25	31.75	1.30	33.02	1.48	37.59	0.93	23.57
16	16/17	1.36	34.44	1.40	35.56	1.59	40.28	0.99	25.17
18	18/19	1.60	40.64	1.65	41.91	1.70	43.28	1.11	28.19
20	20/21	1.70	43.21	1.75	44.45	1.75	44.40	1.17	29.77
22	22/23	1.85	46.99	1.90	48.26	1.79	45.52	1.24	31.37
24	24/25	1.95	49.56	2.00	50.80	1.84	46.63	1.30	32.94

<b>Amphenol</b> AIPL			TITLE <b>STRAIN RELIEF BACKSHELL</b>				
						All Dimensions are in MM/INCHES	
Name		Date	Dwg. Size <b>A4</b>	Dwg.No. <b>PSTDBS175</b>		<b>STANDARD</b>	
Drawn by <i>raghav</i>		09/04/06					
Checked by <i>mahesh</i>		10/04/06	Doc. No.: QF-DEV-76 REV. NO. : 02	Sheet 2 OF 3			
App.by <i>paramesh</i>		11/04/06					

Issue No.	Eng. Ref. No.	REVISIONS	Date	App. By
1	--	ORIGINAL	11/04/06	paramesh
2				

**DIMENSIONS :-**

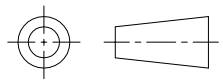
SHELL SIZE DESIGNATOR	CONNECTOR SHELL SIZE	J MAX.		K MAX.		CABLE ENTRY			
		INCH	MM	INCH	MM	MIN.		MAX.	
						INCH	MM	INCH	MM
08	8/9	1.38	35.05	1.00	25.40	0.10	2.49	0.23	5.94
10	10/11	1.38	35.05	1.10	27.94	0.15	3.89	0.23	5.94
12	12/13	1.46	37.08	1.10	27.94	0.19	4.83	0.33	8.33
14	14/15	1.63	41.40	1.25	31.75	0.26	6.60	0.46	11.61
16	16/17	1.80	45.72	1.30	33.02	0.28	7.19	0.61	15.60
18	18/19	1.82	46.23	1.35	34.29	0.33	8.26	0.63	16.10
20	20/21	1.90	48.26	1.60	40.64	0.34	8.71	0.70	17.73
22	22/23	2.04	51.82	1.75	44.45	0.38	9.68	0.82	20.90
24	24/25	2.15	54.61	1.85	46.99	0.42	10.62	0.85	21.67

**MATERIAL :-**

- ↳ Aluminium alloy as per ASTM B211 / B85
- ↳ Corrosion resistant steel as per AMS-QQ-S-763

**NOTE :-**

- ↳ For more Cable Entry and length options please refer PSTDBS506.

<b>Amphenol</b> AIIPL			TITLE <b>STRAIN RELIEF BACKSHELL</b>				
			Dwg. No. <b>PSTDBS175</b>			All Dimensions are in <b>MM/INCHES</b>	
Name		Date	Dwg. Size <b>A4</b>	Doc. No.: QF-DEV-76		<b>STANDARD</b>	
Drawn by	<i>raghav</i>	09/04/06		REV. NO. : 02			
Checked by	<i>mahesh</i>	10/04/06		Sheet 3 OF 3			
App. by	<i>paramesh</i>	11/04/06					