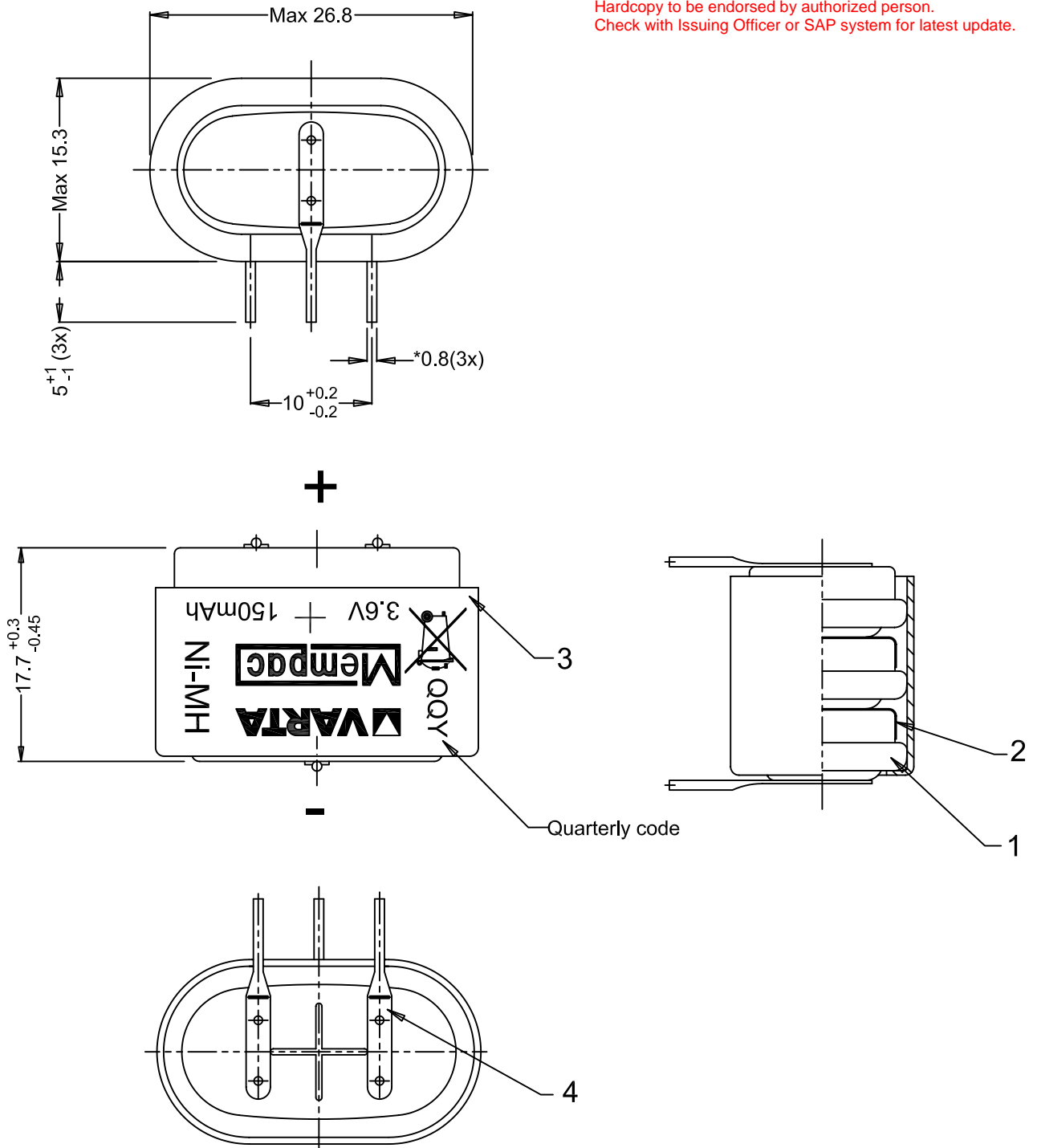


This is controlled document.  
 Hardcopy to be endorsed by authorized person.  
 Check with Issuing Officer or SAP system for latest update.



Note: \*Dimensions for reference only

Approx. wt : 15 g

No	AO No	Revisions	Date	Name
3	R218/08	Add cross wheeled bin	2008-04-17	Syamsul
2	R001/04	Change code from 4 digit to 3 digit	2004-01-02	Tutik
1	R36/03	Terminal pin change to use Flatten model	2002-08-22	TitisWS

<b>Projection:</b>		<b>Material:</b> Refer to part list no: 063706		<b>Description:</b> 3/V150H battery with casing & terminal pin		
<b>Dimensions in mm</b>		<b>Prepared &amp; Checked</b> 2001-01-31 Yeni		<b>Verified &amp; Approved</b>		<b>Dwg. No:</b> 063706
<b>Tolerance:</b> As specified		<b>Scale:</b> 2 : 1		<b>VKB Order No:</b> 55615 603 940		

Rights reserved to make technical changes, as a result of further development, without notice. This drawing is the property of VARTA Microbattery and must not be copied or disclosed to a third party without the written consent of VARTA Microbattery.

