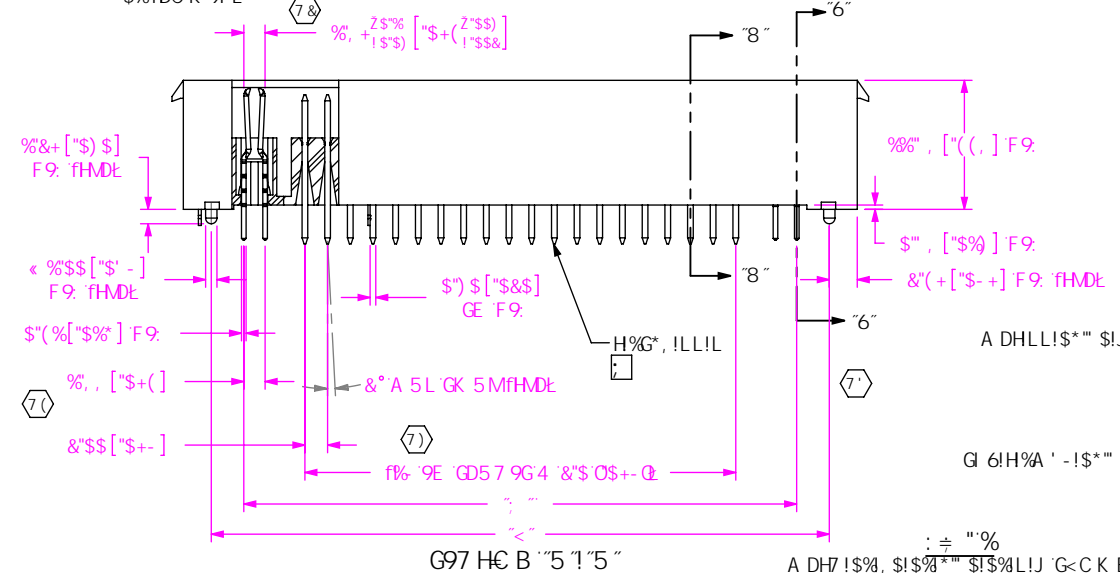
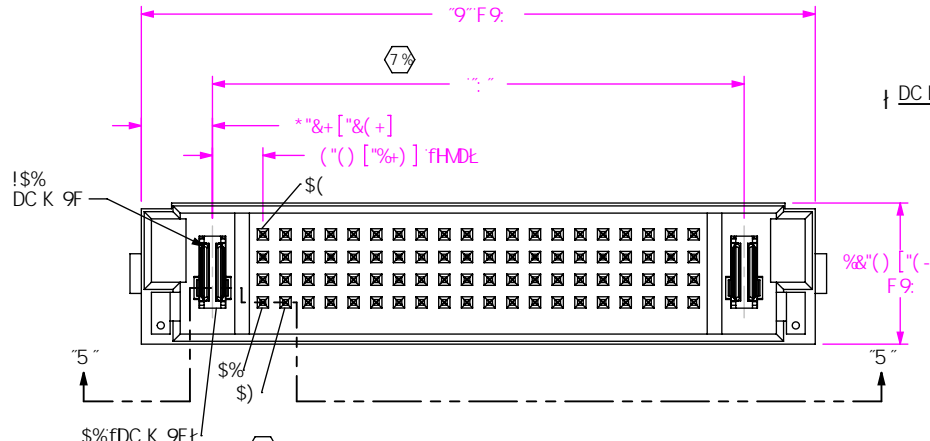


8C B'CH
G75@: FCA
H-GDFBH



A DH7 ILLILLILLI!*" \$!LL!LIJ ILL

DC K 9F D-BGfD9F 9B8L
!\$% !\$& z

G B5@D-BG
\$ f(L &\$L
H!L, f(L %&L
H!L * f(L -L
H!L & f(L *L
H!L% f(L (L
H!L\$ f(L &L
H!L\$ f(L %L

DC K 9F D-BGfD9F 9B8L
!\$% !\$& z

@58 GHM@
!*" \$.*" SA A

H5 @QB: Hk
!\$%: C F %) +OS* &QK ? ? D7 6
f! G9 G! 6H%A ' -!\$*" \$!\$%L
!&: C F " % O(&) QK ? ? D7 6
f! G9 G! 6H%A ' -!\$*" \$!\$&L
!\$' : C F &" *OS- QK ? ? D7 6
f! G9 G! 6H%A ' -!\$*" \$!\$' L

1 G99H56@8: CF 5J 5-6@7CA 6-B5HC BG
H 1 BC HC C @8
H 1 BCFH9@5G98: CF DFC 8I 7HC B

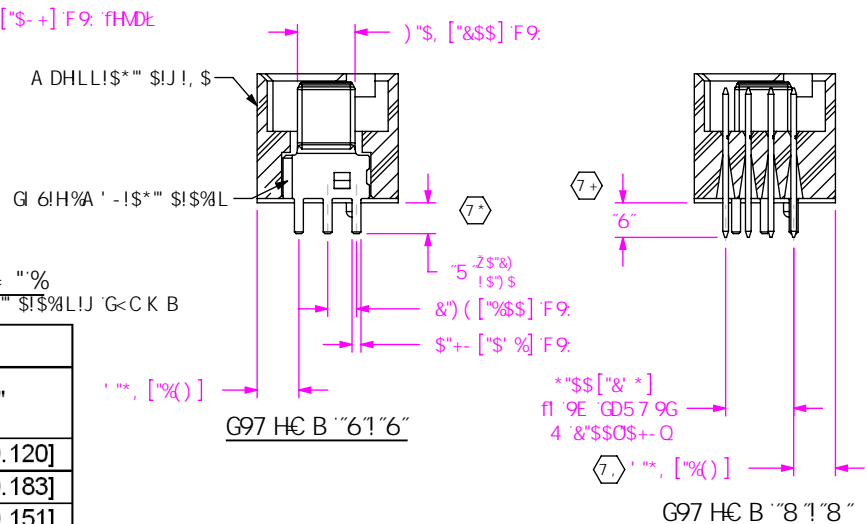
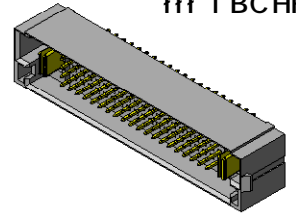


TABLE 1

PART NUMBER	POWER TERMINAL SUB-ASSEMBLY	SIGNAL TERMINAL	"A"	"B"
MPTC-XX-XX-XX-6.30-01-X-V-XX	SUB-T-1M39-06.30-01-X	T-1S68-05-L	2.72 [0.107]	3.05 [0.120]
** MPTC-XX-XX-XX-6.30-02-X-V-XX	SUB-T-1M39-06.30-02-X	T-1S68-09-L	4.32 [0.170]	4.66 [0.183]
*** MPTC-XX-XX-XX-6.30-03-X-V-XX	SUB-T-1M39-06.30-03-X	T-1S68-10-L	3.51 [0.138]	3.84 [0.151]



H 1 BCHHC @8
H 1 BCFH9@5G98: CF DFC 8I 7HC B

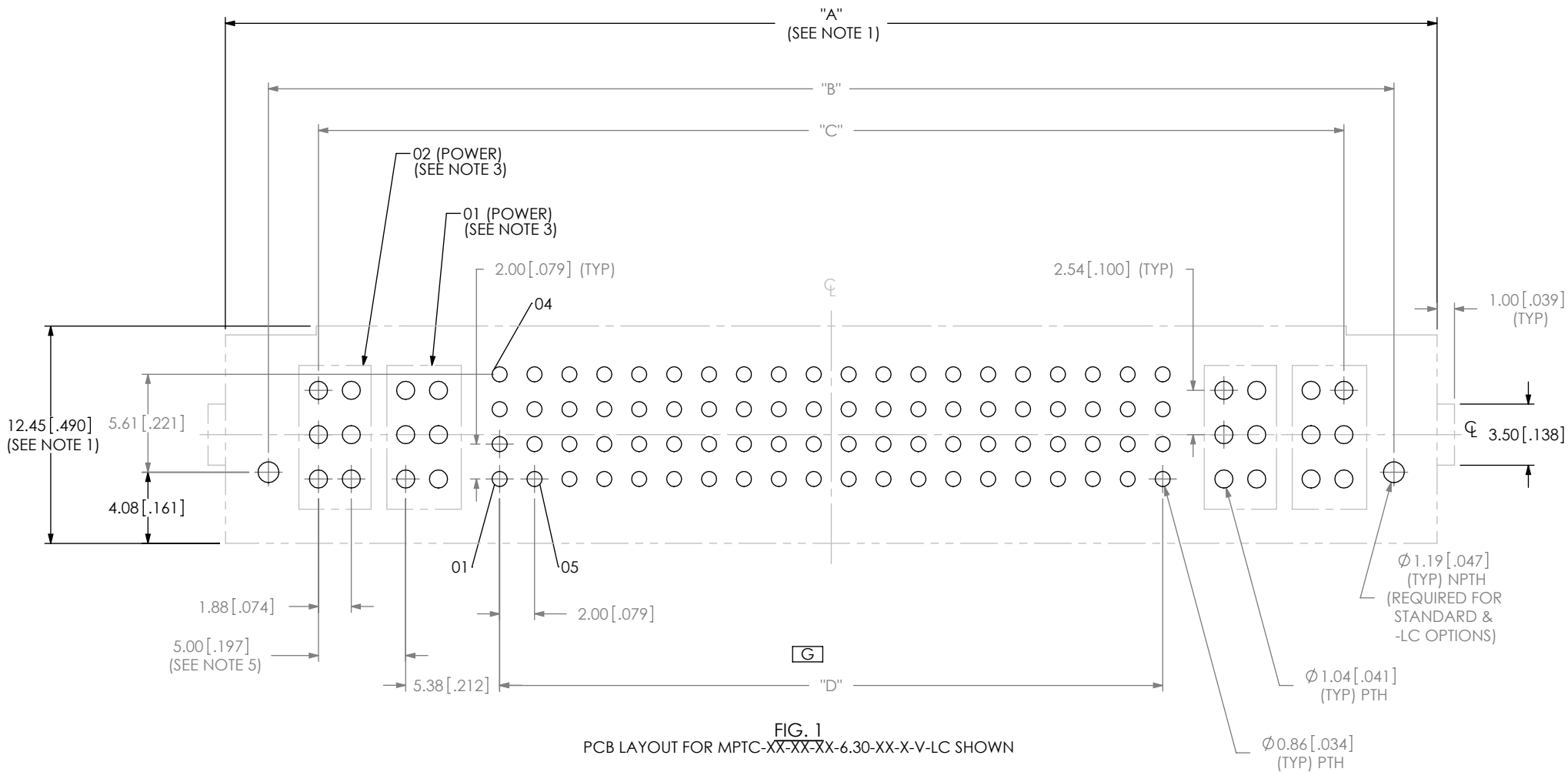
BC H9G
% (7) F9DF9G9BHG5 7F #7 5@8A 9BGC B"
&" 6! FF 5@C K 5B 7 9. "\$\$, OS\$%) OA 5L"
' "A B-A I A DI G-C I H: C F 7 9. &'&B O) @6Q
("D5 FGH: 69 D5 7 5; 98 B' F5M"
) "6CK 5@C K 98 5H "\$\$&A A #A A OS\$&B #BQ

I B @9G C H: 9FK G9 GD97 = 982
8A 9B GC BG 5F9 B A @A 9HFG
HC @F 5B 7 9G 5F9.
897 A 5@G @9G
"L. +\$% OS\$O" @&
"LL. +\$% OS\$O"
"LLL. +\$% OS\$O&S

DFC DF 9H5 FMBCHP
H: 68C 71A 98H7C B16 8G B: CFA 5HC B
7CB: 89B H5 @5B8 DFC DF 9H5 FMC
GSA H7 2 B7 *5B8 G: 5 @B C H69 F90FC 8I 7 98
C F H5BG 9F98 HC C H: 9F 8C 71A 9BHG C F
8 47 @C 98 HC C H: 9F C F I 98: C F 5BM
DI FDC 9C H: 9F H: 5B H: 5HK < 7 < H: 5G
C 6H 8 98 K H: C I H: 9F 9L DF 9G98 K F H98
7 C B @98 HC: GSA H7 2 B7

A SHF 5@ 8C B'CH G7 5@ 8F5K B: G 99H7 5@ 9\$ S****+
B G @5HC F. @ DZ 7 C @C F. 6@5 7?
H9FA B5@ 7 C DD9F 5@C M
G: B5@D-B: D-C G6FC B9

89G7 F4HC B.
J 9FH7 5@DC K 9F H9FA B5@
8K: "BC"
A DH7 ILLILLILLI!*" \$!LL!LIJ ILL
6M 7 @MK &#&#&\$+ G<99H% C: '



NOTES:

- CONNECTOR ENVELOPE DIMENSIONS. OTHER COMPONENTS PLACED ON PCB SHALL AVOID THIS ZONE.
- ALL DIMENSIONS ARE SYMMETRIC ABOUT THE CENTERLINE.
- EACH GROUP HOLDS ONE POWER PIN.
- NOTE DELETED.
- ONLY REQUIRED ON MPTC-02-XX-02--6.30-XX-X-V-XX

**DESIGNED & DIMENSIONED
IN MILLIMETERS[INCHES]**

PROPRIETARY NOTE

THIS DOCUMENT CONTAINS INFORMATION CONFIDENTIAL AND PROPRIETARY TO SAMTEC, INC. AND SHALL NOT BE REPRODUCED OR TRANSFERRED TO OTHER DOCUMENTS OR DISCLOSED TO OTHERS OR USED FOR ANY PURPOSE OTHER THAN THAT WHICH IT WAS OBTAINED WITHOUT THE EXPRESSED WRITTEN CONSENT OF SAMTEC, INC.



520 PARK EAST BLVD, NEW ALBANY, IN 47150
PHONE: 812-944-6733 FAX: 812-948-5047
e-Mail: info@SAMTEC.com code: 55322

G

TABLE 1

PART NUMBER	"A"	"B"	"C"	"D"
MPTC-01-04-01-X.XX-XX-X-V-XX	21.44 [0.844]	16.54 [0.651]	10.77 [0.424]	N/A
MPTC-02-04-02-X.XX-XX-X-V-XX	31.44 [1.238]	26.54 [1.045]	20.77 [0.818]	N/A
MPTC-01-08-01-X.XX-XX-X-V-XX	23.44 [0.923]	18.54 [0.730]	12.77 [0.503]	2.00 [0.079]
MPTC-02-08-02-X.XX-XX-X-V-XX	33.44 [1.317]	28.54 [1.124]	22.77 [0.896]	2.00 [0.079]
MPTC-01-16-01-X.XX-XX-X-V-XX	27.44 [1.080]	22.54 [0.887]	16.77 [0.660]	6.00 [0.236]
MPTC-02-16-02-X.XX-XX-X-V-XX	37.44 [1.474]	32.54 [1.281]	26.77 [1.054]	6.00 [0.236]
MPTC-01-24-01-X.XX-XX-X-V-XX	31.44 [1.238]	26.54 [1.045]	20.77 [0.818]	10.00 [0.394]
MPTC-02-24-02-X.XX-XX-X-V-XX	41.44 [1.631]	36.54 [1.439]	30.77 [1.211]	10.00 [0.394]
MPTC-01-36-01-X.XX-XX-X-V-XX	37.44 [1.474]	32.54 [1.281]	26.77 [1.054]	16.00 [0.630]
MPTC-02-36-02-X.XX-XX-X-V-XX	47.44 [1.868]	42.54 [1.675]	36.77 [1.448]	16.00 [0.630]
MPTC-01-48-01-X.XX-XX-X-V-XX	43.44 [1.710]	38.54 [1.517]	32.77 [1.290]	22.00 [0.866]
MPTC-02-48-02-X.XX-XX-X-V-XX	53.44 [2.104]	48.54 [1.911]	42.77 [1.684]	22.00 [0.866]
MPTC-01-80-01-X.XX-XX-X-V-XX	59.44 [2.340]	54.54 [2.147]	48.77 [1.920]	38.00 [1.496]
MPTC-02-80-02-X.XX-XX-X-V-XX	69.44 [2.734]	64.54 [2.541]	58.77 [2.314]	38.00 [1.496]

PROPRIETARY NOTE

THIS DOCUMENT CONTAINS INFORMATION
CONFIDENTIAL AND PROPRIETARY TO
SAMTEC, INC. AND SHALL NOT BE REPRODUCED
OR TRANSFERRED TO OTHER DOCUMENTS OR
DISCLOSED TO OTHERS OR USED FOR ANY
PURPOSE OTHER THAN THAT WHICH IT WAS
OBTAINED WITHOUT THE EXPRESSED WRITTEN
CONSENT OF SAMTEC, INC.



520 PARK EAST BLVD, NEW ALBANY, IN 47150
PHONE: 812-944-6733 FAX: 812-948-5047
e-Mail: info@SAMTEC.com code: 55322