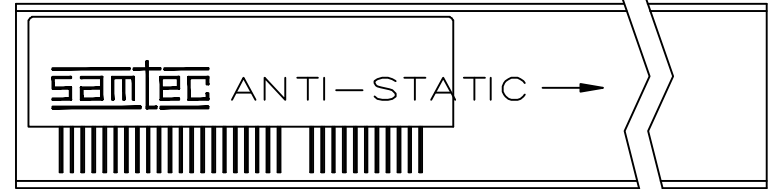
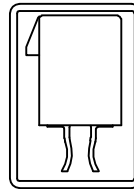


REVISION E

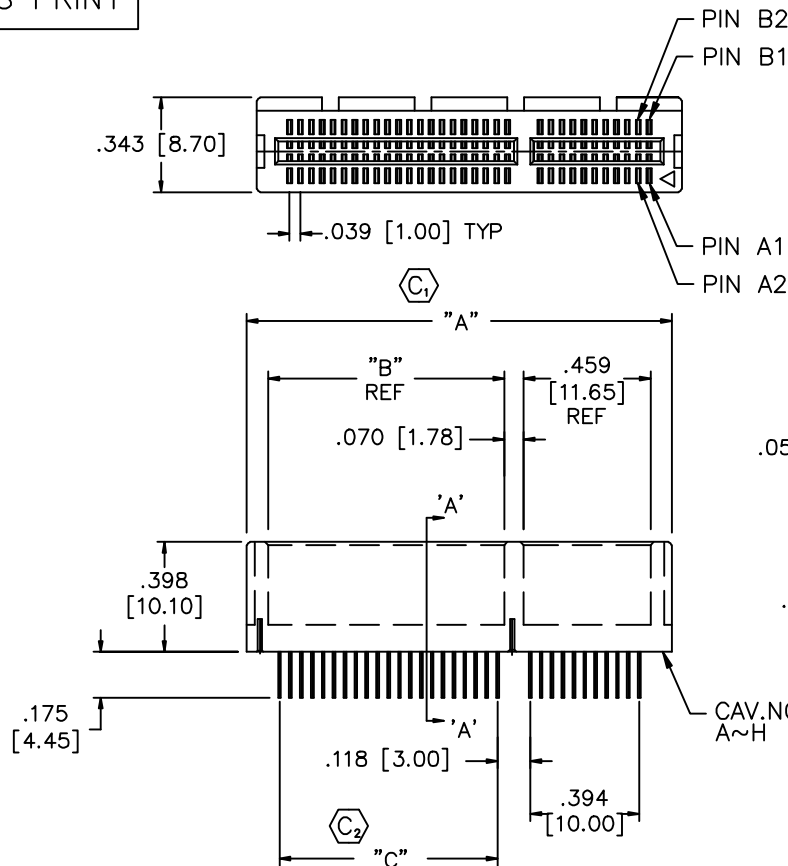
NOTES:

1. $\text{\textcircled{C}}$ REPRESENTS CRITICAL DIMENSION.
2. PARTS ARE ROHS COMPLIANT.
3. PARTS TO BE PACKAGED IN TUBES.
(PT-1-24-01-52 & TP-13)

DO NOT SCALE FROM THIS PRINT



TUBE VIEW



PCIE-XXX-02-X-D-EM2

POSITIONS
-036,-064,-098,-164
(SEE TABLE 1)

LEAD STYLE
-02: .062 [1.57] THICK CARD

$\text{\textcircled{C}_3}$ PLATING
-F: .000003 GOLD ON MATING AREAS,
BRIGHT ACID TIN ON TAILS

TAIL OPTION
-EM2: EDGE MOUNT
.062 [1.57] THICK PCB

ROW SPECIFICATION
-D: DOUBLE

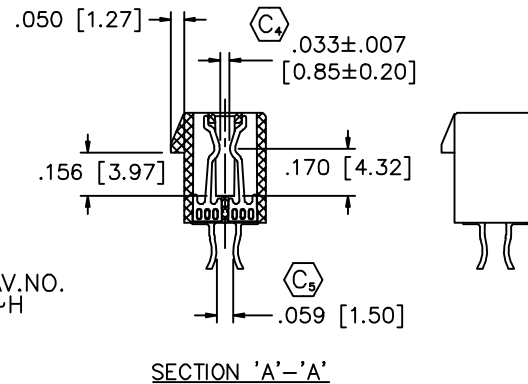


TABLE 1

POSITIONS	"A"	"B"	"C"	"D"	"E"
-036	.984 [25.00]	.301 [7.65]	.236 [6.00]	.236 [6.00]	.321 [8.15]
-064	1.535 [39.00]	.852 [21.65]	.787 [20.00]	.787 [20.00]	.872 [22.15]
-098	2.205 [56.00]	1.522 [38.65]	1.457 [37.00]	1.457 [37.00]	1.541 [39.15]
-164	3.504 [89.00]	2.821 [71.65]	2.756 [70.00]	2.756 [70.00]	2.840 [72.15]

UNLESS OTHERWISE SPECIFIED,
DIMENSIONS ARE INCHES [MM].
TOLERANCES ARE:
DECIMALS HOLES
.X: ±.10 .X: ±.10
.XX: ±.020 .XX: ±.015
.XXX: ±.015 .XXX: ±.010

PROPRIETARY NOTE
THIS DOCUMENT CONTAINS INFORMATION
CONFIDENTIAL AND PROPRIETARY TO
SAMTEC INC. AND SHALL NOT BE
REPRODUCED OR TRANSFERRED TO
OTHER DOCUMENTS OR DISCLOSED TO
OTHERS OR USED FOR ANY PURPOSE
OTHER THAN THAT FOR WHICH IT WAS
OBTAINED WITHOUT THE EXPRESSED
WRITTEN CONSENT OF SAMTEC INC.

DO NOT SCALE DRAWING
INSULATOR: NYLON 6T, 30% REINFORCED GLASS (RATED UL94V-0)
COLOR: BLACK
CONTACT: PHOSPHOR BRONZE

SHEET SCALE: 1:2



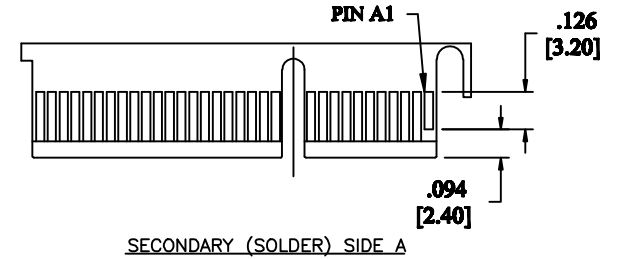
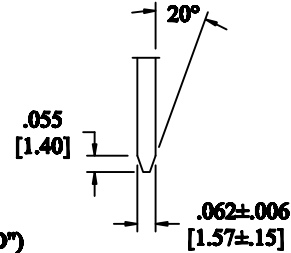
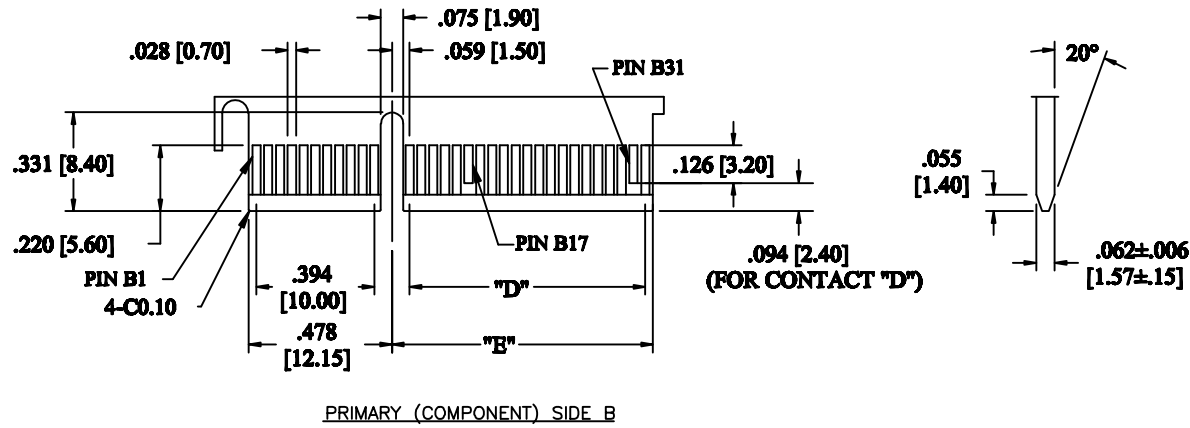
520 PARK EAST BLVD. NEW ALBANY, IN 47150
(812) 944-6733 P.O. BOX 1147 TWX: 810-540-4085

DESCRIPTION:
PCI EXPRESS CARD CONNECTOR

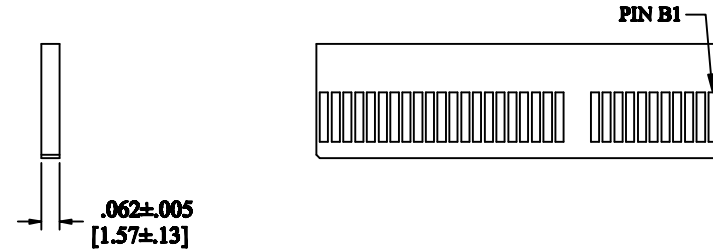
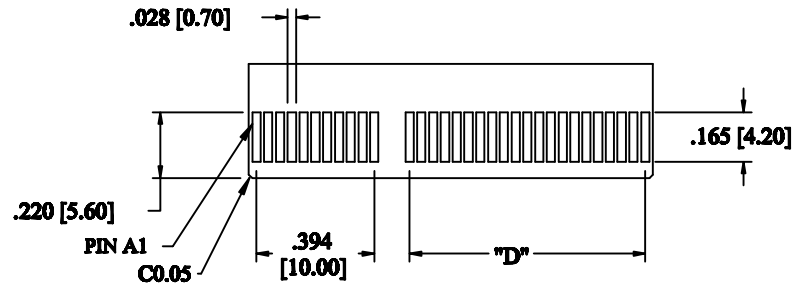
DWG. NO.
PCIE-XXX-02-X-D-EM2

BY: HARPENAU 03/14/05 SHEET 1 OF 2

CODE: 55322



RECOMMENDED MATING CARD LAYOUT



RECOMMENDED PCB LAYOUT

**DO NOT SCALE
FROM THIS PRINT**

TABLE 2	
POSITIONS	"D"
-036	B17
-064	B17, B31
-098	B17, B31, B48
-164	B17, B31, B48, B81

UNLESS OTHERWISE SPECIFIED,
DIMENSIONS ARE INCHES AND
TOLERANCES ARE:

DECIMALS HOLES
 .X: ±.10 .X: ±.10
 .XX: ±.020 .XX: ±.015
 .XXX: ±.015 .XXX: ±.010

PROPRIETARY NOTE
 THIS DOCUMENT CONTAINS INFORMATION
 CONFIDENTIAL AND PROPRIETARY TO
 SAMTEC INC. AND SHALL NOT BE
 REPRODUCED OR TRANSFERRED TO
 OTHER DOCUMENTS OR DISCLOSED TO
 OTHERS OR USED FOR ANY PURPOSE
 OTHER THAN THAT FOR WHICH IT WAS
 OBTAINED WITHOUT THE EXPRESSED
 WRITTEN CONSENT OF SAMTEC INC.

samtec

520 PARK EAST BLVD. NEW ALBANY, INDIANA 47150
 PHONE (812) 944-6733 P.O. BOX 1147
 CODE 55322

MADE BY:
HARPENAU 03/14/05

PCIE-XXX-02-X-D-EM2
SHEET 2 OF 2