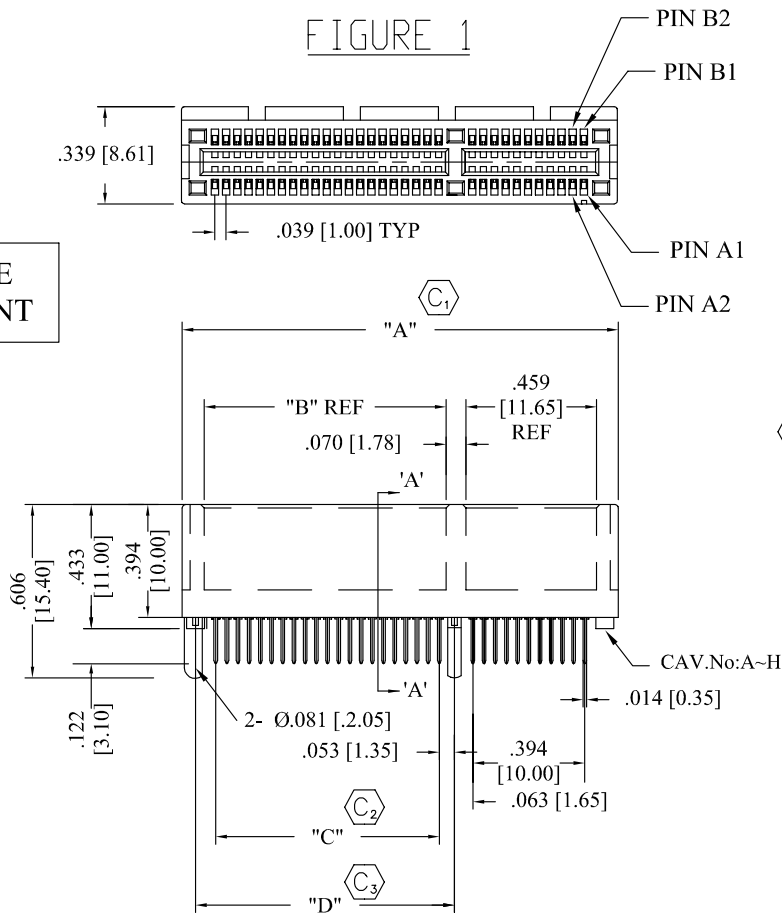


REVISION G

NOTES:

1.  $\text{\textcircled{C}}$  REPRESENTS CRITICAL DIMENSION.
2. PARTS ARE ROHS COMPLIANT.
3. PARTS TO BE PACKAGED IN TUBES.  
(PT-1-24-01-52 AND TP-13)

FIGURE 1



DO NOT SCALE FROM THIS PRINT

PCIE-XXX-02-X-D-TH

POSITIONS  
-036, -064, -098, -164  
(SEE TABLE 1)

LEAD STYLE  
-02: .062 [1.57] THICK CARD

PLATING  
-F: GOLD FLASH ON MATING AREA  
BRIGHT ACID TIN ON TAILS.

TAIL OPTION  
-TH: THROUGH HOLE

ROW OPTION  
-D: DOUBLE ROW

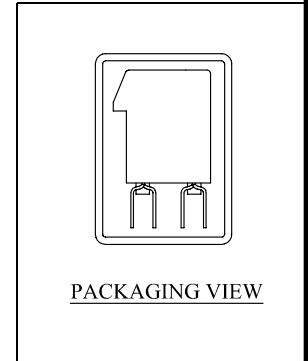
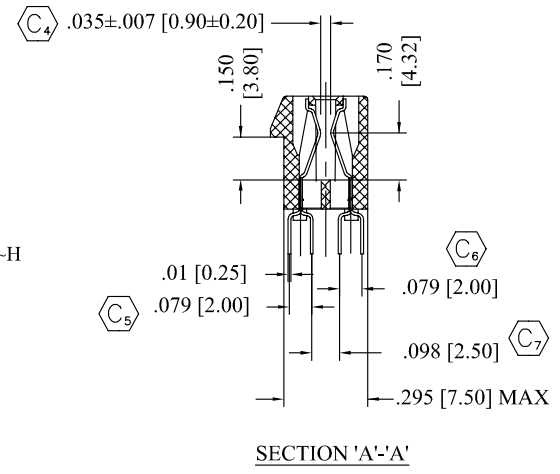


TABLE 1

POSITIONS	"A"	"B"	"C"	"D"	"E"	"F"
-036	.984 [25.00]	.301 [7.65]	.236 [6.00]	.360 [9.15]	.236 [6.00]	.321 [8.15]
-064	1.535 [39.00]	.852 [21.65]	.787 [20.00]	.911 [23.15]	.787 [20.00]	.872 [22.15]
-098	2.205 [56.00]	1.522 [38.65]	1.457 [37.00]	1.581 [40.15]	1.457 [37.00]	1.541 [39.15]
-164	3.504 [89.00]	2.821 [71.65]	2.756 [70.00]	2.879 [73.15]	2.756 [70.00]	2.840 [72.15]

UNLESS OTHERWISE SPECIFIED, DIMENSIONS ARE INCHES [MM]. TOLERANCES ARE:

DECIMALS .X: ±.10 .XX: ±.020 .XXX: ±.015

HOLES .X: ±.10 .XX: ±.015 .XXX: ±.010

**PROPRIETARY NOTE**  
THIS DOCUMENT CONTAINS INFORMATION CONFIDENTIAL AND PROPRIETARY TO SAMTEC INC. AND SHALL NOT BE REPRODUCED OR TRANSFERRED TO OTHER DOCUMENTS OR DISCLOSED TO OTHERS OR USED FOR ANY PURPOSE OTHER THAN THAT FOR WHICH IT WAS OBTAINED WITHOUT THE EXPRESSED WRITTEN CONSENT OF SAMTEC INC.

DO NOT SCALE DRAWING INSULATOR: PB7, 30% REINFORCED GLASS (RATED UL94V-0) COLOR: BLACK CONTACT: PHOSPHOR BRONZE

SHEET SCALE: 1:2

**samtec**

520 PARK EAST BLVD. NEW ALBANY, IN 47150  
(812) 944-6733 P.O. BOX 1147 TWX: 810-540-4085

DESCRIPTION: PCI EXPRESS CARD CONNECTOR

DWG. NO. PCIE-XXX-02-X-D-TH

BY: HARPENAU 03/14/05 SHEET 1 OF 2

CODE: 55322

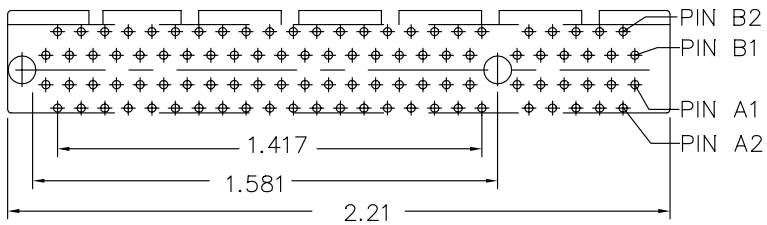


FIGURE 5

RECOMMENDED PCB LAYOUT  
(FOR: -098)

(ALL DIMS ARE THE SAME AS BELOW UNLESS NOTED)

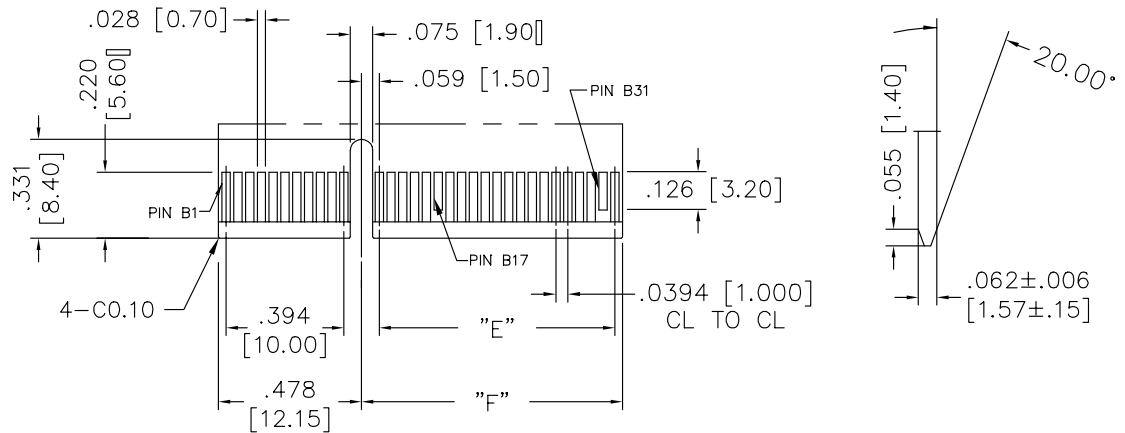


FIGURE 3

Primary (Component) Side

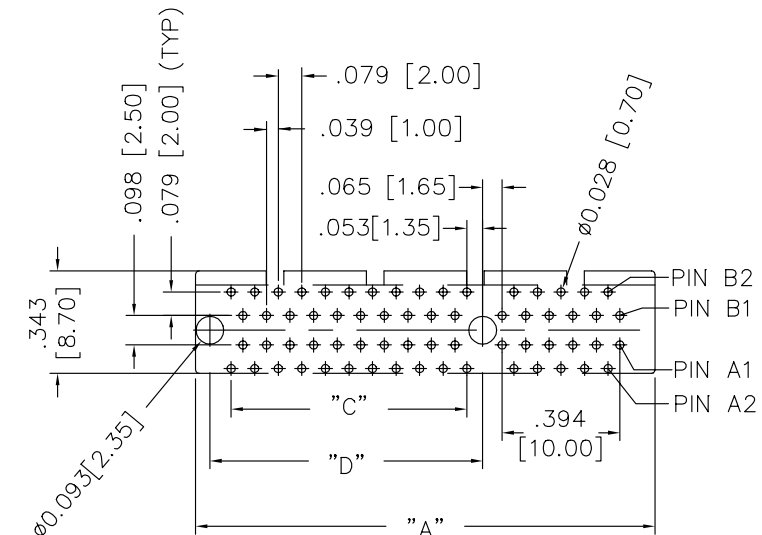


FIGURE 2

RECOMMENDED PCB LAYOUT  
(FOR: -036, -064 & -164)

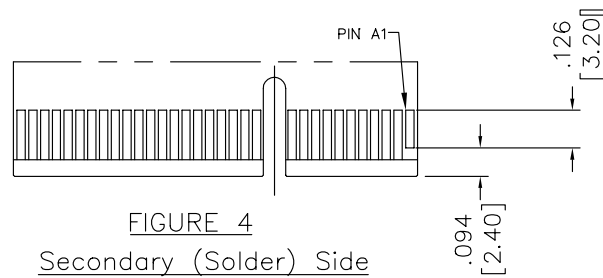


FIGURE 4

Secondary (Solder) Side

F:\DWG\EXISPROD\ASSEMBLY\10\PCI-EXPRESS

UNLESS OTHERWISE SPECIFIED, DIMENSIONS ARE INCHES UNLESS INDICATED OTHERWISE:

DECIMALS	HOLES
.X: ±.10	.X: ±.10
.XX: ±.020	.XX: ±.015
.XXX: ±.015	.XXX: ±.010

**PROPRIETARY NOTE**  
THIS DOCUMENT CONTAINS INFORMATION CONFIDENTIAL AND PROPRIETARY TO SAMTEC INC. AND SHALL NOT BE REPRODUCED OR TRANSFERRED TO OTHER DOCUMENTS OR DISCLOSED TO OTHERS OR USED FOR ANY PURPOSE OTHER THAN THAT FOR WHICH IT WAS OBTAINED WITHOUT THE EXPRESSED WRITTEN CONSENT OF SAMTEC INC.



520 PARK EAST BLVD. NEW ALBANY, INDIANA 47150  
PHONE (812) 944-6733 P.O. BOX 1147  
CODE 55322

MADE BY:  
HARPENAU 03/14/05