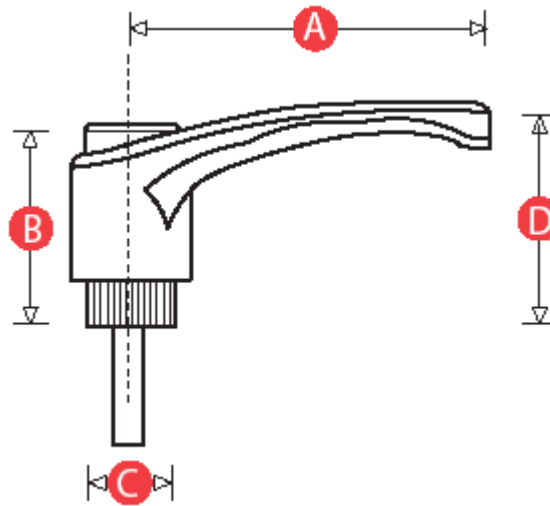


Clamping Handle

Male, Nylon



Specifications:

Material : High impact resistant thermoplastic - matt finish.
 Thread material : Zink plated steel.
 Standard colour : Black handle + red cap.

Note: This product consists of 2 parts: the handle and a cap - different colour combinations are possible - there is no addes charge for different coloured caps

Cap Colours:



Specifications Table

Description	A	B	C	D	Thread Size	Thread Length	Weight (g)	Part Number
Clamp HDL M, 43mm Curved PLAS M5 x 15	43	29	12	30	M5	15	17.6	0810002
Clamp HDL M, 43mm Curved PLAS M6 x 15					M6		19.0	0810004
Clamp HDL M, 65mm Curved PLAS M8 x 20	65	38	15	44	M8	20	41.0	0810008
Clamp HDL M, 83mm Curved PLAS M10 x 50	83	47	19	54	M10	50	80.0	0810012
Clamp HDL M, 104mm Curved PLAS M12 x 50	104	56	24	64	M12		121.0	0810018

Disclaimer This data sheet and its contents (the "Information") belong to the Premier Farnell Group (the "Group") or are licensed to it. No licence is granted for the use of it other than for information purposes in connection with the products to which it relates. No licence of any intellectual property rights is granted. The Information is subject to change without notice and replaces all data sheets previously supplied. The Information supplied is believed to be accurate but the Group assumes no responsibility for its accuracy or completeness, any error in or omission from it or for any use made of it. Users of this data sheet should check for themselves the Information and the suitability of the products for their purpose and not make any assumptions based on information included or omitted. Liability for loss or damage resulting from any reliance on the Information or use of it (including liability resulting from negligence or where the Group was aware of the possibility of such loss or damage arising) is excluded. This will not operate to limit or restrict the Group's liability for death or personal injury resulting from its negligence. SPC Multicomp is the registered trademark of the Group. © Premier Farnell plc 2009.

<http://www.farnell.com>
<http://www.newark.com>
<http://www.cpc.co.uk>

