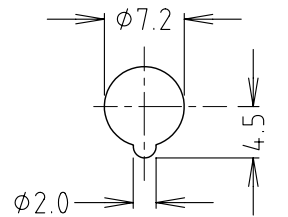
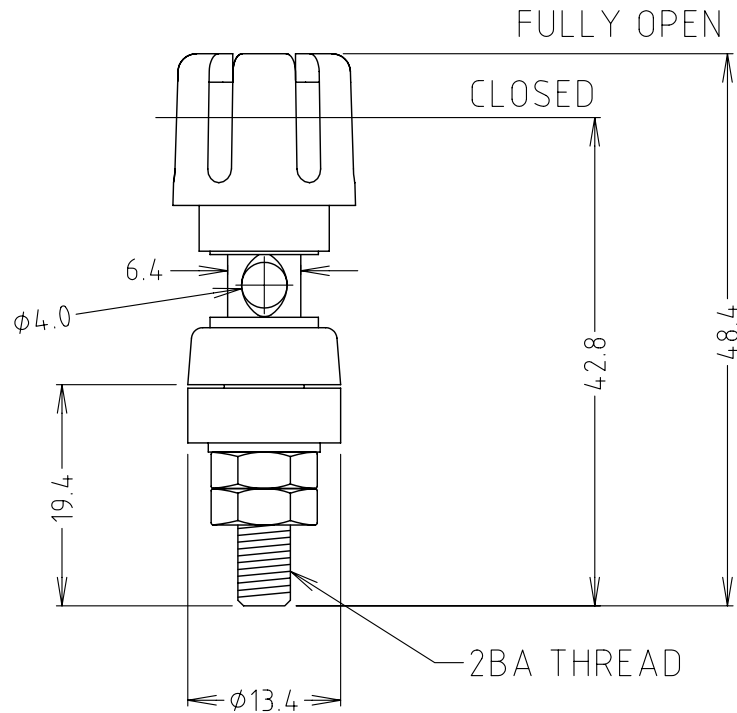


ISS.	AMEND	DATE
1	1st Drawn	26/6/09



MOUNTING HOLE

VARIANTS				
MODEL	COLOURS			P/No.
	KNOB	TOP INS.	BOT INS.	
TP/6 BLK ASSD	BLK	BLK	BLK	CL159709
TP/6 RED ASSD	RED	RED	BLK	CL159719
TP/6 BLUE ASSD	BLUE	BLUE	BLK	CL159730
TP/6 GREEN ASSD	GREEN	GREEN	BLK	CL159740
TP/6 BROWN ASSD	BROWN	BROWN	BLK	CL159770
TP/6 YELLOW ASSD	YELLOW	YELLOW	BLK	CL159775

**RoHS**  
COMPLIANT

TOLERANCE  
 NO DEC. PLACE ±  
 1 DEC. PLACE ±  
 2 DEC. PLACE ±  
 HOLE DIA. ±  
 ANGLES ± 1/2°  
 UNLESS  
 OTHERWISE STATED

WHERE USED F.R.

SCALE N.T.S.

DIMENSIONS IN MILLIMETERS UNLESS OTHER WISE STATED. WORK TO DIMENSIONS. DO NOT SCALE DRAWING. 3rd ANGLE PROJECTION. REMOVE ALL BURRS. IF IN DOUBT ASK.

**Cliff Electronic Components Ltd.**

76 Holmethorpe Ave., Holmethorpe Ind. Estate,  
 Redhill, Surrey, RH1 2PF, England  
 Tel: 01737-771375 Fax: 01737-766012

MATERIAL POLYPROP / BRASS / POLYAMIDE

FINISH AS MOULDED / NI PLATED

DRAWN CAMJ

APPD. RWT

TITLE TERMINAL POST TP/6 ASSEMBLED

DRWG. No. **CL 159709**

FORM: A4DRWGH