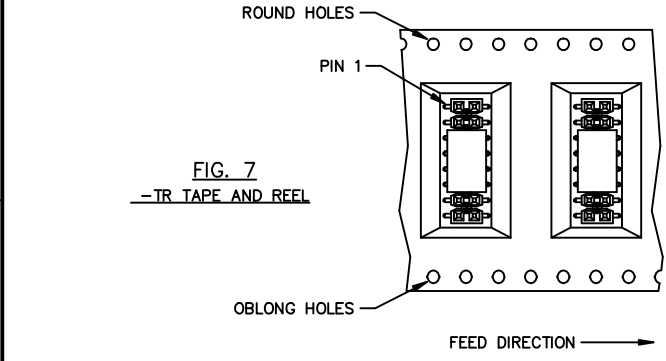
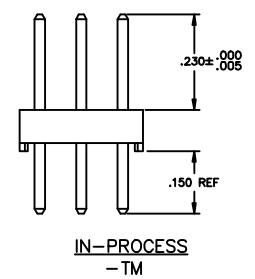
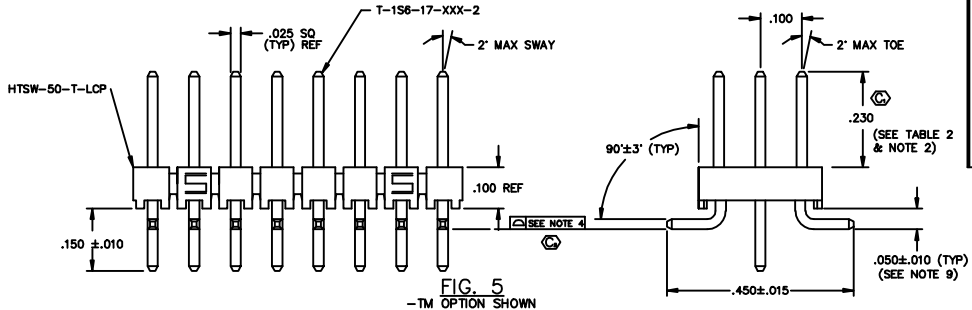
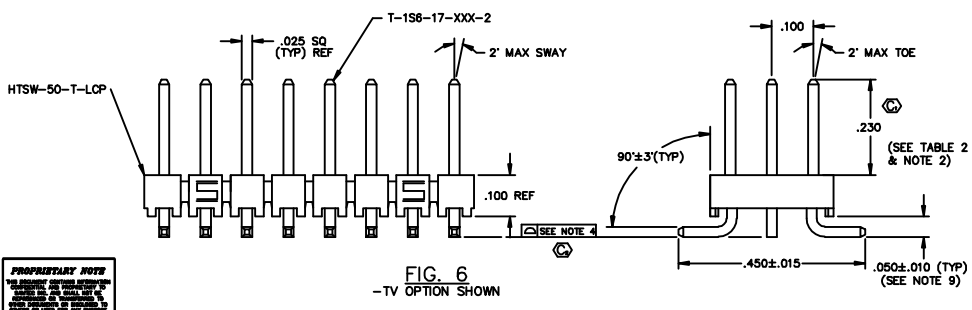
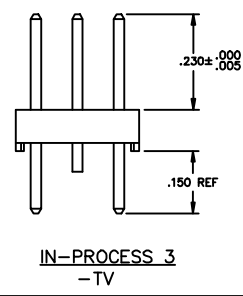
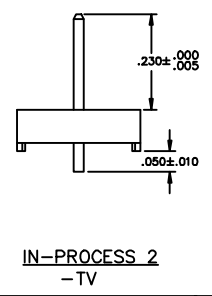
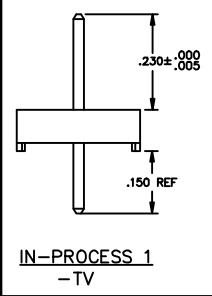
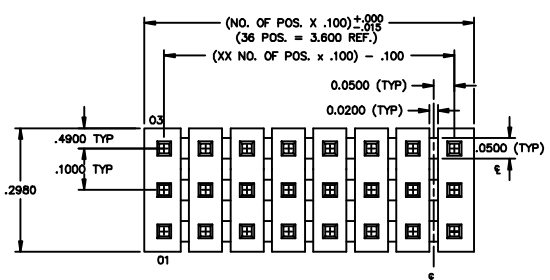


REV CR

DIMENSIONS ARE IN INCHES		TOLERANCES ARE:		TITLE:	DWG NO.:
ONE PLACE DECIMALS ±.1	THREE PLACE DECIMALS ±.005	ANGLES	± 2°	DOUBLE ROW, GULLWING ASM.	TSM-1XX-XX-XXX-XX-X-XXX-X SHEET 2 OF 2
TWO PLACE DECIMALS ±.01	FOUR PLACE DECIMALS ±.0020				

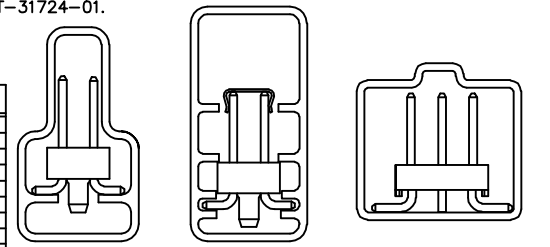


- NOTES:
- ⊙ REPRESENTS A CRITICAL DIMENSION.
 - POST HEIGHT VARIATION BETWEEN ANY TWO PINS SHALL BE .005 MAX.
 - DV OPTION: ⊙ COPLANARITY; POSITIONS -02 THRU -05: .004 POSITIONS -06 THRU -10: .005 POSITIONS -11 THRU -36: .006
 - TV & -TM: ⊙ COPLANARITY; POSITIONS -02 THRU -10: .004 POSITIONS -11 THRU -20: .005 POSITIONS -21 THRU -30: .006
 - LOAD PARTS POS 1 IN SAME DIRECTION AS ARROW.
 - NOTE DELETED
 - TUBE POSITIONS -03 THROUGH -50.
 - TAPE & REEL AVAILABLE ON POSITION -02 THRU -28 ONLY; LEADS MAY NOT BE VISIBLE FOR CUSTOMER'S VISUAL INSPECTION ON SMALLER POSITIONED PARTS WHEN USED WITH -P OR -M OPTION.
 - MEASURE AT BEND RADIUS.
 - MIN PUSHOUT FORCE: 3 LBS.
 - FOR -TV USE T-31724-01.



PACKAGE AS SHOWN
TABLE 4

LEAD STYLE	MOUNT STYLE	OPTION	TUBE	PLUG	NOTE
01, 02, 04, 05	-DV	NONE	PT-1-24-01-29	TP-03	7
01, 02	-DV	-LC, -A	PT-1-24-01-29	TP-03	7
01, 04, 05	-DV	-P	PT-1-24-06-29	TP-03	7
01, 04, 05	-DV	-LC-P, -A-P	PT-1-24-06-29	TP-03	7
02	-DV	-P	PT-1-24-15-29	TP-03	7
02	-DV	-LC-P, -A-P	PT-1-24-15-29	TP-03	7
03	-DV	NONE	PT-1-24-09-29	TP-03	7
03	-DV	-LC, -A	PT-1-24-09-29	TP-03	7
03	-DV	-P	PT-1-24-16-29	TP-03	7
03	-DV	-LC-P, -A-P	PT-1-24-16-29	TP-03	7
04, 05	-DV	-A, -LC	PT-1-24-03-15	TP-03	7
01, 04, 05	-DV	-M, -LC-M, -A-M -LC-A-M	PT-TSM004-DV	TP-03	7
01	-TM	NONE	PT-1-24-02-08	TP-13	7
01	-TV	NONE	PT-1-24-01-70	TP-07	7



SCALE: .75x

PROPRIETARY INFO
THIS PRODUCT OR OTHER INFORMATION
HEREIN IS THE PROPERTY OF SAMTEC
CORPORATION AND IS NOT TO BE
REPRODUCED OR TRANSMITTED IN
ANY FORM OR BY ANY MEANS,
ELECTRONIC OR MECHANICAL,
INCLUDING PHOTOCOPYING, RECORDING,
OR BY ANY INFORMATION STORAGE
RETRIEVAL SYSTEM, WITHOUT THE
WRITTEN CONSENT OF SAMTEC INC.

EXISTING PRODUCTION ASSEMBLY
TSM004M2

samtec

520 PARK EAST BLDG. NEW ALBANY, INDIANA 47150
PHONE (812) 944-6733 P.O. BOX 1147
CODE 95322

DATE BY: BRYANT 4-24-91

TSM-1XX-XX-XXX-XX-X-XXX-X
SHEET 2 OF 2