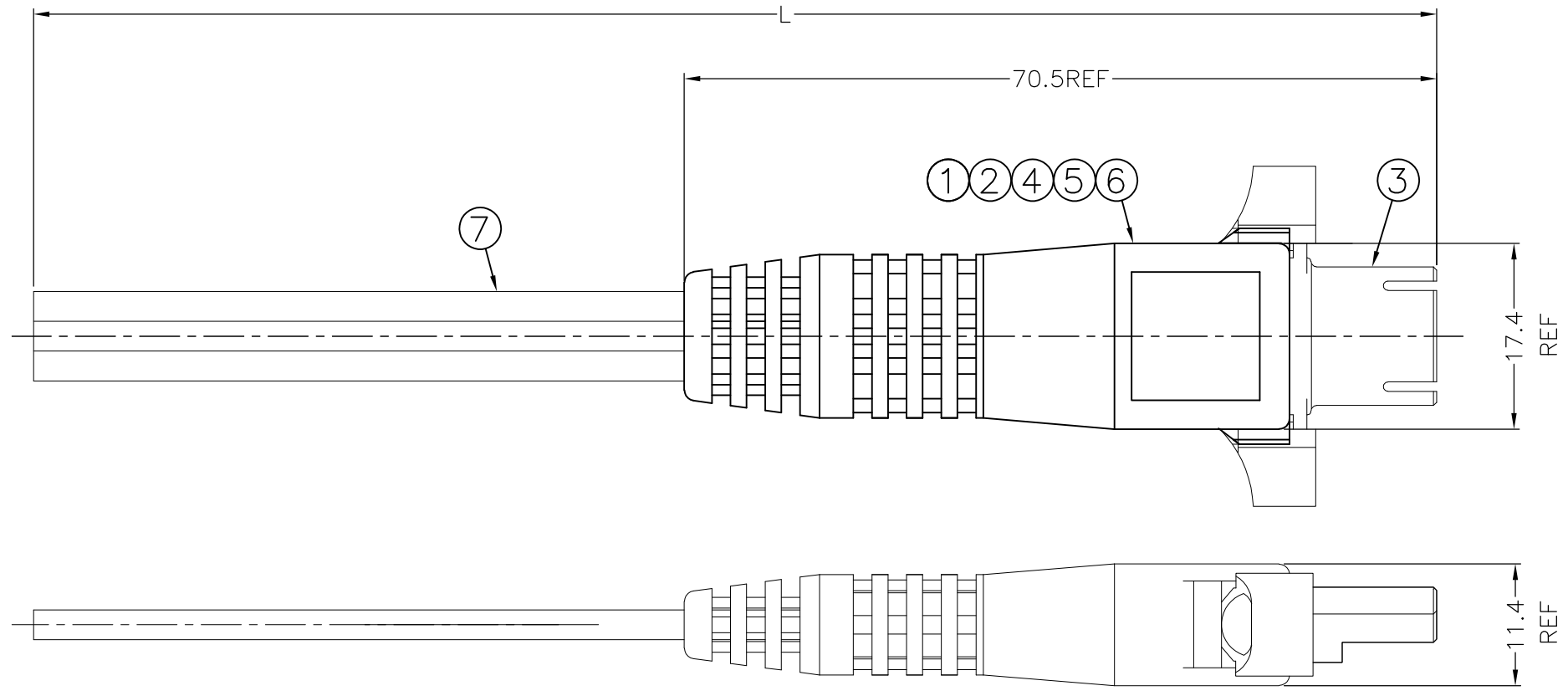


THIS DRAWING IS UNPUBLISHED. RELEASED FOR PUBLICATION
 © COPYRIGHT BY TYCO ELECTRONICS CORPORATION. ALL RIGHTS RESERVED.

LOC	DIST	REVISIONS					
GP	00	P	LTR	DESCRIPTION	DATE	DWN	APVD
			A	NEW RELEASE/RTS 106102	08/APR/08	ECC	JDM



222.0±20.0	2053075-3
1500.0±20.0	2053075-2
800.0±20.0	2053075-1
"L"	TYCO ELECTRONICS P/N

- CABLE: 3XRG174 FLAT, GROOVED
- MATERIAL/PARTS WHICH CONTAIN THE PROHIBITED SUBSTANCE [CLASSIFICATION OF ENVIRONMENT RELATED SUBSTANCE,(1) CLASS I SUBSTANCE FOR 4.2 (PROHIBITED TO USE),ANNEXED TABLE 1] OF ENVIRONMENT RELATED SUBSTANCE CONTROL STANDARD (14-2.5.06) MUST NOT USE IN PRODUCT AND MANUFACTURING PROCESS.
- CADMIUM CONTENT: 5PPM UNDER(ONLY PLASTIC/RUBBER)
- ASSEMBLE PER 114-13098
- PRODUCT AND PROCESSING MUST MEET REQUIREMENTS OF TYCO ELECTRONICS ELECTRICAL STANDARD 230-702 ("ROHS")

A/R	A/R	A/R	FT	DESCRIPTION	ITEM
3	3	3	PC	3C-RG174 COAXIAL CABLE	7
3	3	3	PC	SHIELD CONTACT	6
3	3	3	PC	CENTER CONTACT	5
3	3	3	PC	INSULATOR	4
1	1	1	PC	HOUSING, OUTER W/ FLANGES, KEYED	3
1	1	1	PC	INTERMOLD	2
1	1	1	PC	BOOT, OUTER W/ FLANGES	1
-3	-2	-1	U/M	DESCRIPTION	ITEM

THIS DRAWING IS A CONTROLLED DOCUMENT.		DWN E.C. CLAYBAUGH 08/APR/08	Tyco Electronics Corporation Harrisburg, PA 17105-3608												
DIMENSIONS: mm [INCHES]		CHK J.D. MONTGOMERY 08/APR/08	NAME CABLE ASSY, QSL, 3 PORT W/FLANGE, PIGTAIL												
TOLERANCES UNLESS OTHERWISE SPECIFIED:		APVD J.D. MONTGOMERY 08/APR/08	PRODUCT SPEC												
<table border="0"> <tr><td>0 PLC</td><td>± -</td></tr> <tr><td>1 PLC</td><td>± 0.2</td></tr> <tr><td>2 PLC</td><td>± -</td></tr> <tr><td>3 PLC</td><td>± -</td></tr> <tr><td>4 PLC</td><td>± -</td></tr> <tr><td>ANGLES</td><td>± -</td></tr> </table>		0 PLC	± -	1 PLC	± 0.2	2 PLC	± -	3 PLC	± -	4 PLC	± -	ANGLES	± -	APPLICATION SPEC	
0 PLC	± -														
1 PLC	± 0.2														
2 PLC	± -														
3 PLC	± -														
4 PLC	± -														
ANGLES	± -														
MATERIAL	FINISH	WEIGHT	SIZE	CAGE CODE											
-	-	-	A3	00779											
CUSTOMER DRAWING			DRAWING NO	RESTRICTED TO											
			G-2053075	-											
			SCALE	SHEET											
			N.T.S.	1 OF 1											
			REV	A											