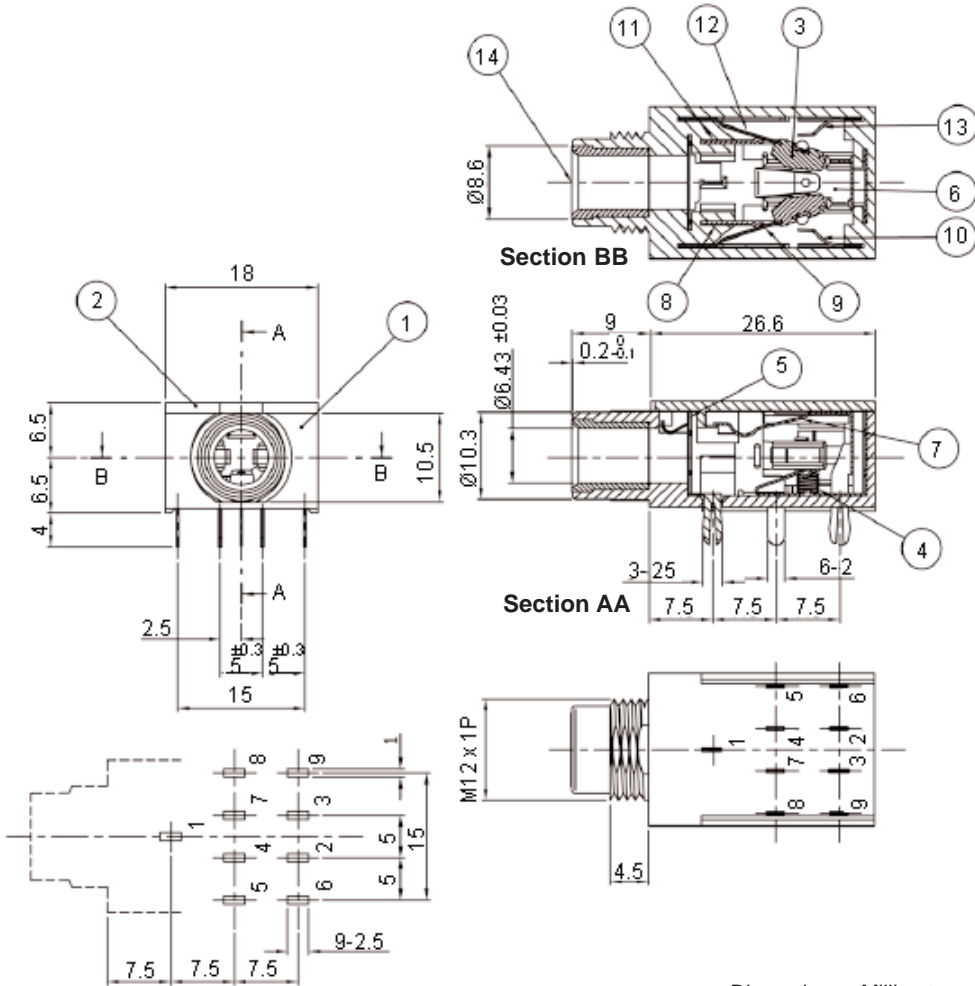


PART NO.

PSG01102

REVISIONS

ECN #	REV	DESCRIPTION	DRAWN	DATE	CHECKD	DATE	APPRVD	DATE
-	A	RELEASED	Veena	31/08/10	Jagan	31/08/10	Farnell	14/09/10



Dimensions : Millimetres

PC Board Hole Layout (Tols: ±0.1)

This data sheet and its contents (the "Information") belong to the Premier Farnell Group (the "Group") or are licensed to it. No licence is granted for the use of it other than for information purposes in connection with the products to which it relates. No licence of any intellectual property rights is granted. The Information is subject to change without notice and replaces all data sheets previously supplied. The Information supplied is believed to be accurate but the Group assumes no responsibility for its accuracy or completeness, any error in or omission from it or for any use made of it. Users of this data sheet should check for themselves the Information and the suitability of the products for their purpose and not make any assumptions based on information included or omitted. Liability for loss or damage resulting from any reliance on the Information or use of it (including liability resulting from negligence or where the Group was aware of the possibility of such loss or damage arising) is excluded. This will not operate to limit or restrict the Group's liability for death or personal injury resulting from its negligence. SPC pro-SIGNAL is the registered trademark of the Group. © Premier Farnell plc 2010.

TOLERANCES:

UNLESS OTHERWISE SPECIFIED, DIMENSIONS ARE FOR REFERENCE PURPOSES ONLY.

DRAWN BY:	DATE:
Veena	31/08/10
CHECKED BY:	DATE:
Jagan	31/08/10
APPROVED BY:	DATE:
Farnell	14/09/10

DRAWING TITLE:

6.35mm Stereo Jack

SIZE A	DWG NO. M10002470	ELECTRONIC FILE 1267402_DWG	REV A
SCALE: NTS		U.O.M.: mm	SHEET: 1 OF 2

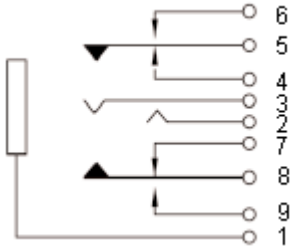


PART NO.

MJ-188LP-8

REVISIONS

ECN #	REV	DESCRIPTION	DRAWN	DATE	CHECKD	DATE	APPRVD	DATE
-	A	RELEASED	Veena	31/08/10	Jagan	31/08/10	Farnell	14/09/10



Circuit Diagram

Specifications

Description	Item	Part Name	Material	Remarks	Part Number
Socket, 6.35mm, Stereo Jack	1	Housing	PC/GF10% Resin	Black	MJ-188LP-8
	2	Cover	PC Resin	Transparent	
	3	Insulator	POM Resin	Black	
	4	Spring	Music Wire	Heat Treated	
	5	Terminal 1	PBs 0.2t	Ag-Plated	
	6	Terminal 2	PBs 0.25t		
	7	Terminal 3	PBs 0.25t		
	8	Terminal 4	Brass 0.4t		
	9	Terminal 5	PBs 0.3t		
	10	Terminal 6	PBs 0.25t		
	11	Terminal 7	Brass 0.4t		
	12	Terminal 8	PBs 0.3t		
	13	Terminal 9	PBs 0.25t		
	14	Rim	Brass	Ni-Plated	

<http://www.farnell.com>  
<http://www.newark.com>  
<http://www.cpc.co.uk>

This data sheet and its contents (the "Information") belong to the Premier Farnell Group (the "Group") or are licensed to it. No licence is granted for the use of it other than for information purposes in connection with the products to which it relates. No licence of any intellectual property rights is granted. The Information is subject to change without notice and replaces all data sheets previously supplied. The Information supplied is believed to be accurate but the Group assumes no responsibility for its accuracy or completeness, any error in or omission from it or for any use made of it. Users of this data sheet should check for themselves the Information and the suitability of the products for their purpose and not make any assumptions based on information included or omitted. Liability for loss or damage resulting from any reliance on the Information or use of it (including liability resulting from negligence or where the Group was aware of the possibility of such loss or damage arising) is excluded. This will not operate to limit or restrict the Group's liability for death or personal injury resulting from its negligence. SPC pro-SIGNAL is the registered trademark of the Group. © Premier Farnell plc 2010.

TOLERANCES:  
UNLESS OTHERWISE SPECIFIED, DIMENSIONS ARE FOR REFERENCE PURPOSES ONLY.

DRAWN BY:	DATE:
Veena	31/08/10
CHECKED BY:	DATE:
Jagan	31/08/10
APPROVED BY:	DATE:
Farnell	14/09/10

DRAWING TITLE:			
6.35mm Stereo Jack			
SIZE	DWG NO.	ELECTRONIC FILE	REV
A	M10002470	1267402_DWG	A
SCALE: NTS		U.O.M.: mm	SHEET: 2 OF 2