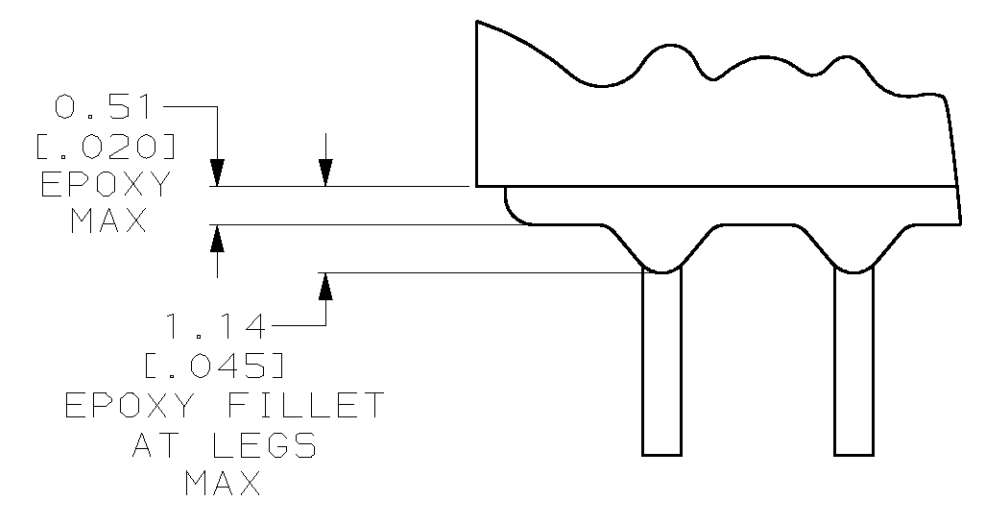
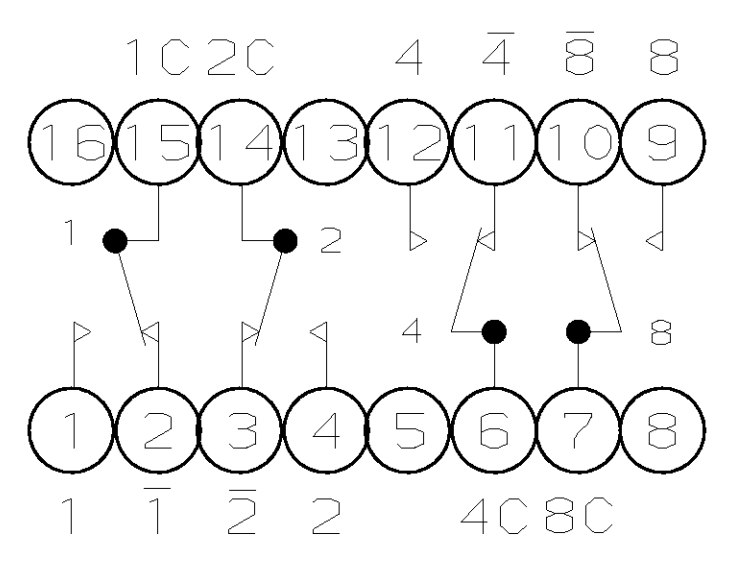


| LOC |     | DIST                            |         | REVISIONS |      |  |  |
|-----|-----|---------------------------------|---------|-----------|------|--|--|
| TR  | LYR | DESCRIPTION                     | DATE    | DWN       | APVD |  |  |
| AG  | 1   | REDRAWN ON CAD PER 0330-0026-96 | 1-8-97  | WS        | JR   |  |  |
| AH  |     | REV PER EC 063C-0381-01         | 02MAY02 | MB        | HW   |  |  |



DETAIL A  
SCALE 10:1

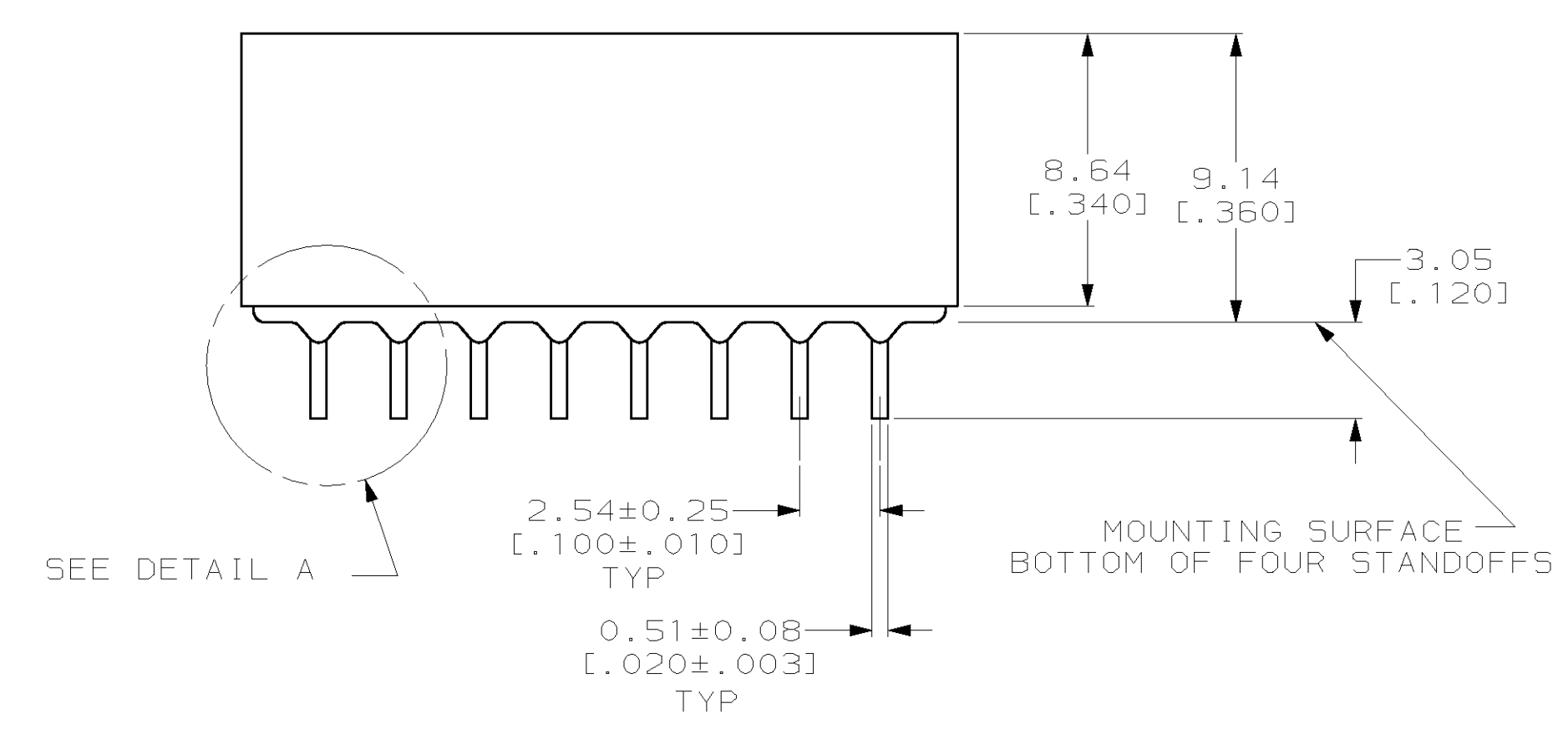
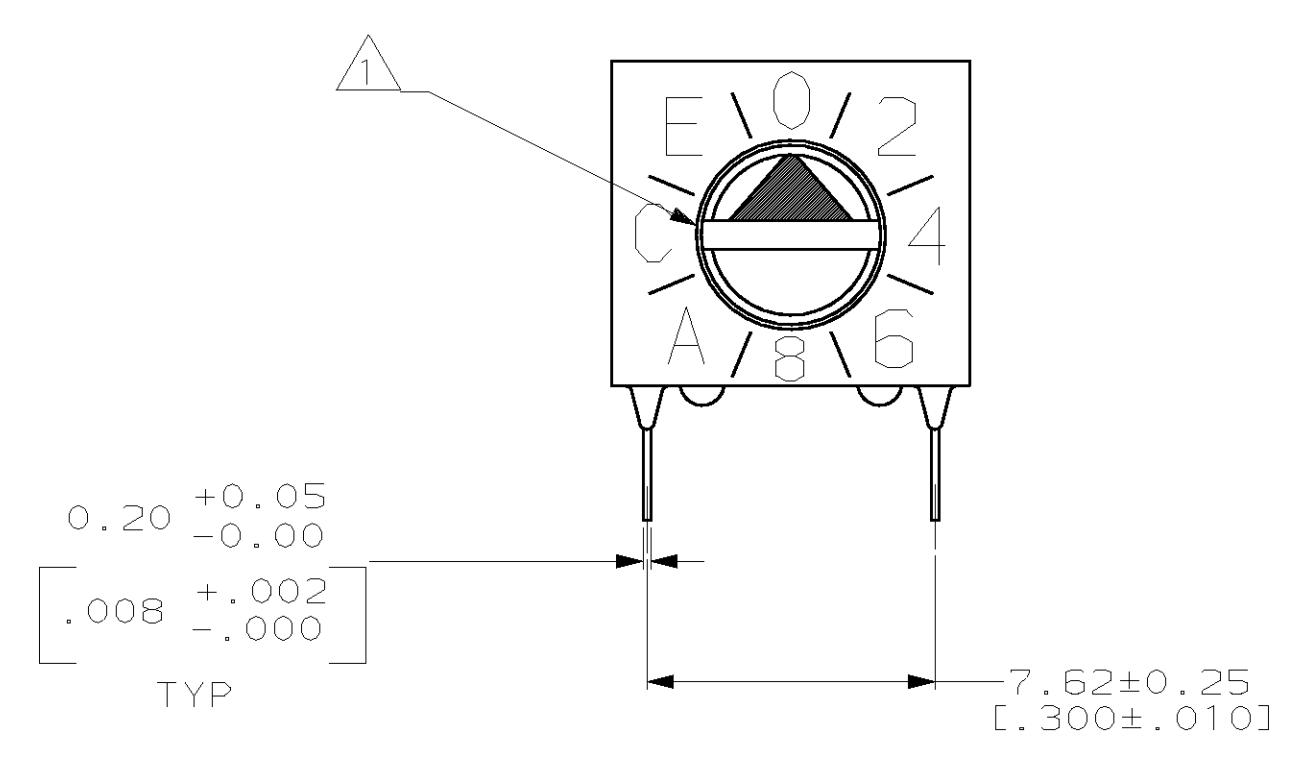
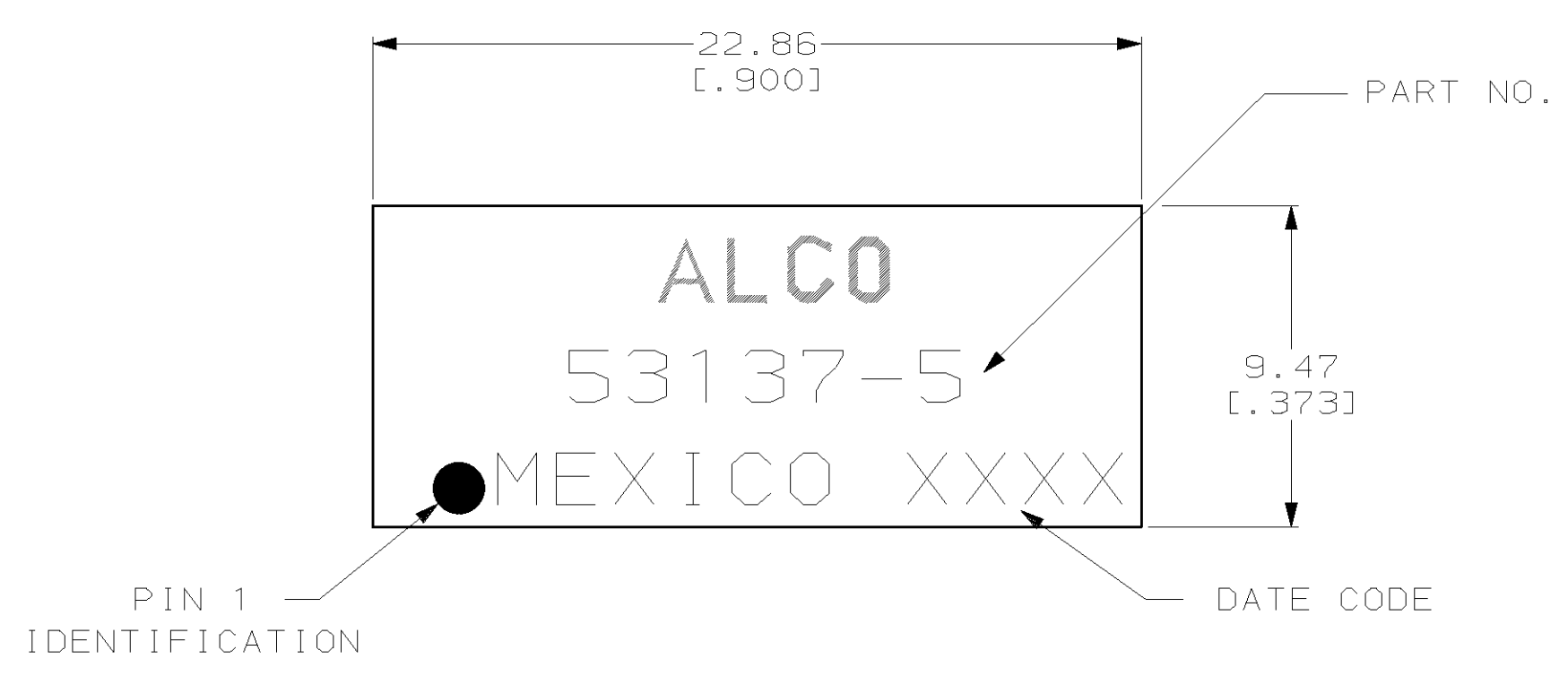


SCHEMATIC  
(POSITION 0)

- △ SLOT FOR SCREWDRIVER ACTUATION.
- 2. FOR ADDITIONAL SPECIFICATIONS SEE AMP PRODUCT SPEC 108-7066 AND INSTRUCTION SHEET 6811.
- 3. SWITCH BOTTOM IS SEALED.
- △ CONTACT FINISH TO BE 0.00076 [.000030] GOLD OVER NICKEL.
- △ MATERIAL:  
HOUSING : BLACK POLYESTER  
CONTACTS : BERYLLIUM COPPER.

|           |   | POSITION |   |   |   |   |   |   |   |   |   |   |   |   |   |   |   |
|-----------|---|----------|---|---|---|---|---|---|---|---|---|---|---|---|---|---|---|
|           |   | 0        | 1 | 2 | 3 | 4 | 5 | 6 | 7 | 8 | 9 | A | B | C | D | E | F |
| COMMON TO | 1 |          | ● |   | ● |   | ● |   | ● |   | ● |   | ● |   | ● |   | ● |
|           | 2 |          |   | ● | ● |   |   | ● | ● |   |   | ● | ● |   |   | ● | ● |
|           | 4 |          |   |   |   | ● | ● | ● | ● |   |   |   | ● | ● | ● | ● | ● |
|           | 8 |          |   |   |   |   |   |   |   | ● | ● | ● | ● | ● | ● | ● | ● |
|           | 1 | ●        |   | ● |   | ● |   | ● |   | ● |   | ● |   | ● |   | ● |   |
|           | 2 | ●        | ● |   |   | ● | ● |   |   | ● | ● |   |   | ● | ● |   |   |
|           | 4 | ●        | ● | ● | ● |   |   |   |   | ● | ● | ● | ● |   |   |   |   |
|           | 8 | ●        | ● | ● | ● | ● | ● | ● |   |   |   |   |   |   |   |   |   |

HEXADECIMAL: WITH COMPLEMENT



53137-5  
PART NUMBER

|   |  |                         |   |
|---|--|-------------------------|---|
| <small>THIS DRAWING IS A CONTROLLED DOCUMENT FOR AMP INCORPORATED. IT IS SUBJECT TO CHANGE AND THE CONTROLLING ENGINEERING DEPARTMENT SHALL BE CONTACTED FOR THE LATEST REVISION.</small> |  | DWN<br>M. SORAH 1-8-97  | AMP Incorporated<br>Harrisburg, PA 17105-3608                         |
| DIMENSIONS (mm [INCHES])<br>TOLERANCES UNLESS OTHERWISE SPECIFIED:<br>0 PLC ±-<br>1 PLC ±-<br>2 PLC ±0.30 [.0123]<br>3 PLC ±-<br>4 PLC ±-<br>ANGLES ±-                                    |  | CHK<br>R. TALLEY 1-8-97 |   |
| MATERIAL: △<br>FINISH: △  |  | APVD<br>J. ROBB 1-8-97  | NAME<br>SWITCH ASSY, PREPROGRAMMED DIP, 16 POSITION, SCREWDRIVER SLOT |
| WEIGHT: -<br>CUSTOMER DRAWING   |  | SIZE<br>A1              | CAGE CODE<br>00779  |
| SCALE: 5:1  |  | DRAWING NO.<br>53137-5  | SHEET 1 OF 1 REV AH   |