

NOTES:

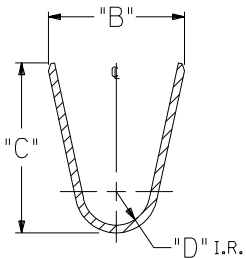
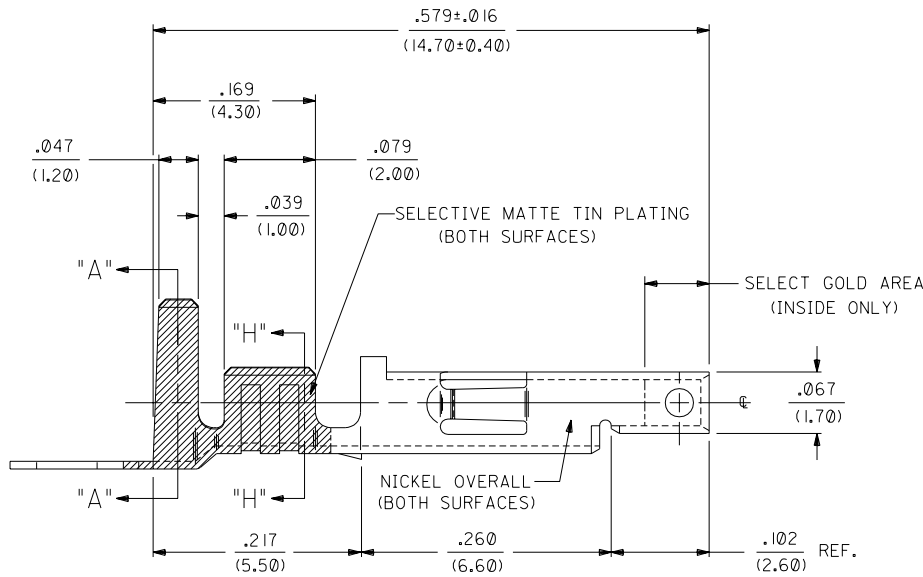
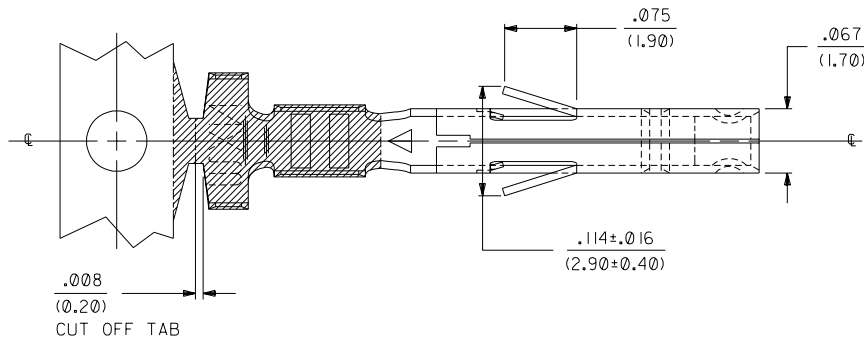
- PART DESIGNED IN METRIC.
- TERMINAL FOR USE WITH 5557 SERIES HOUSINGS.
- MATES WITH 5558, 5566 AND 5569 SERIES CONNECTORS.
- REFER TO DWG. NO. CS-5556*/5558* FOR CRIMP SPECIFICATIONS.
- PRODUCT SPECIFICATION AND PROCESSING PARAMETERS SEE: PS-5556-001, PS-5556-002, PS-5556-003

MATERIAL:

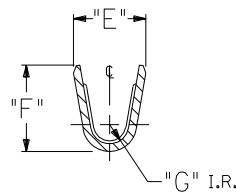
- CDA 260 BRASS, .0080±.0004/(0.203±0.010) THICK.
- CDA 510 PHOS. BRONZE .0080±.0004/(0.203±0.010) THICK.

PLATING:

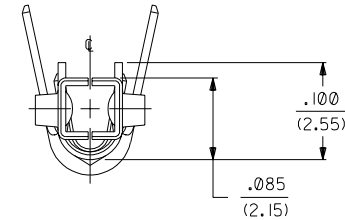
- A. SELECTIVE GOLD PLATE .000030/(0.00076) MIN., AND SELECTIVE MATTE TIN .000100/(0.00254) OVER .000050/(0.00127) NICKEL OVERALL.
 - B. SELECTIVE GOLD PLATE .000015/(0.00038) MIN., AND SELECTIVE MATTE TIN .000100/(0.00254) OVER .000050/(0.00127) NICKEL OVERALL.
 - C. SELECTIVE GOLD PLATE .000050/(0.00127) MIN., AND SELECTIVE MATTE TIN .000100/(0.00254) OVER .000050/(0.00127) NICKEL OVERALL.
- THE PRIMARY SHIPPING CARTON WILL BE LABELED "COMPLIANT TO RoHS DIRECTIVE 2002/95/EC AND ELV ANNEX II OF DIRECTIVE 2000/53/EC." CARTONS WITHOUT THIS LABEL MAY CONTAIN PRODUCT WITH TIN-LEAD PLATING.



SECT. "A-A"



SECT. "H-H"



F	ADD PS NOTE UCP2004-1755 3/11/2004 MSC
E	ADD PS NOTE UCP2003-0365 8/29/2002 SAMIEC
D	REV. 28-30 CA.DIM ECN #140405 94-04-06 A.GUZZIK
C4	ADDED EDP'S PER ECN U21346 9-9-92 RJF
C3	REVISED 28-30 AWG ECN U21318 9-3-92 RJF
C2	REVISED PER ECN U20109 2-19-92 RJF
C1	ADDED 30AWG CRIMP ECN U12258 12-2-91 RJF
C	ADDED 14AWG CRIMP ECN U12028 10-15-91 RJF
B	REDRAWN PER ECR U100382 5-17-90 RJF

2	D
1	F

DIMENSIONS SHOWN (METRIC) INCH UNLESS OTHERWISE SPECIFIED TOLERANCES: ANGULAR ± 1/2°		▽ = 0 ▽ = 0 REVISION ONLY ON CAD SYSTEM																	
<table border="1"> <tr> <th colspan="2">INCH</th> <th colspan="2">METRIC</th> </tr> <tr> <td>3 PLACE</td> <td>± .010</td> <td>---</td> <td>---</td> </tr> <tr> <td>2 PLACE</td> <td>± .014</td> <td>± 0.25</td> <td>---</td> </tr> <tr> <td>1 PLACE</td> <td>---</td> <td>± 0.36</td> <td>---</td> </tr> </table>		INCH		METRIC		3 PLACE	± .010	---	---	2 PLACE	± .014	± 0.25	---	1 PLACE	---	± 0.36	---	TITLE TERMINAL, MINI-FIT JR., FEMALE, CRIMP, SELECT GOLD BLANK-PLATE-FORM	
INCH		METRIC																	
3 PLACE	± .010	---	---																
2 PLACE	± .014	± 0.25	---																
1 PLACE	---	± 0.36	---																
DRAWING INFORMATION		SHEET NO. DATE																	
DRWG. NO. SD-5556-GSP* FILE NAME 55556.IX1 APP'D. BY RAS SCALE 10:1 DESIGNED BY GEP CHECK'D BY RJF DATE 5/17/90		MOLEX INCORPORATED U.S.A. LITSL, ILL. 60532 SHEET NO. 1 OF 2 DATE 5/17/90																	
DRAFT WHERE APPLICABLE MUST REMAIN WITHIN DIMENSIONS THIS DRAWING CONTAINS INFORMATION THAT IS PROPRIETARY TO MOLEX INC. AND SHOULD NOT BE USED WITHOUT WRITTEN PERMISSION																			

5556