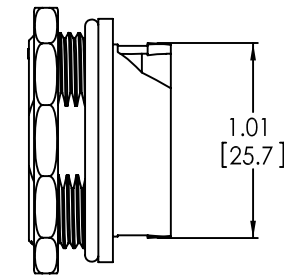
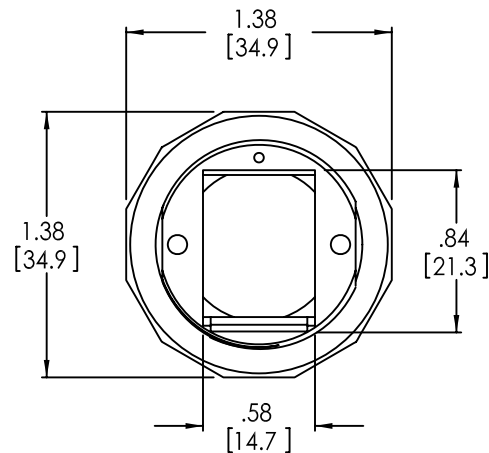
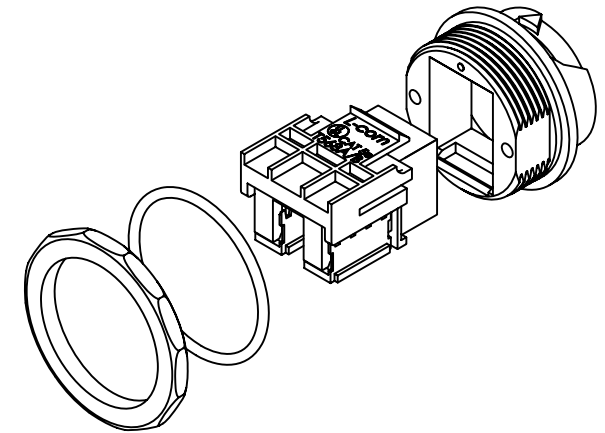
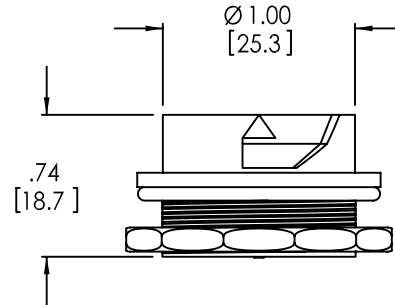
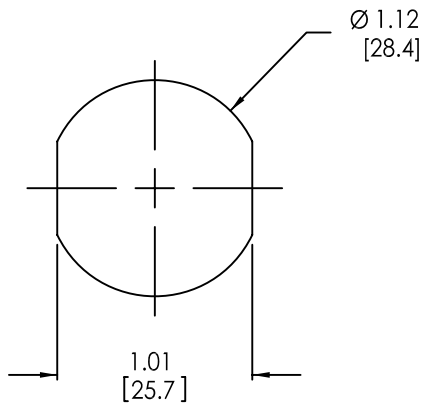


THE INFORMATION CONTAINED IN THIS DRAWING IS THE SOLE PROPERTY OF L-COM, INC. ANY REPRODUCTION IN PART OR WHOLE WITHOUT THE WRITTEN PERMISSION OF L-COM, INC. IS PROHIBITED.

REVISIONS			
REV	DESCRIPTION	DATE	APPROVED
A	INITIAL RELEASE	05/17/07	C.BERUBE



NOTES:

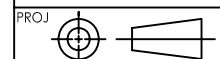
MATERIAL

HOUSING: THERMOPLASTIC
 NUT: STEEL
 GASKET: RUBBER

MISCELLANEOUS

ASSEMBLY TO BE INDIVIDUALLY PACKED IN A POLY BAG
 ASSEMBLY TO BE ROHS COMPLIANT
 ALL DIMS ARE FOR REFERENCE ONLY
 KIT IS SHIPPED UN-ASSEMBLED.

DIMENSIONS ARE IN INCHES [mm]
 UNLESS OTHERWISE SPECIFIED,
 TOLERANCES TO BE:
 .X ± .1 [2.5] ANGLES ± 2°
 .XX ± .01 [25]
 .XXX ± .005 [1.3]
 OVERALL CABLE LENGTH TOL:
 ≤ 60 [1524] +3 [76.2] / -0
 > 60 [1524] +5% / -0%



APPROVALS	DATE
DRAWN BY C.BERUBE	05/17/07
CHECKED BY J.ROBERTS	05/17/07
APPROVED BY J.ROBERTS	05/17/07

CONFIGURATION DETAILS OF
 UNDIMENSIONED FEATURES
 MAY VARY

L-com CONNECTIVITY PRODUCTS		45 BEECHWOOD DRIVE NORTH ANDOVER, MA 01845	
CATEGORY		MODULAR	
PRODUCT DESCRIPTION		RJ-45 RECEPTACLE IP67 RATED	
SIZE A	FSCM NO. 43321	DWG. NO. WT671105FM	REV. A
SCALE: NONE	CAD FILE: WT671105FM.DWG	SHEET 1 OF 1	