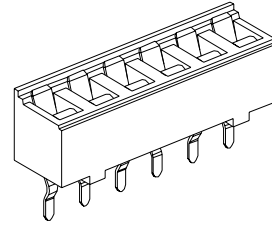
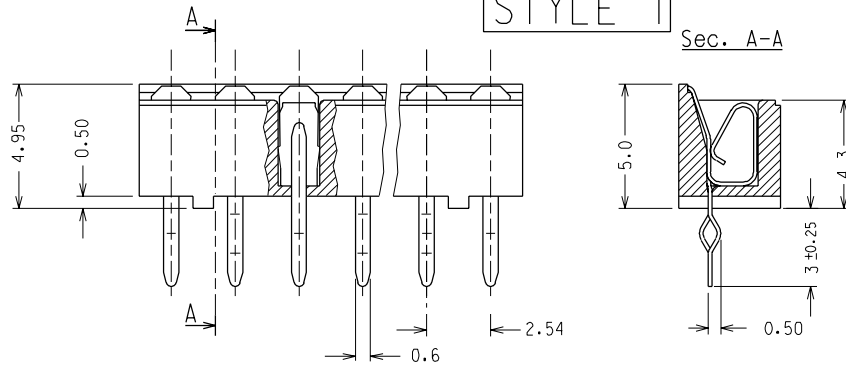


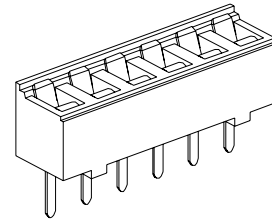
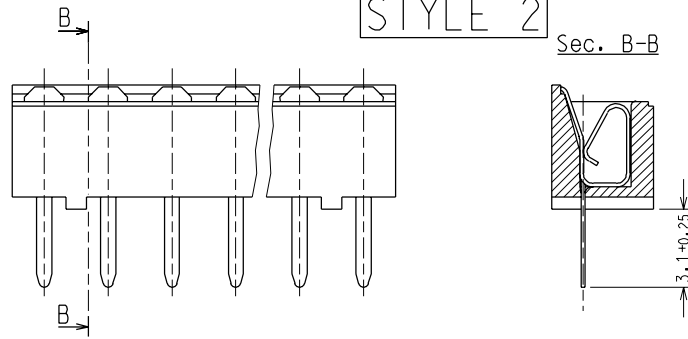
# STYLE 1

Sec. A-A

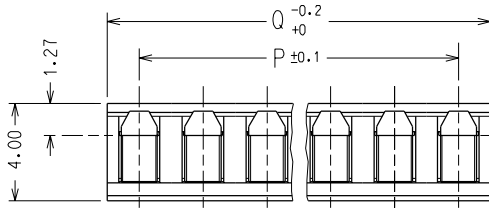


# STYLE 2

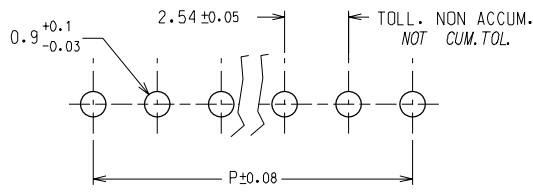
Sec. B-B



STYLE 1 CODICE P/Nos	STYLE 2 CODICE P/Nos	N° VIE CKTS	DIMENSIONI DIMENSIONS		STANDARD PACKING QUANTITY
			P	Q	
94100 - 0107	94100 - 0207	7	15.24	17.78	12480
94100 - 0108	94100 - 0208	8	17.78	20.32	10816
(NOT TOOLED)	(NOT TOOLED)	9	20.32	22.86	9568
94100 - 0110	94100 - 0210	10	22.86	25.40	8736
94100 - 0112	94100 - 0212	12	27.94	30.48	7072
94100 - 0114	94100 - 0214	14	33.02	35.56	6240
94100 - 0116	94100 - 0216	16	38.10	40.64	5408
94100 - 0120	94100 - 0220	20	48.26	50.80	4160
(NOT TOOLED)	94100 - 0235	35	86.36	88.90	2496



FORATURA RACCOMANDATA SUL C.S.  
RECOMMENDED PCB LAYOUT



- \*) Forza di inserzione nel C.S.  
max 50 g. per pin
- \*) Insertion force into the  
PCB holes: 50 gr/pin max
- \*) Forza di ritenzione nel C.S.  
min 5 g. per pin
- \*) Retention force in the  
PCB holes: 5 gr/pin min

SOLO PER STILE 1  
FOR STYLE 1 ONLY

MATERIALE / MATERIAL:

HOUSING: PBT NERO 30% F.V. UL 94 V0  
HOUSING: BLACK PBT, 30% G.F.JUL 94 V 0

CONTATTI: BRONZO FOSFOROSO spess. 0.15 mm  
FINITURA: PRESTAGNATO  
CONTACTS: PHOSPHOR BRONZE, 0.15 mm THICK  
FINISH: PRETINNED

CONFEZIONAMENTO: IN TUBI  
PKG: IN TUBES

STD. DESCR. FOR STYLE 1: "SIP SOCKET KINKED (insert circuit number) CKT"  
FOR STYLE 2: "SIP SOCKET (insert circuit number) CKT"

REV	DESCRIPTION	QUALITY SYMBOLS	GENERAL TOLERANCES: (UNLESS SPECIFIED)		SCALE	DESIGN UNITS	FIRST ANGLE PROJECTION	DIMENSIONS:		SHT	REV	
			mm	INCH				mm	INCH			
1	EC NO. Z2002-0018 DRWNS: S. BARBIERI 29-08-01 CHK: M. TESTAGUZZA 29-08-01 APPR: R. MARTUCCI 29-08-01	MAJOR M = SIGNIF. S = CRITICAL C =	±0.	±.	5:1	<input checked="" type="checkbox"/> mm <input type="checkbox"/> INCH	<input type="checkbox"/> mm <input type="checkbox"/> INCH <input checked="" type="checkbox"/> mm ONLY					
			4 PLACES	±0.	±.							
			3 PLACES	±0.	±.							
			2 PLACES	±0.1	±.							
			1 PLACE	±0.	±.							
			ANGULAR: ±		°							
			DRAFT WHERE APPLICABLE MUST REMAIN WITHIN DIMENSIONS									
			THIS DRAWING CONTAINS INFORMATION THAT IS PROPRIETARY TO MOLEX INCORPORATED AND SHOULD NOT BE USED WITHOUT WRITTEN PERMISSION.									
			DRAWN BY & DATE E. FASOLO 10-02-97							TITLE: ZOCOLO IN SINGOLA FILA "SINGLE IN LINE" SOCKET		
			CHECKED BY & DATE S. SORATO 10-02-97							MOLEX INCORPORATED		
			APPROVED BY & DATE M. PREVIATO 10-02-97							DRAWING NO. SD-94100-001		
			CAD FILENAME							SHEET NO. 1/1		
			MATERIAL NO. VEDI TABELLA SEE CHART							SIZE A3		